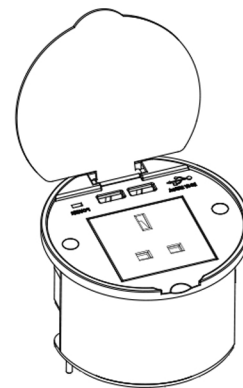


INSTALLATION  
INSTRUCTIONS

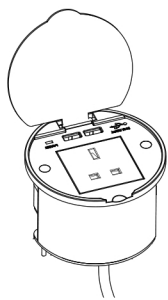
1 x SENSIOPower  
RECESSED SINGLE  
POWER SOCKET



**CODE: SE890900**

**IMPORTANT:** Please read these instructions before commencing installation and retain for future reference.

**Components**



1 x Sensio Power single socket with cable & 13Amp plug

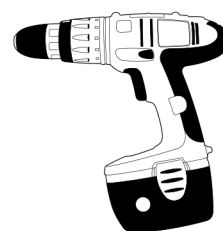


1 x Instructions

**Tools Required**



96mm Hole Cutter



Power Drill

**Important Safety Information**

Please read these instructions carefully before attempting to install this product. It is advisable to keep these instructions in a safe place for future reference.

We recommend that you consult a qualified electrician. All electrical installation must be carried out in accordance with current IEE wiring regulations (BS7671).

This product must not be modified, if any modification are made, it may invalidate the warranty and may render the product unsafe.

This product is to be used indoors only.

- Install on a smooth flat surface(s) only.
- This product is not protected against liquids, do not place close to water.
- 220-240V~50-60Hz
- Max. 13A

**USB Charging Specification**

- Output voltage: 5VDC.
- Output current: Max. 2100mA

**Please note:** 2100mA is split across two USB ports. When charging iPhones it is possible to use both ports. When charging iPads please only use one port.

**Safety Instructions**

1. Before commencing installation or maintenance, isolate the main electrical supply for the appropriate circuit at the fuse board.
2. This product is only suitable for connecting to a 240V 50Hz supply.
3. The product should be mounted onto a secure surface.
4. This is a Class I product and must be earthed.

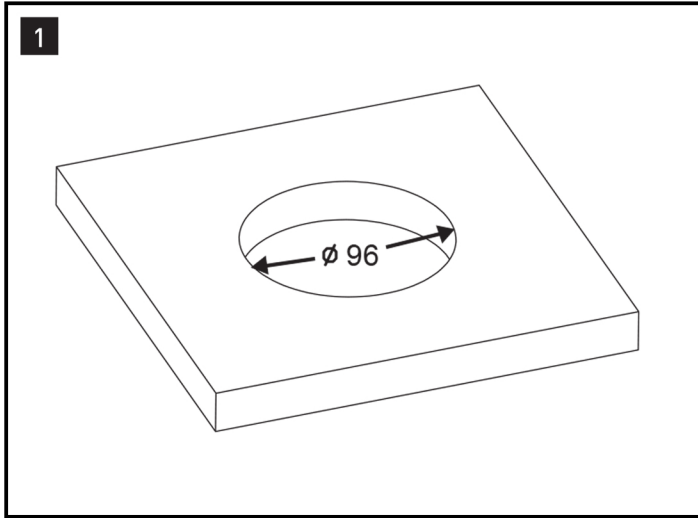
**Waste Electrical & Electronic Equipment (WEEE)**

The symbol on the product, or on the document accompanying the product, the crossed out wheellie bin symbol, indicates that this product may not be treated as household waste. Instead it shall be handed over to the applicable collection point for the recycling of electrical and electronic waste.

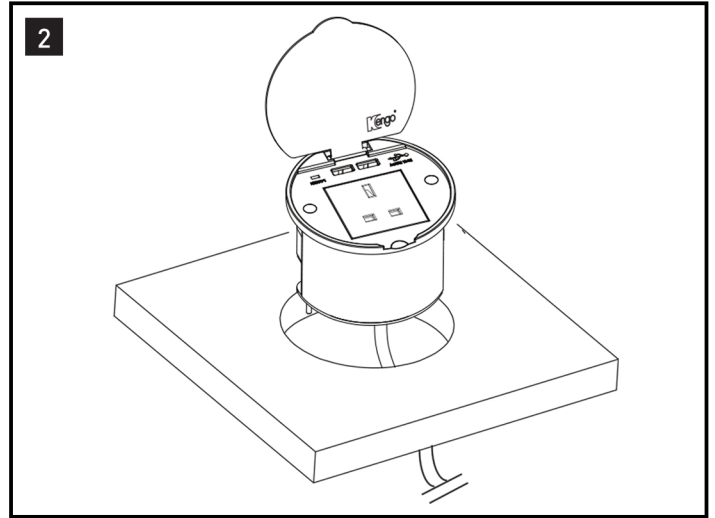


**RoHS**  
Compliant ✓

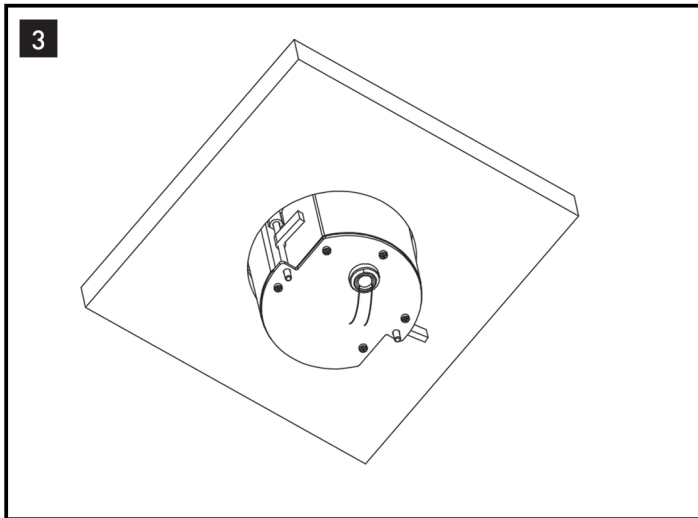




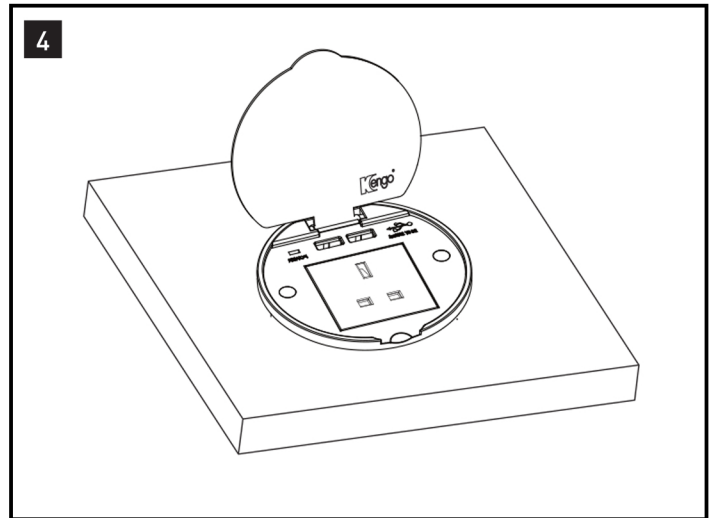
1  
Cut a 96mm diameter hole into the work surface. Allow a minimum of 25mm clearance surrounding the cut out. The mounting board thickness should be a minimum of 14mm and a maximum of 50mm.



2  
Insert the product into the hole cut out.



3  
Tighten the screws to securely fix the product to the board. Then place the protective screw cap covers over the screws.



4  
Connect the 13Amp plug to the mains supply and turn on the power.

## Maintenance & Care

- Ensure that the power is disconnected prior to cleaning.
- To keep the finish of this product, wipe over with soft cloth periodically.
- Do not use harsh chemical solvents, this may dis-colour or damage the finish.
- Clean the socket with a damp cloth and mild detergent, dry immediately.