

**IMPORTANT:** please read these instructions before commencing installation and retain for future reference.

## Components

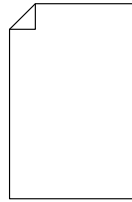
## Tools required



1 x Opus LED Reading Light



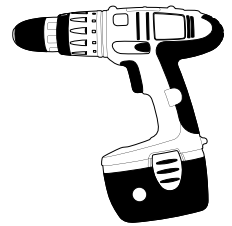
3 x screws



1 x Fitting Instructions



PZ1 Screw Bit



Power Drill

## Important safety information

Please read these instructions carefully before attempting to install this product. It is advisable to keep these instructions in a safe place for further reference.

**We recommend that you consult a qualified electrician. All electrical installations must be carried out in accordance with current IEE wiring regulations (BS7671).**

These products must not be modified, if any modifications are made, it may invalidate the warranty and may render the product unsafe. These LED lights operate low voltage (12V).

**Do not wire the individual LED light fittings directly to the mains. This product is for indoor use only.**

- If in doubt installation must be carried out by a qualified electrician.
- Install on smooth flat surface(s) only.
- Do not exceed or stretch the cable length of each LED wire.
- If in doubt regarding these installations, consult a qualified electrician.

## Safety instructions

1. Before commencing installation or maintenance, isolate the main electrical supply for the appropriate circuit at the fuse board.
2. This product is only suitable for connecting to a 240V 50Hz supply. The light should be mounted onto a secure surface.
3. Each fitting has a wattage of 1.7W.
4. Suitable for furniture lighting.
5. When the lamp expires the fitting must be replaced.
6. Class III safety extra low voltage (SELV)

### Waste Electrical & Electronic Equipment (WEEE)

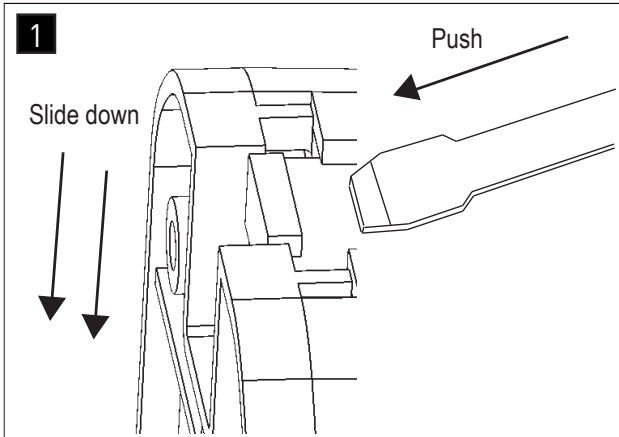
The Symbol on the product, or on the document accompanying the product, the crossed out wheeie bin symbol, indicated that this product may not be treated as household waste. Instead it shall be handed over to the applicable collection point for the recycling of electrical and electronic waste.



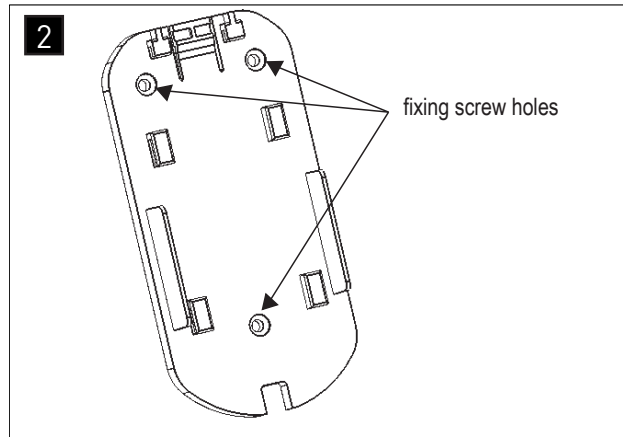
**RoHS** ✓  
Compliant



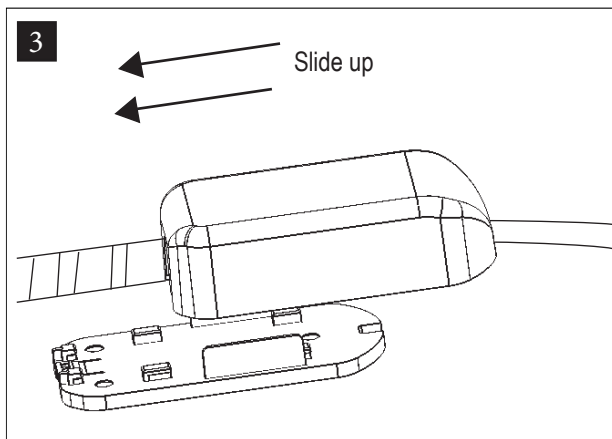
## Installation instructions



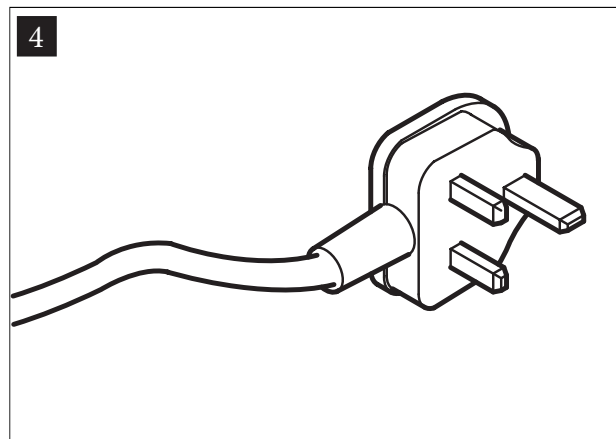
Use a flat edge screwdriver to release the mounting plate from the back of the block at the bottom of the fitting. Push the screwdriver edge against the lock (see diagram opposite) and slide down to release the mounting plate.



Mark the position for the mounting plate on the back of the headboard. Once marked up, secure using the provided fixing screws.



Re-attach the housing to the mounting plate by pushing the housing onto the plate and sliding upwards until the lock is secured.



Finally wire the 1.5m cable supplied to the 240V mains supply or 13A plug top.

## Maintenance & Care

- Ensure that the power is disconnected prior to cleaning.
- To keep the finish of this product, wipe over with soft cloth periodically.
- Do not use harsh chemical solvents, it may dis-colour or damage the finish.