












sensio[®]



KITCHEN
& BEDROOM
LIGHTING 2026

Product Features Guide

 Full RGB CCT spectrum control	 Stainless steel finish
 Correlated Colour Temperature	 Chrome finish
 TrioTone® - 3 in 1 light temperature	 Aluminium finish
 Cool white lighting	 Black finish
 Warm white lighting	 Brass finish
 Natural white lighting	 Copper finish
 Dimmable	 Champagne finish
 Infra-red sensor - swipe activated	 White finish
 Activates on opening of a door or drawer	 Bluetooth connectivity enabled
 Wireless Kinetic	 Sync with your smart home devices
 Touch activated	 Can be controlled via the 'Link Sensio' App
 Push button activated	 Integrated wireless charger
 PIR sensor - motion activated	 Fire rated for additional safety
 2.5m Supplied cable length	 IP20 IP rating denotes the protection level against dust and water
 Battery powered (Replacable)	 24V Unless otherwise stated. Sensio lighting runs on 24V for better efficiency
 Rechargeable battery power	

Product Features - Sensio products have been developed with a range of technologies and configurations. Use this quick reference icon guide to help understand the difference between products at a glance.

IP Rating - All products are IP20 unless stated as higher. Always refer to the installation guides provided with all our products for more detailed information on fitting. Whilst Sensio lights are designed to be simple plug & play systems, any mains electrical work should be carried out by a certified electrician

sensio®

Since 2007 we've been creating lighting in harmony with modern life. Specialising in kitchens, bedrooms and bathrooms, quality and innovation has always been at the heart of what we do, from lighting that stands the test of time to technology that's exclusive to us.

At Sensio we pride ourselves on providing premium products matched with a flawless execution and service. All of our lighting solutions are designed right here in the UK, where we can constantly strive to create new concepts to brighten people's lives. Always pushing to pioneer new technology that seamlessly illuminates customers' homes, our passion is making lighting both intelligently simple and beautiful.

We hope to inspire your space with the power of lighting and thank you for partnering with us at Sensio.

Michael Linsky
Managing Director

innovate. create. illuminate.™



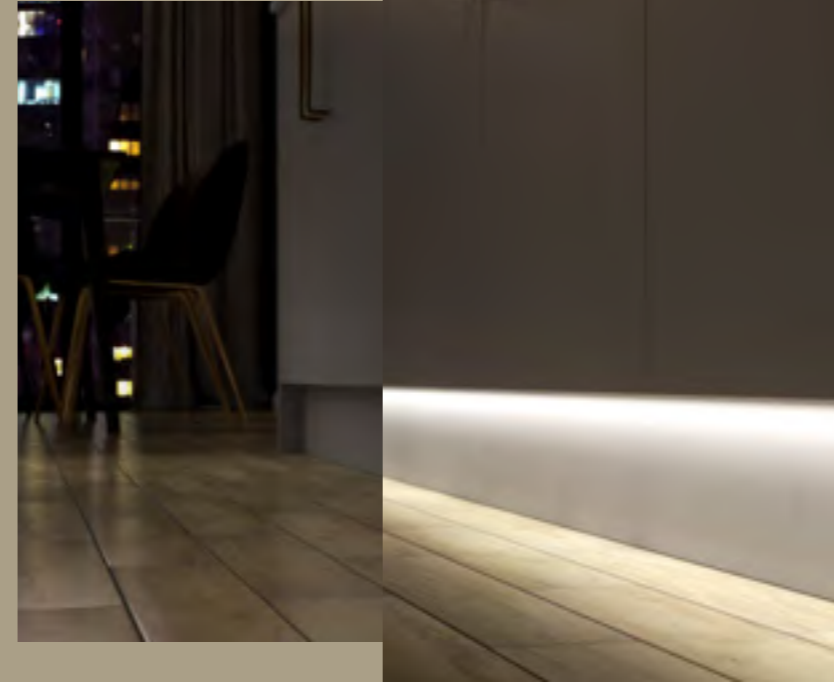
CONTENTS

The Power of Lighting	4	Flexible LED Strip Lighting	40	Under Cabinet Lighting	104	Ceiling & Feature Lighting	150
Simple Lighting Strategies	6	Dart™	42	Axis™	106	Cara™	152
Considering Colour	8	Primo 2™	44	Connex TrioTone®	107	Elena TrioTone®	153
Design Ready Lighting	10	Primo X™	46	Solo™	108	TrioTone® IP65	154
		Delta™	48	Ark TrioTone®	109	Pure TrioTone®	156
		Neutron™	50	Ark Pro™	110	Cube & Circa TrioTone®	158
		Polar X™	52	Treos™	112	Solinas™	160
Fresh Innovation in 26	12	Polar X Pro™	54	Nexus™	113		
		Polar RGB CCT™	56	Nexus TrioTone®	114	SensioPod Pop-Up Sockets	162
		Radiant X™	58	Velos™	116	SensioPod E™	164
Affinity	14	Radiant Pro™	60	Astro TrioTone®	118	SensioPod M™	165
Affinity™ Magnetic Track	16	Razor 2mm™	62	Astro Pro™	120	SensioPod M™ Bluetooth®	166
Affinity™ Light Fittings	18	Razor X 2mm™	64	Apex TrioTone®	122		
Affinity™ Accessories	20	Razor X Pro 2mm™	66	Zeta™	124	Lighting Power & Control	168
		Razor X 4mm™	68	Hype TrioTone®	125	Titan Dimmable™	171
Pixel™ LED Sheet Lighting	22	Razor X Pro 4mm™	70	Hype R Pro™	126	Titan+™	172
Pixel™	24	Sigma 2™	72	Plaza™	128	Titan+™ Wireless	174
Pixel Pro™	26	Viva 3™	74	Horizon TrioTone®	129	Universal Remote Control™	176
		Universal Flex Strip Connectors™	76	Horizon Pro™	130	Titan Smart Kinetic™	178
				Neo TrioTone®	132	Kinetic Switch	179
Dual Colour Flexible Strips	28	Profiles & Integrated Solutions	78	Neo Pro™	134	240V Kinetic Receiver	179
Polar X Duo™	30	Genoa™	80	Corner Pantry Pack	136	Titan Smart RGB CCT™	180
Razor X Duo 2mm™	32	Beam™	82			Link-S™	181
Razor X Duo 4mm™	34	Fino™	84	Plinth Spotlights	138	JB4 Detachable Connectors™	182
		Linia™	86	Iris™	140		
Versa™	36	Edge™	88	Luce TrioTone®	141	Common Components	184
Versa Recessed™	38	Zella™	90	Halo TrioTone®	142		
Sensor Compatible Profile	38	Ray™	92	Stellar Pro™	143	FAQ	186
Versa Surface™	39	Manta™	94			Get In Touch	187
		Vertex™	96	Rechargeable Battery Lighting	144		
		Glow™ & Glow Pro™	98	Incline™	146		
		Flex with Polar X Pro™	100	Magnum™	147		
		Verona™	102	Strata™	148		
		Torino™	103	Opus™	149		

Design the transformation.

Throughout the day, from dark to light. Reveal form and finish for purpose and practicality.

THE POWER OF LIGHTING



Lighting can completely transform your space beyond the practical benefit it brings. It creates ambience, a brighter, more spacious and multi-dimensional feel and highlights design features. Considering a lighting scheme at the initial design stages will influence the overall atmosphere of the interior space.



SIMPLE LIGHTING STRATEGIES

Lighting is essential to a successful design but does not need to be complex.

Use the task, mood, convenience strategy to add layers of lighting to your design. Then factor in the power & control.

1. Task Lighting - Always start with essential task lighting - illuminate food prep and practical areas.

2. Mood & Convenience - If the budget permits, elevate the design with convenience and mood lighting.

3. Total Wattage - Calculate the total wattage of the lights by area and factor in the power required, considering socket locations and the furniture layout.



Task Lighting

Task lighting is perfectly positioned, focused light, which ensures the kitchen is an efficient working space for everyday tasks such as cooking.



Mood Lighting

Mood lighting creates depth and dimension, which is essential for creating atmosphere within a room. Mood lighting produces great ambient lighting.



Convenience Lighting

Convenience lighting illuminates cupboards, wardrobes and drawers for ultimate ease of use, while adding a luxurious finish to the design.

CONSIDERING COLOUR

The light temperature you choose has a huge impact on the interior.

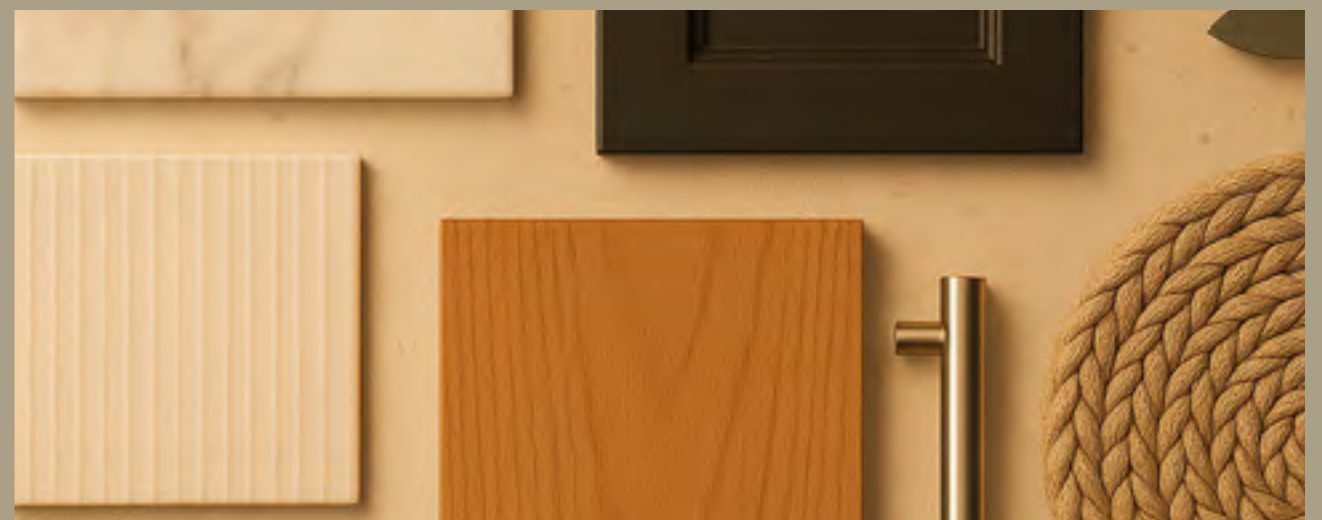
Sensio offers two technologies for adjustable colour temperature:

TrioTone®

A Sensio trademarked concept first introduced in 2017, TrioTone® provides 3-in-1 lighting choice in one fitting. These diverse products are specifically designed to provide the option to select or change the colour temperature without having to replace the whole fitting. Sensio TrioTone® products can be set to 3000K (warm white), 4000K (natural white) or 5000K (cool white).

CCT

Correlated Colour Temperature (CCT) is a concept that provides a seamless transition from warm to cool white temperatures. CCT gives the user the power to cycle through the full spectrum of temperatures between cool, natural and warm light. This allows you to accurately mimic outside lighting conditions - a feature that has been scientifically proven to have a positive impact on our health.



Top - Cool white edges towards a blue tone and can be perceived as harsh but it is excellent for pristine marble and quartz worktops. It also provides brighter task light in areas of focus.

Middle - Natural white sits around 4000-4500K and is the closest to daylight. A good starting choice - working well with most materials to create a fresh and airy feel.

Bottom - Warm white, shown here at around 3000K compliments natural earth materials, stone and rich woods. Switch adjustable lights to warm in the evenings for a more cosy ambience.

DESIGN READY LIGHTING

Find our lighting the content library of industry leading CAD solutions.

Elevate your next kitchen design.

We know how important it is for customers to envision how their kitchen design will look in the initial stages. To ensure the process runs as smoothly as possible, we are partnered with leading kitchen design software to bring your dream plans to life: 2020, KBB Connect, KBB Smart and Compusoft.

We work closely with all the leading CAD solutions in the KBB industry. Together with our in-house design team, the full range of lighting solutions in our inventory have been modelled, ready to drop into your designs.



Keep it simple when creating a lighting plan.

1. Choose the style of lighting - simple under cabinet spotlights in natural white or adjustable CCT with flexible strips?
2. Choose a control system - simple on/off at the wall, Titan+ wireless sensors, kinetic or smart.
3. Break down the design into key areas - think about sections such as under cabinets, along the plinth, inside a larder. This makes it easier to consider the plan and requirements.
4. Approach each zone individually - calculate the power required and factor in where mains power will be accessible.



Where Real-World Insight Shapes Innovation

At the heart of our process is a simple principle, we listen first.

Every product we create begins with a conversation. By spending real time with our customers, on site and in their working environments, we gain first hand insight into how our products are used in the field. These collaborative reviews allow us to see challenges, opportunities, and creative adaptations that can only be understood through genuine interaction.

From these sessions, our design and engineering teams return not just with feedback, but with purpose. Each improvement we make is intentional, driven by real-world application and the desire to craft lighting solutions that feel considered, functional, and truly built for the people who rely on them every day.

“

“Innovation doesn’t start in the studio. It starts on site, standing next to the people who will actually use what we design.”

Charles Offord
Product Designer

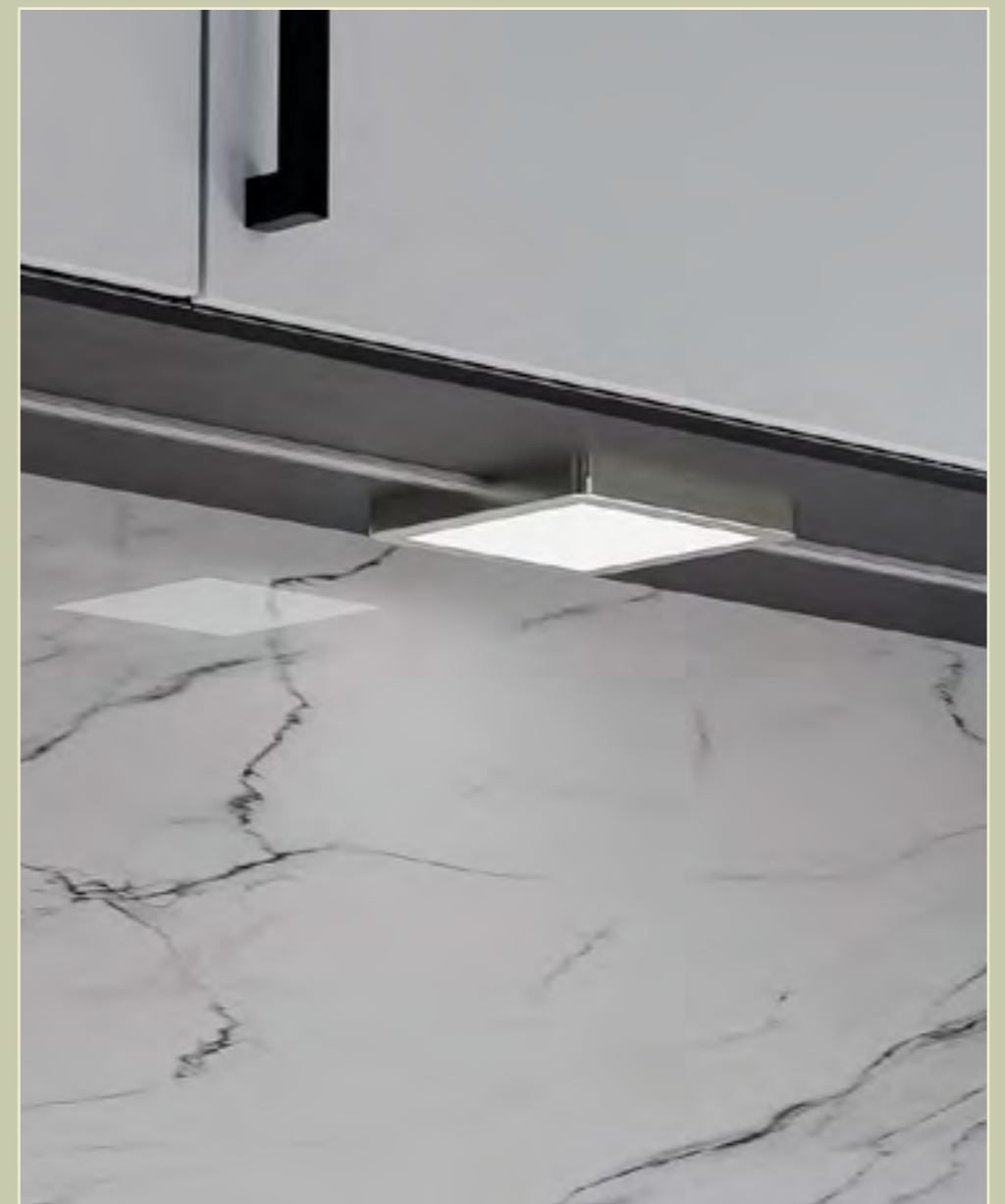
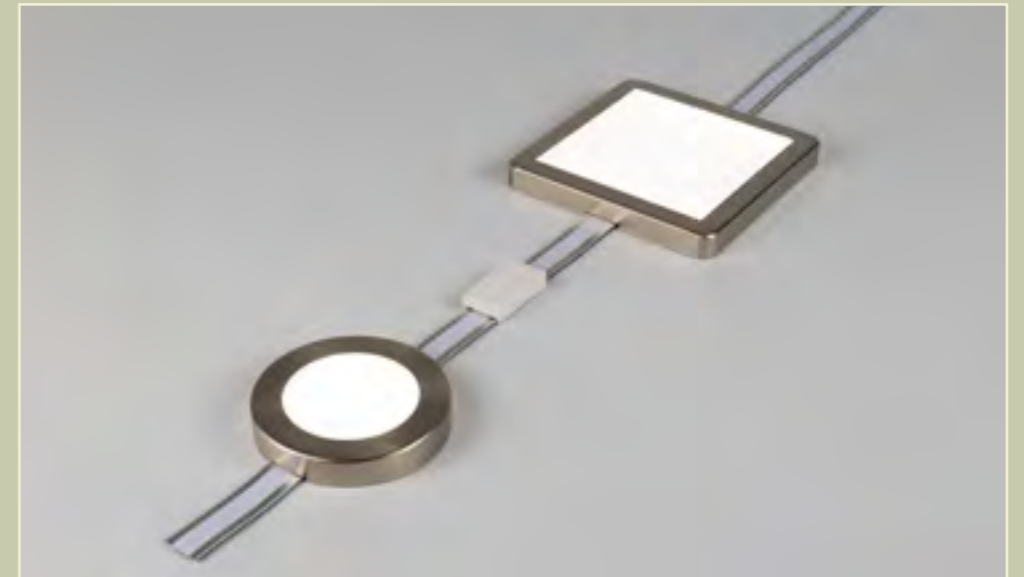


AFFINITY™

Game changing lighting. Designed with installers in mind.

First to market innovation, changing the game on how installers use lighting. Introducing the Affinity track system, designed to simplify and future proof installations with its magnetic technology and interchangeable accessories.

A magnetic track lighting system designed to make custom lighting effortless. Simply stick the track to your desired surface and customise your setup, from spotlights to LED strips using interchangeable accessories and controls. The system requires only one power cable (sold separately) and any Titan+ Driver (depending on wattage), to run multiple lights, reducing the need to chase each light.

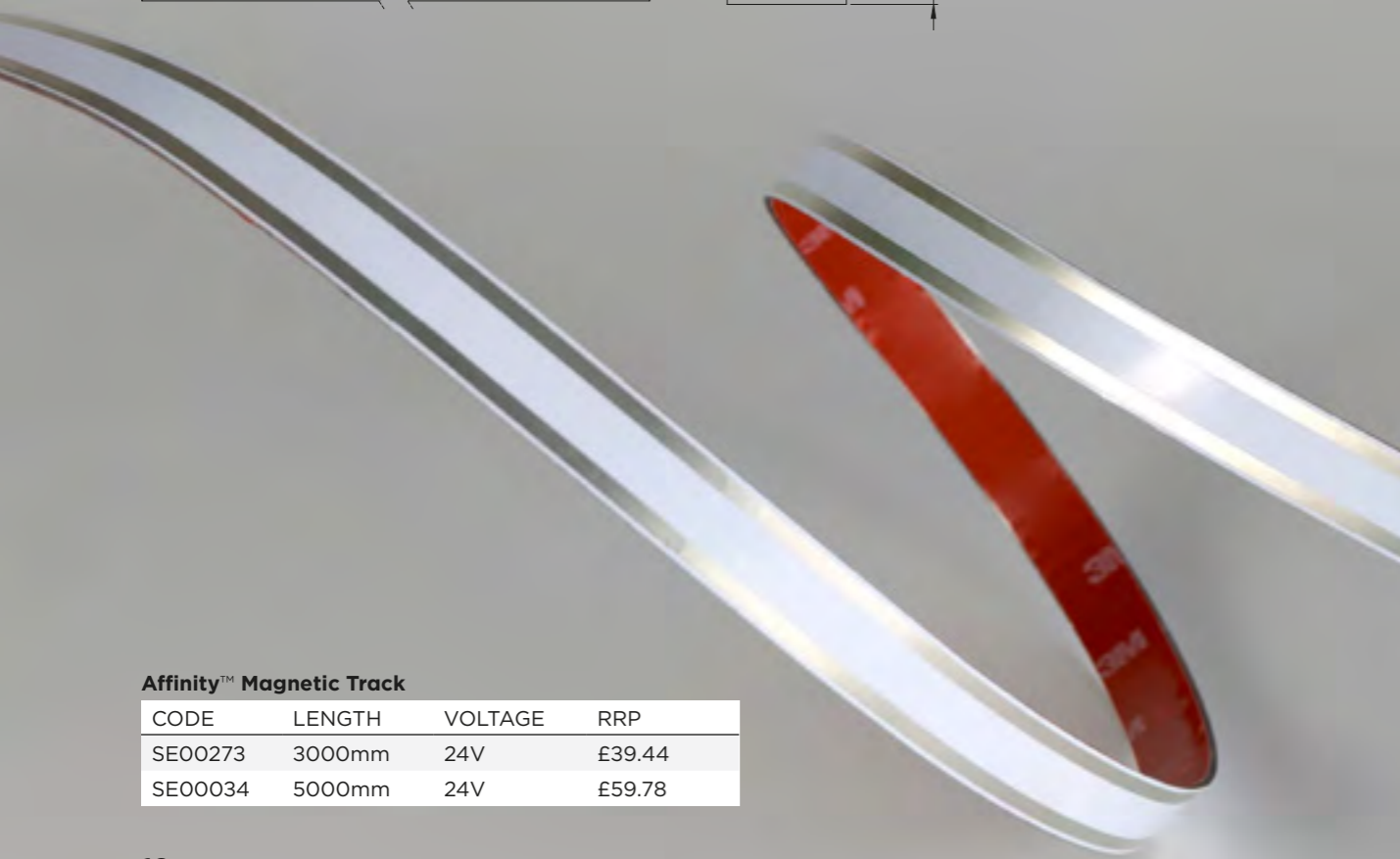
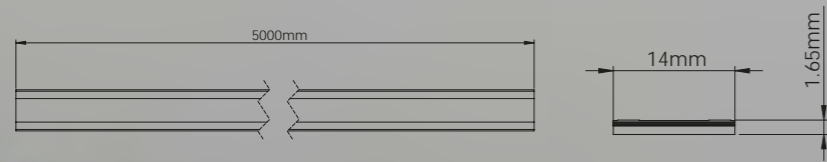


Affinity™ Magnetic Track

The Core of the Affinity System

A magnetic track lighting system designed to make custom lighting effortless. Simply stick the track to your desired surface and customise your setup, from spotlights to LED strips using interchangeable accessories and controls. The system requires only one power cable (sold separately) and any Titan+ Driver (depending on wattage), to run multiple lights, reducing the need to chase each light.

- **Free cut:** Can be cut to any desired length.
- **VHB (Very High Bond):** adhesive tape backing for secure installation.
- **Patent protected:** P46352W01.



Affinity™ Magnetic Track

CODE	LENGTH	VOLTAGE	RRP
SE00273	3000mm	24V	£39.44
SE00034	5000mm	24V	£59.78



Free cut - The Affinity Magnetic Track is supplied on a reel and is easily cut. Trim the desired length and then apply using the pre-applied VHB tape.



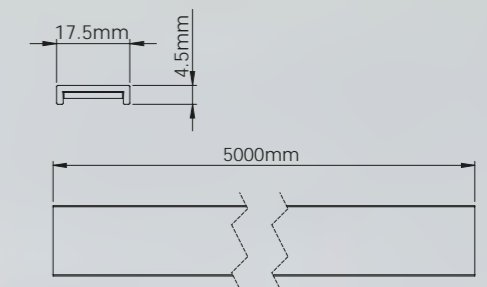
Always adjustable - Place the magnetic light fittings anywhere along the track for instant illumination. Add, remove or re-position lighting at any time.



Affinity™ Track Cover

The Affinity track cover offers protection and the most discreet installation aesthetics for the magnetic track. Simply cut to length and apply over the track.

- Patent protected.



Affinity™ Track Cover

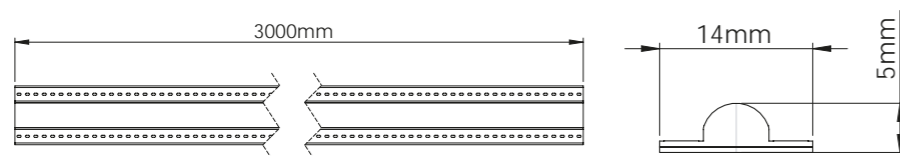
CODE	DESCRIPTION	RRP
SE00035	Affinity Track Cover (5m reel)	£31.01

Affinity™ Light Fittings

Faraday X™

A single colour flexible strip designed to secure to the Affinity track with magnetic backing for complete customisation.

- **Single Colour:** Choose natural white (4000K) or warm white (3000K).
- **Free cut:** Can be cut to any desired length.
- **Chip on Board (COB):** Technology provides seamless light output and efficiency.
- **Connection:** Illuminate the strip with the strip connector (sold separately).
- **Patent protected.**



Affinity™ - LED Spotlights

CODE	DESCRIPTION	FINISH	LUMENS	WATTAGE	RRP
SE00049	Newton TrioTone®	Stainless Steel	227 lm	7.5 W	£18.12
SE00050	Maxwell TrioTone®	Stainless Steel	161 lm	2.5 W	£13.65
SE00051	Lorentz TrioTone®	Stainless Steel	240lm	7.5 W	£25.06

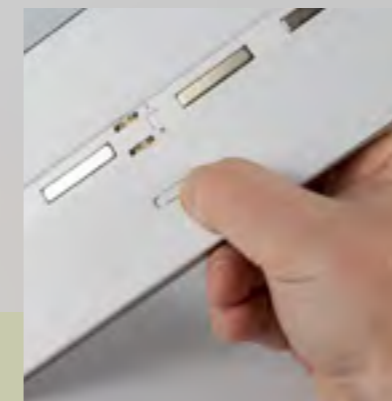
Faraday X™ - Magnetic Flexible Strip | 320 LED/m | 6W/m

CODE	COLOUR	LENGTH	LUMENS	WATTAGE	RRP
SE00210	Natural White (4000K)	3000mm	535 lm/m	6 W/m	£55.32
SE00209	Warm White (3000K)	3000mm	535 lm/m	6 W/m	£55.32

TrioTone® Spotlights

3 timeless spotlight styles, inspired by our most popular fittings. Designed to secure to the Affinity track with magnetic backing for complete customisation.

- **TrioTone®:** Select between Warm (3000K), Natural (4000K), or Cool White (5000K)
- **Patent protected**



Lorentz TrioTone®

- Rectangle

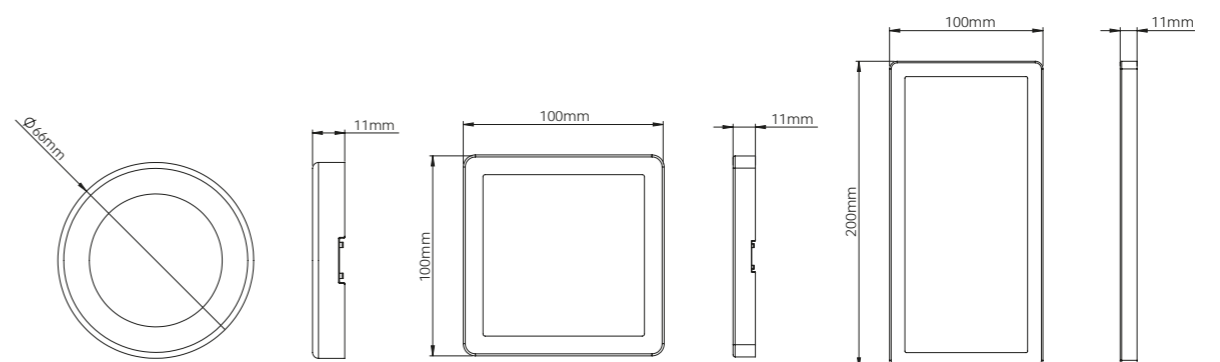


Newton TrioTone®

- Square

Maxwell TrioTone®

- Round



Affinity™ Accessories

Configure, power & control

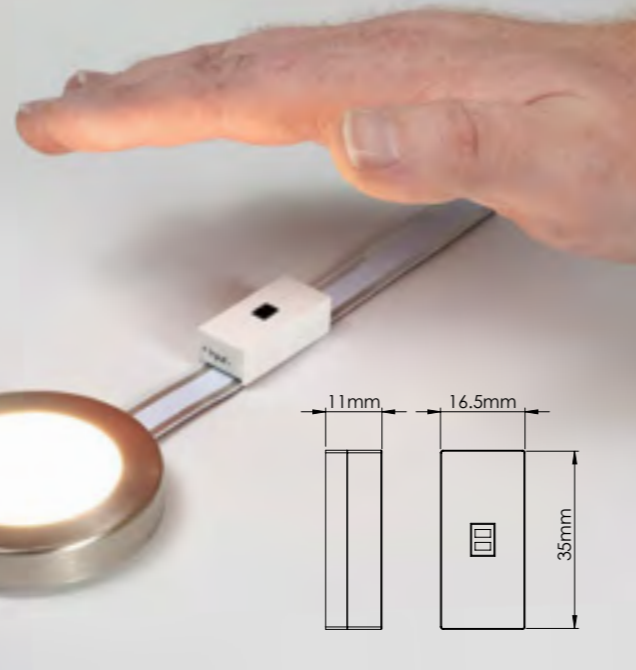
Customise the lighting design with our collection of patent protected components.

Affinity™ IR Sensor

Activate lighting by swiping hand in front of sensor or dim lighting by holding hand in front of sensor.

- Add IR sensor control by bridging two pieces of track and powering with the Modus plug or a Titan+ driver.

(The IR sensor is not suitable to be used in conjunction with Smart App, Voice or Kinetic control.)



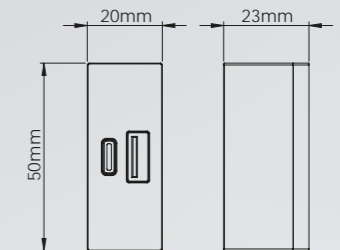
Affinity™ Joining Accessories

Secures to the Affinity Track with the magnet on the back for complete customisation.



Affinity™ USB/USB-C Charging Port

Secures to the Affinity Track with the magnet on the back for complete customisation.



Modus™

30W plug driver, designed for easy retrofit installation.

- Compatible with Affinity products, single colour or TrioTone® selectable lighting.
- Short circuit & overload protection.
- Surge and thermal protection.



Plug & play - Just one port required. Simply connect the Affinity driver lead to power all the lights along the track.



Affinity™ Driver Lead

Secures anywhere along the Affinity Track with the magnet on the back to supply power.



Affinity™ - Accessories

CODE	DESCRIPTION	RRP
SE00047	Affinity™ IR Sensor	£10.18
SE00208	Affinity™ USB / USB-C 1W Charging Port	£15.14
SE00037	Affinity™ 2500mm Driver Connection Lead	£6.71
SE00039	Affinity™ Joining Connector	£5.47
SE00041	Affinity™ Corner Connector	£5.96
SE00043	Affinity™ T-Junction Connector	£7.45
SE00211	Affinity™ Flexible Strip Connector	£5.47
SE00045	Modus™ Plug Driver	£30.72

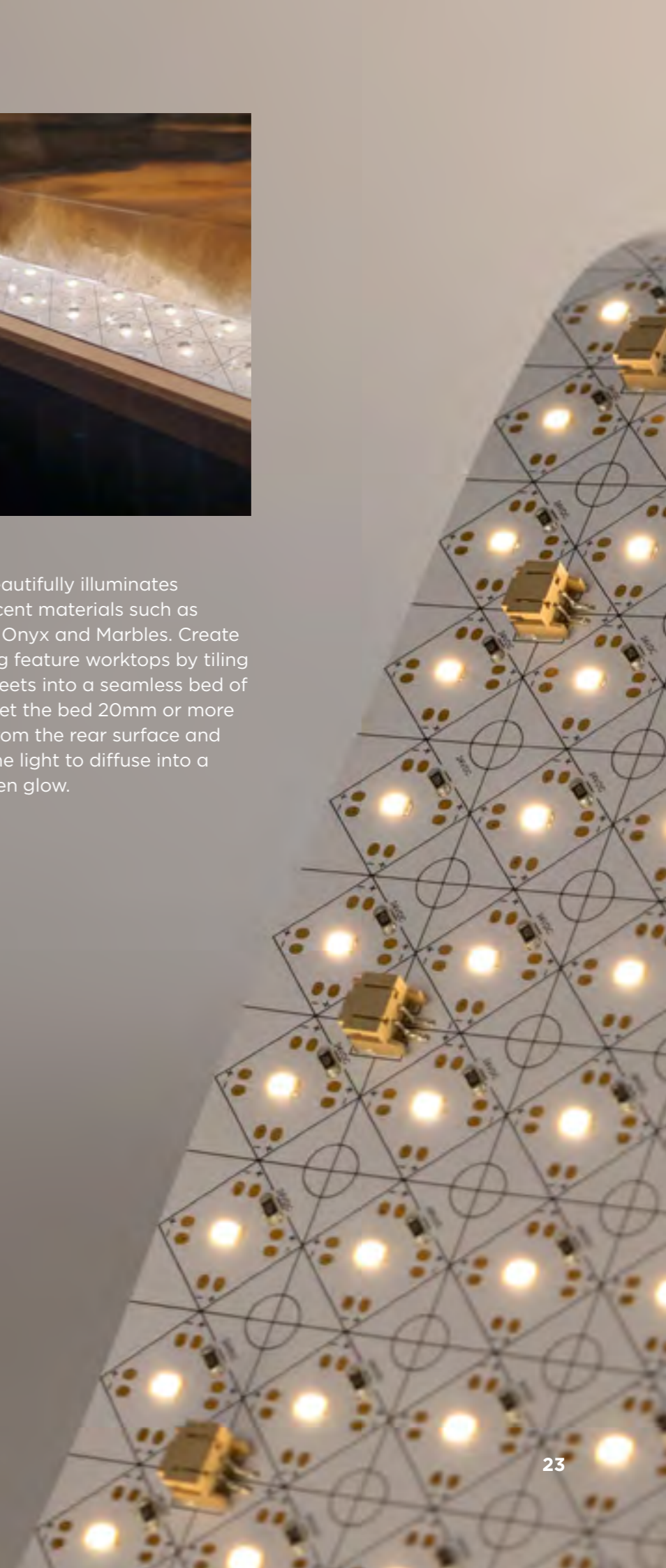
PIXEL™ LED SHEET LIGHTING



The Pixel Panel is a flexible LED sheet designed for bespoke installation and large-scale applications. Ideal for luxury interiors, including under marble worktops, architectural features, backlit signage and displays, and commercial environments where uniform lighting is essential.



Pixel beautifully illuminates translucent materials such as natural Onyx and Marbles. Create stunning feature worktops by tiling Pixel sheets into a seamless bed of LEDs. Set the bed 20mm or more away from the rear surface and allow the light to diffuse into a soft, even glow.



Pixel™

Flexible LED Panel

The Pixel Panel is a flexible LED sheet designed for bespoke installation and large-scale applications. Ideal for luxury interiors, including under marble worktops, architectural features, backlit signage and displays, and commercial environments where uniform lighting is essential.

- **Single Colour:** Natural white light (4000K).
- **Bendable:** Flexible material for curved or corners for bespoke installations.
- **Free cut:** This can be cut in all directions.
- **Connection:** Supplied with 2.5m driver connection cables for easy set up.
- **Compatibility:** Adjust brightness when paired with Sensio controls and drivers.
- **Slim Connectors:** 5.75mm connector blocks, positioned around the sheet for versatile connection.
- **Accessories:** Connect multiple panels together using interconnecting leads (sold separately) to achieve larger illuminated areas.



Cut to shape - Trim the Pixel Pro between any diode create the required sheet size.



Convenient power - Connect power or tile sheets together using any of the ports on the Pixel Pro.



Pixel™ - Natural White 4000K

CODE	DIMENSIONS	LUMENS	WATTAGE	RRP
SE00181	300mm x 600mm x 5.75mm	1400 lm/pcs	15W/m	£71.74
SE00182	300mm x 600mm x 5.75mm	1800 lm/pcs	20W/m	£71.74
SE00183	300mm x 600mm x 5.75mm	2000 lm/pcs	30W/m	£71.74

Cables, connections & accessories

CODE	DESCRIPTION	RRP
SE00184	Pixel - 2500mm Driver Connection Lead	£4.51
SE00185	Pixel - 45mm Interconnecting Lead	£2.66

Pixel Pro™

CCT Flexible LED Panel

With all the benefits of the pixel, the pro version includes correlated colour temperature (CCT). The Pixel Pro seamlessly transitions from Warm White (2700K) to Cool White (6500K) with colour changing technology.

- **CCT:** Correlated Colour Temperature.
- **Bendable:** Flexible material for curved or corners for bespoke installations.
- **Free cut:** Can be cut to any desired length
- **Connection:** Supplied with 2.5m driver connection cables for easy set up.
- **Compatibility:** Adjust brightness when paired with Sensio controls and drivers.
- **Accessories:** Connect multiple panels together using interconnecting leads (sold separately) to achieve larger illuminated areas.



Cut to shape - Trim the Pixel Pro between any diode create the required sheet size.



Convenient power - Connect power or tile sheets together using any of the ports on the Pixel Pro.



Pixel Pro™ - CCT 2700K - 6500K

CODE	DIMENSIONS	LUMENS	WATTAGE	RRP
SE00264	240mm x 480mm x 5.85mm	1400 lm/pcs	15W/m	£72.41
SE00265	240mm x 480mm x 5.85mm	1800 lm/pcs	20W/m	£72.41
SE00266	240mm x 480mm x 5.85mm	2000 lm/pcs	30W/m	£72.41

Cables, connections & accessories

CODE	DESCRIPTION	RRP
SE00267	Pixel Pro - 2500mm Driver Connection Lead	£5.72
SE00268	Pixel Pro - 45mm Interconnecting Lead	£3.43

DUAL COLOUR FLEXIBLE STRIPS

Dual colour flexible strips bring a new concept to the Sensio range for 2026. Each Duo strip is both natural white and warm white. Simply connect power to the opposite end or connect the adapter to switch the colour temperature.

Duo Flexible Strip Adapter™

Polarity Reversing Lead

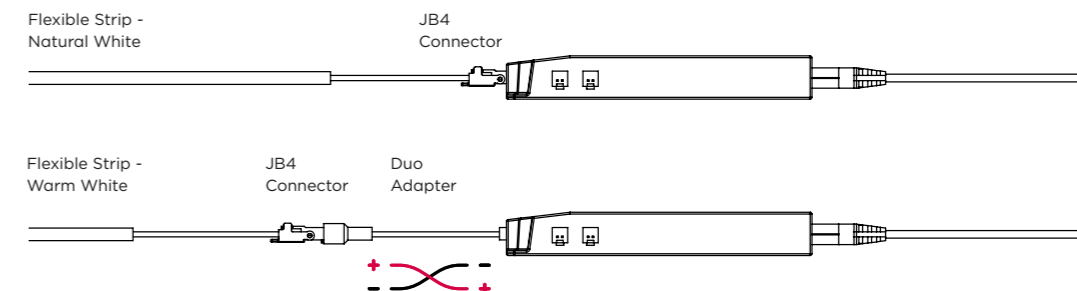
The Duo flexible LED strips switch colour, either by connecting the opposite end of the strip or connecting the Duo Flexible Strip Adapter.

The adapter allows both ends of the strip to be used at the same colour temperature, by reversing the polarity, illuminating an alternate set of diodes and changing the output colour from natural white to warm white.



Simple Install - All Duo flexible LED strips are supplied with the adapter and NEW detachable JB4 connectors for quick and easy cable management (See p.182)

2 light temperatures in 1 flexible strip



Duo Flexible Strip Adapter™

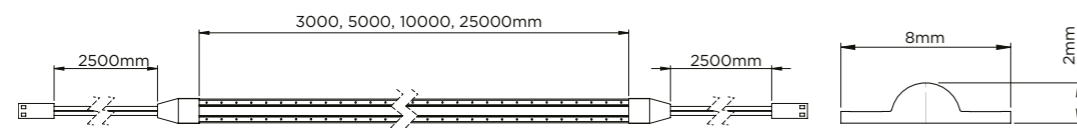
CODE	DESCRIPTION	RRP
SE00274	Duo Flexible Strip Adapter™	£3.39

Polar X Duo™

Free-Cut Flexible LED Strip

Providing the benefits of Polar X with the addition of a colour-change dongle allows quick selection between natural and warm white, offering greater flexibility on site.

- **Duo Colour:** Two light colours in one strip. Choose Natural white light (4000K) or Warm light (2700K) with the Duo Flexible Strip Adaptor.
- **Duo Flexible Strip Adaptor:** Reverses polarity to change the light from natural white to warm white.
- **Free cut:** Can be cut to any desired length.
- **Chip on Board (COB):** Technology provides seamless light output and efficiency.
- **No Voltage Drop:** 24V allows long runs of light without any fade.
- **VHB (Very High Bond):** adhesive tape backing for secure installation.
- **Compatibility:** Adjust brightness when paired with Sensio controls and drivers.
- **Connection:** Pre-soldered 2.5m driver connection cables at each end.
- **Accessories:** Additional driver connection cable (sold separately) to utilise all cut lengths.



Polar X Duo™ - Warm White (2700K) or Natural White (4000K) | 512 LED/m | 6W/m

CODE	LENGTH	LUMENS	DRIVER	RRP
SE00335	3000mm	600lm/m	Required	£70.36
SE00336	5000mm	600lm/m	Required	£119.69

Accessories - Compatible with the existing range of Polar cables & accessories

CODE	DESCRIPTION	RRP
SE105790	1500mm Polar Interconnecting Lead	£2.70
SE105990	50mm Polar Corner Connector	£2.04
SE103990	2500mm Polar Driver Connection Lead	£4.03
SE112990	Polar Joining Clip	£2.98
SE00274	Duo Flexible Strip Adapter™	£3.39



Natural White - 4000K



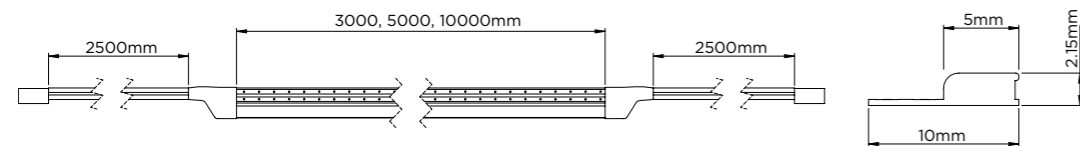
Warm White - 2700K

Razor X Duo 2mm™

Free-Cut Recessed LED Strip

Providing the benefits of the Razor X 2mm with the addition of a colour-change dongle allows quick selection between natural and warm white, offering greater flexibility on site.

- **Duo Colour:** Two light colours in one strip. Choose Natural white light (4000K) or Warm light (2700K) with the Duo Flexible Strip Adaptor.
- **Duo Flexible Strip Adaptor:** Reverses polarity to change the light from natural white to warm white.
- **Free cut:** Can be cut to any desired length.
- **Chip on Board (COB):** Technology provides seamless light output and efficiency.
- **Recessed Installation:** Easily recessed with a saw cut or router (2mm).
- **Bendable:** Easily flow around corner recesses.
- **Push fit install:** No VHB adhesive backing for easy push fit installation.
- **Compatibility:** Adjust brightness when paired with Sensio controls and drivers.
- **Connection:** Pre-soldered 2.5m driver connection cables at each end.
- **Accessories:** Additional driver connection cable (sold separately) to utilise all cut lengths.
- **Profiles:** Pair with the Edge profile, designed specifically for the Razor X 2mm strips.



Razor X Duo 2mm™ - Warm White (2700K) or Natural White (4000K) | 512 LED/m | 6W/m

CODE	VHB	LENGTH	LUMENS	DRIVER	RRP
SE00331	No	3000mm	200lm/m	Required	£71.53
SE00332	No	5000mm	200lm/m	Required	£119.65

Accessories

CODE	ACCESSORY	RRP
SE900980	*2500mm Razor X Driver Connection Cable Kit (Left&Right)	£6.72
SE210019A0	*1500mm Razor X Interconnecting Cable	£3.22
SE00274	Duo Flexible Strip Adaptor	£3.39

*Available from October 2026



Natural White - 4000K



Warm White - 2700K



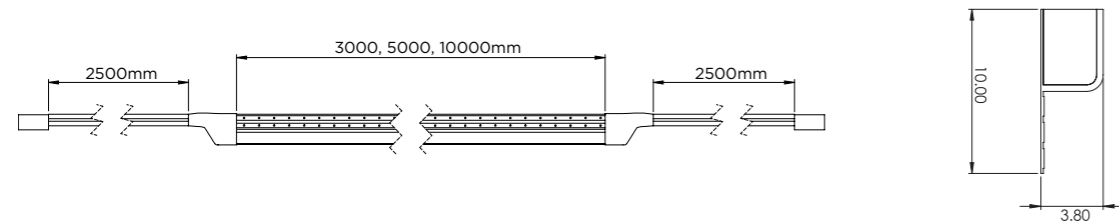
Easy install - The 2mm edge-lit design allows for simple routing with a circular saw blade.

Razor X Duo 4mm™

Free-Cut Recessed Flexible LED Strip

Providing the benefits of the Razor X 4mm with the addition of a colour-change dongle allows quick selection between natural and warm white, offering greater flexibility on site.

- **Duo Colour:** Two light colours in one strip. Choose Natural white light (4000K) or Warm light (2700K) with the Duo Flexible Strip Adaptor.
- **Duo Flexible Strip Adaptor:** Reverses polarity to change the light from natural white to warm white.
- **Free cut:** Can be cut to any desired length.
- **Chip on Board (COB):** Technology provides seamless light output and efficiency.
- **Recessed Installation:** For anyone with routing capabilities, either CNC machine or hand routing.
- **Bendable:** Easily flow around corner recesses.
- **Push fit install:** No VHB adhesive backing for easy push fit installation.
- **Winged version available:** For a clean finish to cover routing imperfections.
- **Flexible driver connection cable:** For either side or back cable placement.
- **Compatibility:** Adjust brightness when paired with Sensio controls and drivers.
- **Connection:** Pre-soldered 2.5m driver connection cables at each end.
- **Accessories:** Additional driver connection cable (sold separately) to utilise all cut lengths.



Razor X Duo 4mm™ - Warm White (2700K) or Natural White 4000K | 512 LED/m | 6W/m

CODE	VHB	LENGTH	LUMENS	DRIVER	RRP
SE00333	No	3000mm	508 lm/m	Required	£72.31
SE00334	No	5000mm	508 lm/m	Required	£119.65

Cables, Connectors & Accessories

CODE	DESCRIPTION	RRP
SE00145	*Razor X 4mm™ 2.5m Driver Connection Cable	£4.97
SE00274	Duo Flexible Strip Adapter™	£3.39

*Available from October 2026



Natural White - 4000K



Warm White - 2700K



Craft Elegant Lighting Inlays

- The Razor X Duo 4mm was created with CNC routing in mind. Ideal for creating pre-routed cabinetry, ready to accept lighting with a simple push fit on installation.

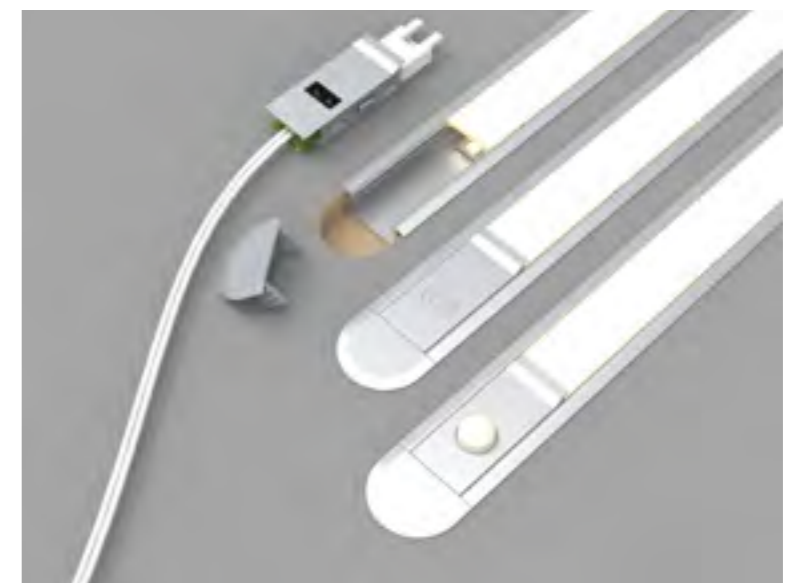
Available from October 2026

VERSA™

The new Versa profiles and sensors provide an enhanced solution for under cabinet lighting, with contemporary aesthetics and 3 options for intuitive control, including infra-red so the lights can be activated or adjusted contact free, without the need to break off from food preparation.

Our in-house design team have engineered two versions of the Versa profile, for either simple surface mount, or flush, recessed installation.

Integrate your choice of sensor module by trimming back the diffusing cover, slotting it into the profile. The sensor clips on to 8mm or 10mm single colour strips to provide power and control.



Available from October 2026

Versa Recessed™

Sensor Compatible Profile

Premium aluminium profile, designed to be recessed for a flush finish within furniture or interiors. Engineered to work seamlessly with Sensio's plug-in sensor modules, available in IR, PIR, or Touch dimmer options.

- **Push-fit diffuser:** Plastic diffuser ensures uninterrupted, even illumination across long runs.
- **Universal Strip Compatibility:** Suitable for all Sensio flexible LED strips.
- **Accessories:** Supplied with 4 x end caps.



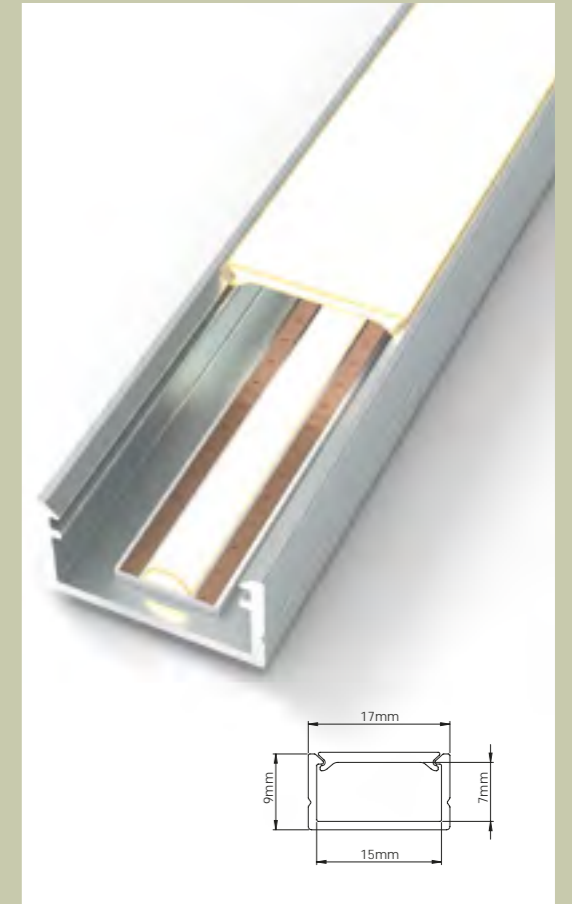
Available from October 2026

Versa Surface™

Sensor Compatible Profile

Premium aluminium profile, designed for surface-mounted installations, offering a high-end finish for any space. Engineered to work seamlessly with Sensio's plug-in sensor modules, available in IR, PIR, or Touch dimmer options (sold separately).

- **Push-fit diffuser:** Plastic diffuser ensures uninterrupted, even illumination across long runs.
- **Universal Strip Compatibility:** Suitable for all Sensio flexible LED strips.
- **Accessories:** Supplied with 4 x mounting brackets and 4 x end caps.



Versa™ Touch Sensor
- Add this module to activate the lights with a simple tap.



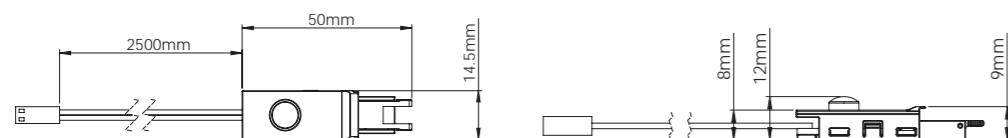
Versa™ IR Sensor- Add this module to activate the lights with hand wave.



Versa™ PIR Sensor - Add this module to activate the lights by movement.



Versa™ End Caps - Each profile is supplied with end caps to ensure a neat finish.



Versa™ - Surface Mounted, Sensor Ready Profile

CODE	LENGTH	DESCRIPTION	RRP
SE00299	2500mm	Profile, 4 end caps & 4 brackets	£22.56

Versa - Recessed, Sensor Ready Profile

CODE	LENGTH	DESCRIPTION	RRP
SE00295	2500mm	Profile & 4 end caps	£22.92

Versa - Profile Sensors

CODE	LENGTH	DESCRIPTION	RRP
SE00311	14.5mm	Versa™ PIR Sensor	£9.66
SE00312	14.5mm	Versa™ IR Sensor	£8.60
SE00313	14.5mm	Versa™ Touch Sensor	£8.08

FLEXIBLE LED STRIP LIGHTING

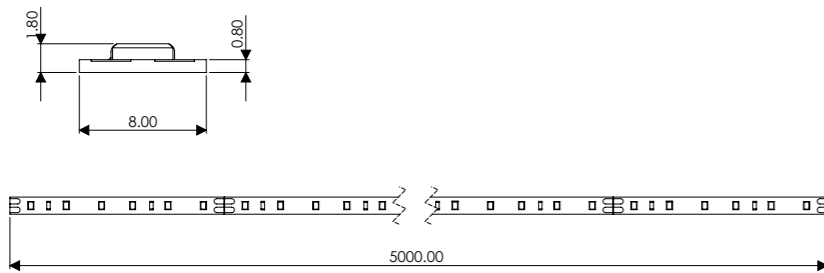


Dart™

Flexible LED Strip

A simple, and easy to use highly efficient flexible strip ideal for kitchen or bedroom use, under cabinets, along plinths or inside cabinets or wardrobes.

- **Single Colour:** Available in Natural white light (4000K).
- **Cut to size:** Cut marks every 100mm.
- **VHB (Very High Bond):** adhesive tape backing for secure installation.
- **Compatibility:** Adjust brightness when paired with Sensio controls and drivers.
- **Accessories:** Additional driver connection cable (sold separately) to utilise all cut lengths.



Dart™ - Natural White (4000K) | 60 LED/m | 3.6W/m

CODE	LENGTH	LUMENS	DRIVER	RRP
SE10355N0	5000mm	440 lm/m	Required	£26.34
SE10355N1	5000mm	440 lm/m	30W included	£78.59

Cables, Connectors & Accessories

CODE	DESCRIPTION	RRP
SE101080	2500mm Driver Connection Cable	£5.00
SE100050	Interconnecting Clip	£1.76
SE101050	50mm Corner Connector	£2.95
SE100750	1500mm Interconnecting cable	£5.45

2500mm Driver Connection Cable (SE101080) is required to run the Dart (sold separately)



Primo 2™

Flexible LED Strip

A versatile, economic flexible strip ideal for kitchen or bedroom, under cabinets, along plinths or inside cabinets or wardrobes.

- **Single Colour:** Choose Cool white (5000k) Natural white light (4000K) or Warm light (3000K).
- **Cut to size:** Cut marks every 100mm.
- **VHB (Very High Bond):** adhesive tape backing for secure installation.
- **Compatibility:** Adjust brightness when paired with Sensio controls and drivers.
- **Accessories:** Additional driver connection cable (sold separately) to utilise all cut lengths.
- **Registered Design Right:** 6024616.

Primo 2™ - Cool White (5000K) | 60 LED/m | 3.6W/m

CODE	LENGTH	LUMENS	DRIVER	RRP
SE10755C0	5000mm	425 lm/m	Required	£44.78
SE10755C1	5000mm	425 lm/m	30W included	£88.39

Primo 2™ - Natural White (4000K) | 60 LED/m | 3.6W/m

CODE	LENGTH	LUMENS	DRIVER	RRP
SE040259N0	25,000mm	415 lm/m	Required	£188.16

Primo 2™ - Warm White (3000K) | 60 LED/m | 3.6W/m

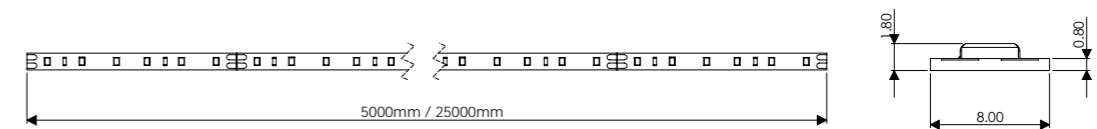
CODE	LENGTH	LUMENS	DRIVER	RRP
SE10755W0	5000mm	415 lm/m	Required	£44.78
SE10755W1	5000mm	415 lm/m	30W included	£88.39
SE040259W0	25,000mm	415 lm/m	30W included	£188.16

Cables, Connectors & Accessories

CODE	DESCRIPTION	RRP
SE101080	2500mm Driver Connection Cable	£5.00
SE100050	Interconnecting Clip	£1.76
SE101050	50mm Corner Connector	£2.95
SE100750	1500mm Interconnecting cable	£5.45



2500mm Driver Connection Cable (SE101080) is required to run the Primo 2™ (sold separately)

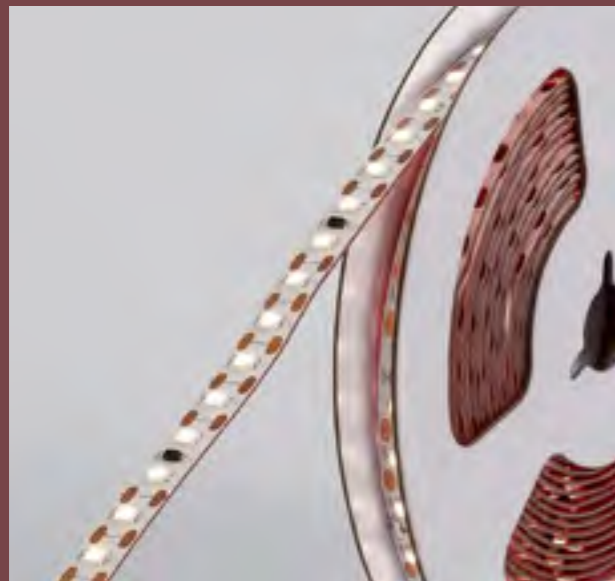


Primo X™

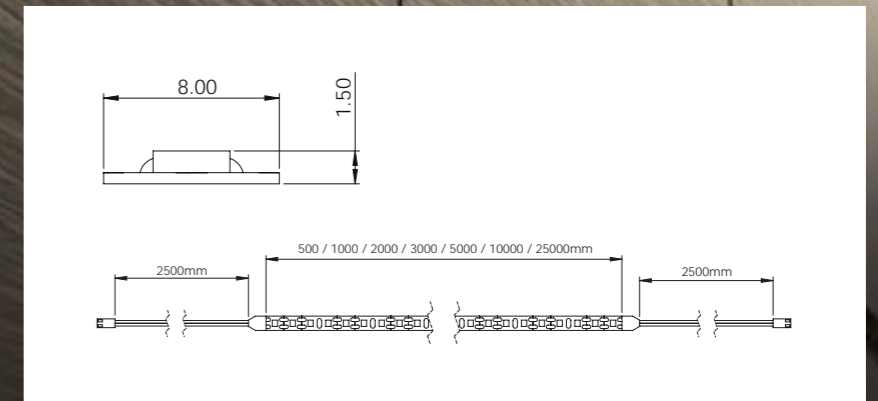
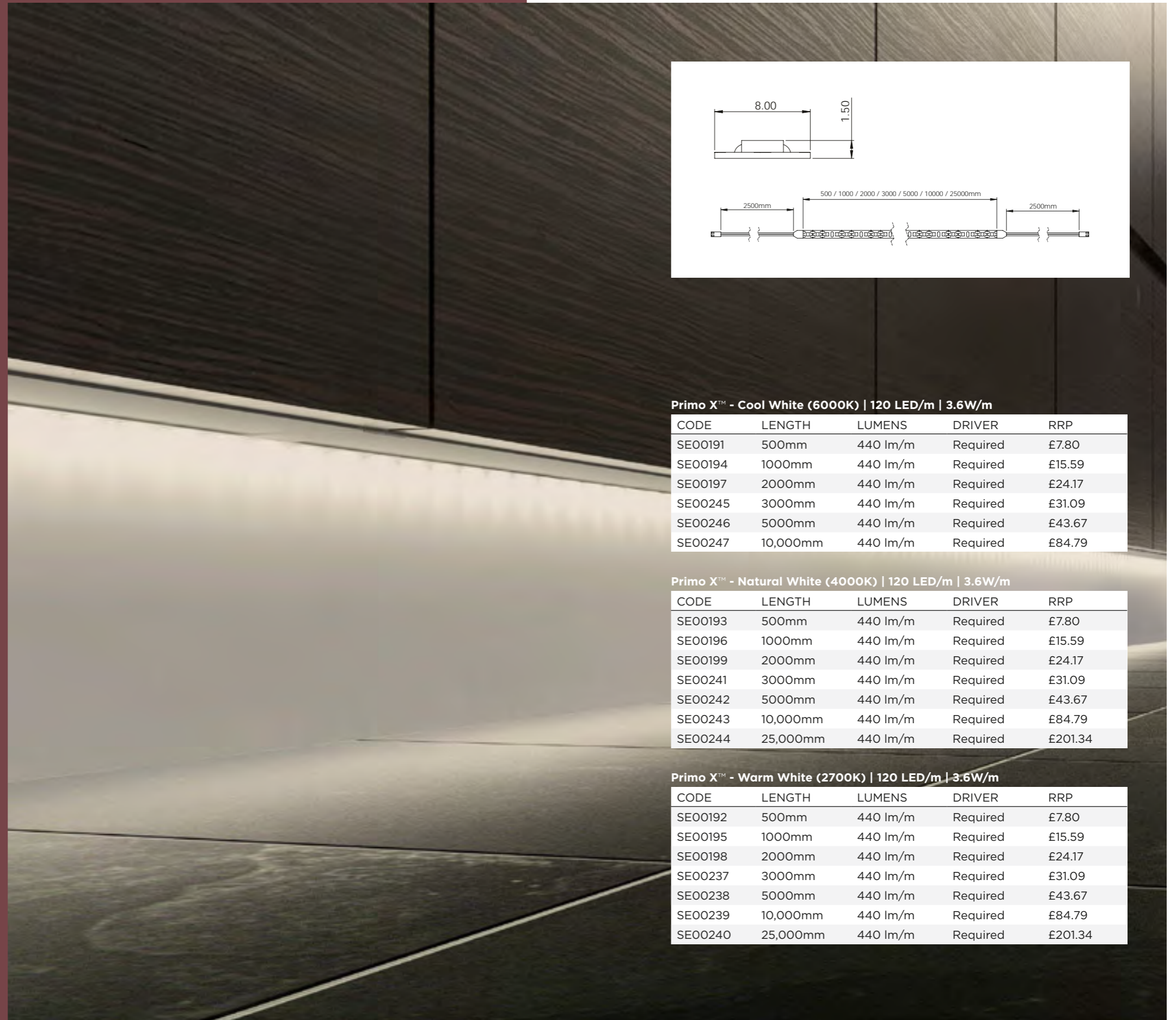
Free Cut Economic Flexible LED Strip

A versatile economic flexible strip now with doubled the diode count per meter to offer seamless light output when diffused.

- **Single Colour:** Cool white light (6000K) Natural white light (4000K) or Warm light (2700K).
- **Free cut:** Can be cut to any desired length.
- **VHB (Very High Bond):** adhesive tape backing for secure installation.
- **Compatibility:** Adjust brightness when paired with Sensio controls and drivers.
- **Connection:** Pre-soldered 2.5m driver connection cables at each end.
- **Accessories:** Additional driver connection cable (sold separately) to utilise all cut lengths.



The new Primo X features double the diode count of Primo 2 plus a brighter output, whilst maintaining power usage for enhanced efficiency.



Primo X™ - Cool White (6000K) | 120 LED/m | 3.6W/m

CODE	LENGTH	LUMENS	DRIVER	RRP
SE00191	500mm	440 lm/m	Required	£7.80
SE00194	1000mm	440 lm/m	Required	£15.59
SE00197	2000mm	440 lm/m	Required	£24.17
SE00245	3000mm	440 lm/m	Required	£31.09
SE00246	5000mm	440 lm/m	Required	£43.67
SE00247	10,000mm	440 lm/m	Required	£84.79

Primo X™ - Natural White (4000K) | 120 LED/m | 3.6W/m

CODE	LENGTH	LUMENS	DRIVER	RRP
SE00193	500mm	440 lm/m	Required	£7.80
SE00196	1000mm	440 lm/m	Required	£15.59
SE00199	2000mm	440 lm/m	Required	£24.17
SE00241	3000mm	440 lm/m	Required	£31.09
SE00242	5000mm	440 lm/m	Required	£43.67
SE00243	10,000mm	440 lm/m	Required	£84.79
SE00244	25,000mm	440 lm/m	Required	£201.34

Primo X™ - Warm White (2700K) | 120 LED/m | 3.6W/m

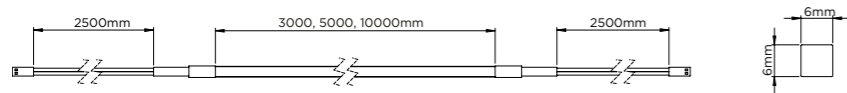
CODE	LENGTH	LUMENS	DRIVER	RRP
SE00192	500mm	440 lm/m	Required	£7.80
SE00195	1000mm	440 lm/m	Required	£15.59
SE00198	2000mm	440 lm/m	Required	£24.17
SE00237	3000mm	440 lm/m	Required	£31.09
SE00238	5000mm	440 lm/m	Required	£43.67
SE00239	10,000mm	440 lm/m	Required	£84.79
SE00240	25,000mm	440 lm/m	Required	£201.34

Delta™

Free-Cut LED Strip

A three-sided silicone LED strip that delivers a 180° spread of dot-free light without the need for a profile. Designed to bend effortlessly, it's ideal for fast, surface-mounted installations with a clean, continuous finish.

- **Single Colour:** Choose Natural white light (4000K) or Warm light (3000K).
- **Free cut:** Can be cut to any desired length.
- **VHB (Very High Bond):** adhesive tape backing for secure installation.
- **Connection:** Pre-soldered 2.5m driver connection cables at each end.
- **Compatibility:** Adjust brightness when paired with Sensio controls and drivers.
- **Accessories:** Additional driver connection cable (sold separately) to utilise all cut lengths.



Delta™ - Natural White (4000K) | 320 LED/m | 6W/m

CODE	LENGTH	LUMENS	DRIVER	RRP
SE040024NDNO	3000mm	600lm/m	Required	£69.54
SE040014NDNO	5000mm	600lm/m	Required	£97.00
SE040034NDNO	10,000mm	600lm/m	Required	£189.16

Delta™ - Warm White (3000K) | 320 LED/m | 6W/m

CODE	LENGTH	LUMENS	DRIVER	RRP
SE040024NDWO	3000mm	600lm/m	Required	£69.54
SE040014NDWO	5000mm	600lm/m	Required	£97.00
SE040034NDWO	10,000mm	600lm/m	Required	£189.16



Even More Flexible - The Delta improves upon the original Delta with free-cut for trimming to a perfect fit at any length.



Unlit - The Delta provides a neat aesthetic, appearing as a seamless, thin bead of silicone. The strip core is also IP65. Ideal for easy wiping down in bootrooms.

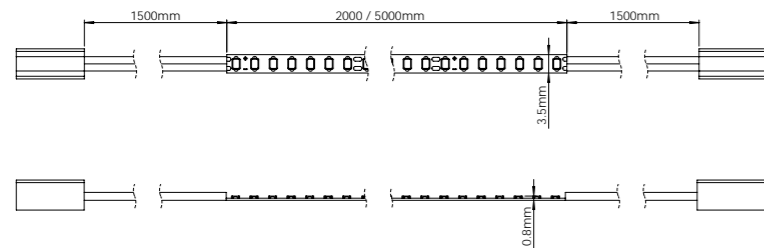


Neutron™

3.5mm Nano LED Flexible Strip

The industry's smallest flexible strip measuring at only 3.5mm in width. Ideal choice for kitchen designs where inconspicuous lighting is essential.

- **Single Colour:** Choose Cool white (5000k) Natural white light (4000K) or Warm light (3000K).
- **Profiles:** Pair with with the Nano-Lines and Micro-Lines profile ranges.
- **VHB (Very High Bond):** adhesive tape backing for secure installation.
- **Connection:** Pre-soldered 2.5m driver connection cables at each end.
- **Compatibility:** Adjust brightness when paired with Sensio controls and drivers.
- **Accessories:** Additional driver connection cable (sold separately) to utilise all cut lengths.



Neutron™ - Cool White (5000K) | 280 LED/m | 4.8W/m

CODE	LENGTH	LUMENS	DRIVER	VRRP
SE10455CO	5000mm	565 lm/m	Required	£81.59

Neutron™ - Natural White (4000K) | 280 LED/m | 4.8W/m

CODE	LENGTH	LUMENS	DRIVER	RRP
SE10425NO	2000mm	560 lm/m	Required	£38.28
SE10455NO	5000mm	560 lm/m	Required	£81.59

Neutron™ - Warm White (3000K) | 280 LED/m | 4.8W/m

CODE	LENGTH	LUMENS	DRIVER	RRP
SE10455WO	5000mm	535 lm/m	Required	£81.59

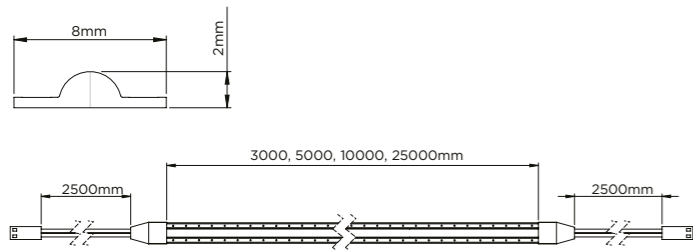


Polar X™

Free-Cut Flexible LED Strip

Introducing Polar X, the next gen of our ever popular Polar COB LED strips. The Polar X is cuttable at any length, delivery precision for installation leaving no sots in the dark. Providing a completely diffused line of light with no visible LED dots, eliminating the need for a profile or cover.

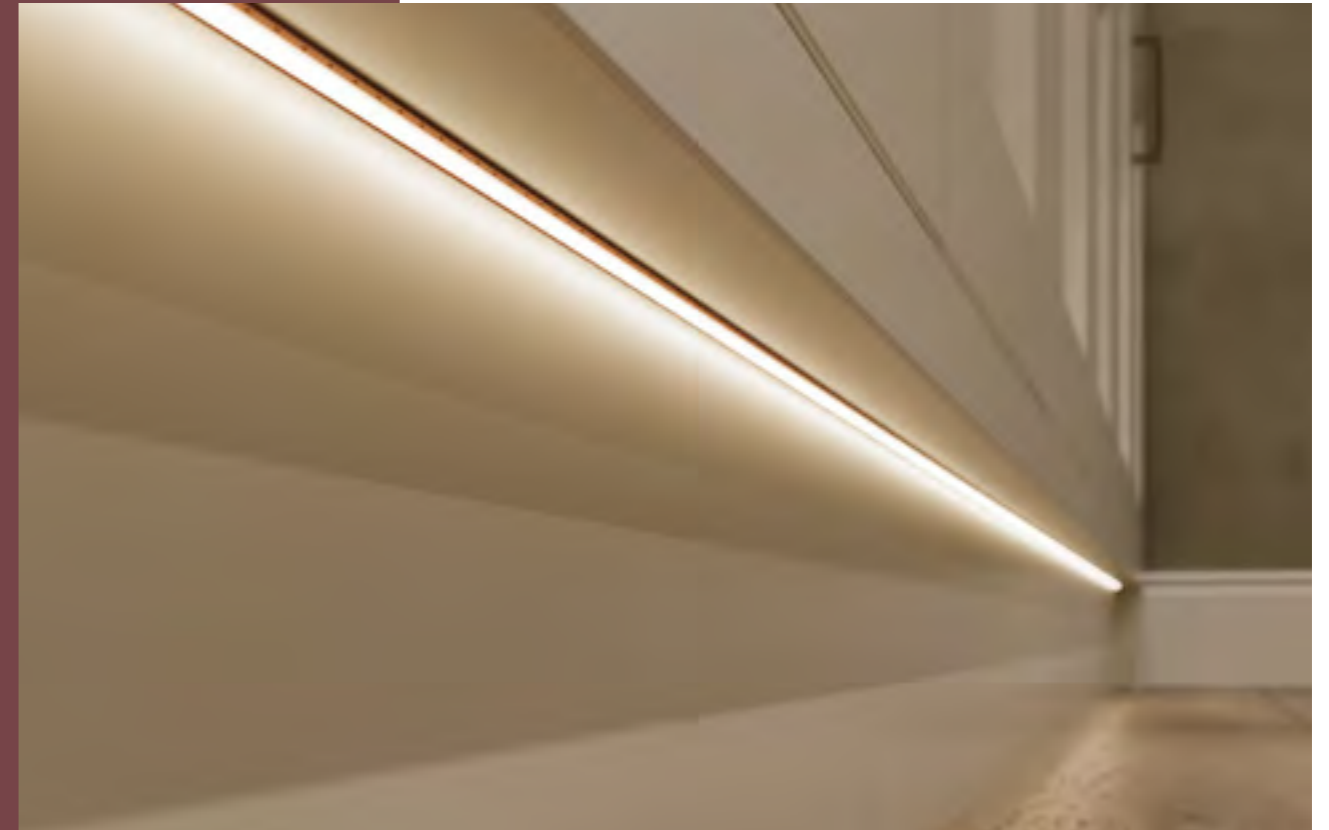
- **Single Colour:** Choose Natural white light (4000K) or Warm light (3000K).
- **Free cut:** Can be cut to any desired length.
- **Chip on Board (COB):** Technology provides seamless light output and efficiency.
- **No Voltage Drop:** 24V allows long runs of light without any fade, even across longer runs of 25m.
- **VHB (Very High Bond):** adhesive tape backing for secure installation.
- **Compatibility:** Adjust brightness when paired with Sensio controls and drivers.
- **Connection:** Pre-soldered 2.5m driver connection cables at each end.
- **Accessories:** Additional driver connection cable (sold separately) to utilise all cut lengths.
- **Registered design right:** 6366472.



Warm White - 3000K



Free-Cut - Trim the Polar X to the perfect length and re-use sections using the Polar or Universal Driver Leads.



Natural White - 4000K

Polar X™ - Cool White (5000K) | 512 LED/m | 6W/m

CODE	LENGTH	LUMENS	DRIVER	RRP
SE20055C0	5000mm	600lm/m	Required	£114.48

Polar X™ - Natural White (4000K) | 512 LED/m | 6W/m

CODE	LENGTH	LUMENS	DRIVER	RRP
SE040019NDNO	3000mm	600lm/m	Required	£67.08
SE20055N0	5000mm	600lm/m	Required	£114.48
SE040039NDNO	10,000mm	600lm/m	Required	£218.23
SE040049NDNO	25,000mm	600lm/m	Required	£503.51
SE20055N1	5000mm Kit	600lm/m	30W Inc.	£149.83

Polar X™ - Warm White (3000K) | 512 LED/m | 6W/m

CODE	LENGTH	LUMENS	DRIVER	RRP
SE040019NDW0	3000mm	600lm/m	Required	£67.08
SE20055W0	5000mm	600lm/m	Required	£114.48
SE040039NDW0	10,000mm	600lm/m	Required	£218.23
SE040049NDW0	25,000mm	600lm/m	Required	£503.51
SE20055W1	5000mm Kit	600lm/m	30W Inc.	£149.83

Accessories - Compatible with the existing Polar™ cables & accessories

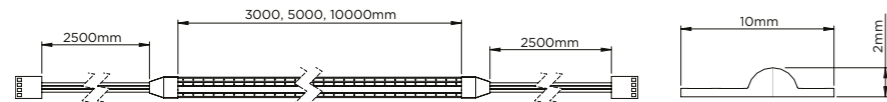
CODE	DESCRIPTION	RRP
SE105790	1500mm Polar™ Interconnecting Lead	£2.70
SE105990	50mm Polar™ Corner Connector	£2.04
SE103990	2500mm Polar™ Driver Connection Lead	£4.03
SE112990	Polar™ Joining Clip	£2.98

Polar X Pro™

Free-Cut Flexible CCT LED Strip

Providing all the benefits of the Polar X, with added colour changing technology The Polar X Pro offers a seamless transition between cool and warm colours temperatures to suite any space and design.

- **CCT:** Correlated Colour Temperature.
- **Free cut:** Can be cut to any desired length.
- **Chip on Board (COB):** Technology provides seamless light output and efficiency.
- **No Voltage Drop:** 24V allows long runs of light without any fade, even across longer runs of 25m.
- **VHB (Very High Bond):** adhesive tape backing for secure installation.
- **Compatibility:** Adjust brightness when paired with Sensio controls and drivers.
- **Connection:** Pre-soldered 2.5m driver connection cables at each end.
- **Accessories:** Additional driver connection cable (sold separately) to utilise all cut lengths.
- **Registered design right:** 6366473.



Polar X Pro™ - CCT (2700 - 6500K) | 512 LED/m | 6W/m

CODE	LENGTH	LUMENS	DRIVER	RRP
SE040009NDPO	3000mm	580lm/m	Required	£79.46
SE040029NDPO	5000mm	580lm/m	Required	£138.56
SE040039NDPO	10,000mm	580lm/m	Required	£265.31

Cables, connections & accessories

CODE	DESCRIPTION	RRP
SE900890	2500mm Polar Pro™ Driver Connection Lead	£5.64
SE901790	1500mm Polar Pro™ Interconnecting Lead	£4.46
SE902990	50mm Polar Pro™ Corner Connector	£3.58
SE903990	Polar Pro™ Joining Clip	£2.81
SE90010	2500mm CCT Extension Lead	£5.46



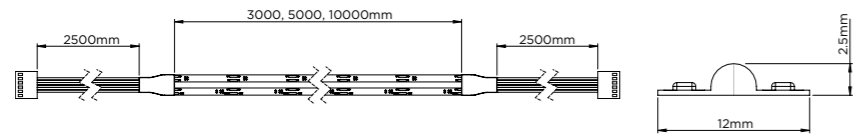
Free-Cut - Trim the Polar X Pro at any point to achieve the perfect fit.

Polar RGB CCT™

Flexible RGB CCT LED Strip

The Polar RGB CCT strip provides the ultimate colour changing solution. Allowing colours to be mixed and matched to create endless combinations, to suit any style, mood or atmosphere.

- **RGB+CCT:** Millions of colours plus adjustable white, from Warm to Cool.
- **Cut to size:** Cut marks every 36mm.
- **Chip on Board (COB):** Technology provides seamless light output and efficiency.
- **VHB (Very High Bond):** adhesive tape backing for secure installation.
- **Compatibility:** Adjust brightness when paired with Sensio controls and drivers.
- **Connection:** Pre-soldered 2.5m driver connection cables at each end.



Polar RGB CCT™ - Full colour RGB and white | 840 LED/m | 6W/m

CODE	LENGTH	LUMENS	DRIVER	RRP
SE040019NDRO	3000mm	3000mm	Required	£73.52
SE040029NDRO	5000mm	5000mm	Required	£125.04
SE040039NDRO	10,000mm	10,000mm	Required	£229.86

Cables, connections & accessories

CODE	DESCRIPTION	RRP
SE210039A0	1500mm Polar RGB CCT™ Interconnecting Cable	£6.48
SE901090	2500mm Polar RGB CCT™ Driver Connection Cable	£7.02
SE901190	Polar RGB CCT™ Joining Clip	£2.51
SE901290	50mm Polar RGB CCT™ Corner Connector	£3.83



RGB CCT - 2 colour modes deliver a choice of RGB or CCT, fully adjustable cool to warm white spectrum.

Radiant X™

Diffused Flexible LED Strip

Radiant X is a versatile, free-cut LED strip designed for seamless integration into modern installations. It offers both recessed, push-fit installation, eliminating the need for VHB adhesive, and surface-mounting with Radiant brackets. Its flexible design allows for smooth application around corners.

- **Single Colour:** Cool white light (6000K) Natural white light (4000K) or Warm light (2700K).
- **Free cut:** Can be cut to any desired length.
- **Recessed Installation:** a simple push-fit application and slim driver connection cable.
- **Bendable:** Easily flow around corner recesses
- **Push fit install:** No VHB adhesive backing for easy push fit installation.
- **Compatibility:** Adjust brightness when paired with Sensio controls and drivers.
- **Connection:** Pre-soldered 2.5m driver connection cables at each end.
- **Accessories:** Surface mounting installation with brackets (sold separately).

Radiant X™ - Cool White (5000K) | 160 LED/m | 4.8W/m

CODE	LENGTH	LUMENS	DRIVER	RRP
SE10555CO	5000mm	540 lm/m	Required	£97.46

Radiant X™ - Natural White (4000K) | 160 LED/m | 4.8W/m

CODE	LENGTH	LUMENS	DRIVER	RRP
SE105105NO	3000mm	540 lm/m	Required	£69.85
SE10555NO	5000mm	540 lm/m	Required	£97.46

Radiant X™ - Warm White (3000K) | 160 LED/m | 4.8W/m

CODE	LENGTH	LUMENS	DRIVER	RRP
SE10555WO	5000mm	540 lm/m	Required	£97.46

Cables, Connectors & Accessories

CODE	DESCRIPTION	RRP
SE900940	Pack of 5 Mounting Brackets	£1.01



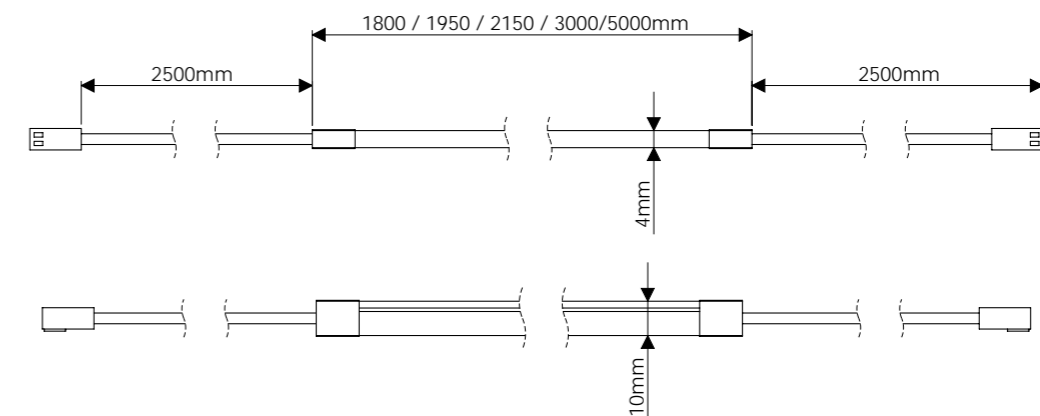
Now Cut-Free - The new Radiant X offers an increased diode count allowing trim to any length whilst maintaining power efficiency and brightness.



Routing - Re-engineered end caps provide a flush finish for clean installation when installing recessed.



Accessorised - Surface mount brackets, silicone end caps and connectors for rejoining recessed cables are included with every reel.

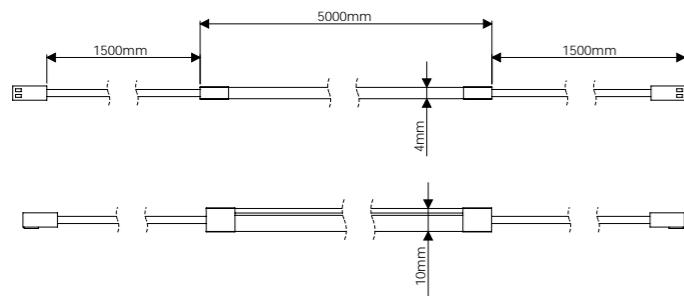


Radiant Pro™

CCT Diffused Flexible LED Strip

Providing all the benefits of the Radiant X, with added colour changing technology The Radiant Pro offers a seamless transition between cool and warm colours temperatures to suite any space and design.

- **CCT:** Correlated Colour Temperature.
- **Cut to size:** Cut marks every 50mm.
- **Recessed Installation:** a simple push-fit application and slim driver connection cable.
- **Bendable:** Easily flow around corner recesses
Push fit install: No VHB adhesive backing for easy push fit installation.
- **Compatibility:** Adjust brightness when paired with Sensio controls and drivers.
- **Connection:** Pre-soldered 2.5m driver connection cables at each end.
- **Accessories:** Surface mounting installation with brackets (sold separately).



Radiant Pro™ - CCT (2700K-6000K) | 160 LED/m | 4.8W/m

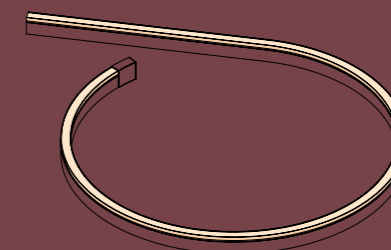
CODE	LENGTH	LUMENS	DRIVER	RRP
SE10555PO	5000mm	285 lm/m	Required	£134.06

Cables, Connectors & Accessories

CODE	DESCRIPTION	RRP
SE900940	Pack of 5 Mounting Brackets	£1.01



The indicated IP54 rating is certified to the silicone coated portion of this strip. Consult a qualified electrician to ensure correct installation near water outlets.



Beautiful Curves - The Radiant is flexible to a radius of 60mm or greater - Ideal for curving round an island unit

Razor 2mm™

Diffused Edge-lit LED Strip

A super-slim evolution of our fully diffused Polar COB strip. The Razor has a thin 2mm width providing a discrete appearance, while still offering a fully diffused light output.

The edge lit design allows the razor to be recessed into a narrow channel, creating a sleek lighting effect. Bending beautiful around corners for unique design installations.

- **Single Colour:** Choose Natural white light (4000K) or Warm light (3000K).
- **Cut to size:** Cut marks every 31mm.
- **Chip on Board (COB):** Technology provides seamless light output and efficiency.
- **Recessed Installation:** Easily recessed with a saw cut or router.
- **Bendable:** Easily flow around corner recesses.
- **Compatibility:** Adjust brightness when paired with Sensio controls and drivers.
- **Connection:** Pre-soldered 2.5m driver connection cables at each end.
- **Accessories:** Additional driver connection cable (sold separately) to utilise all cut lengths.

Razor 2mm™ - Natural White (4000K) | 320 LED/m | 4.8W/m

CODE	LENGTH	VHB TAPE	LUMENS	DRIVER	RRP
SE20099N0	3000mm	Yes	415 lm/m	Required	£57.06
SE20095N0	5000mm	Yes	415 lm/m	Required	£120.20

Razor 2mm™ - Warm White (3000K) | 320 LED/m | 4.8W/m

CODE	LENGTH	VHB TAPE	LUMENS	DRIVER	RRP
SE20099W0	3000mm	Yes	412 lm/m	Required	£57.06
SE20095W0	5000mm	Yes	412 lm/m	Required	£120.20

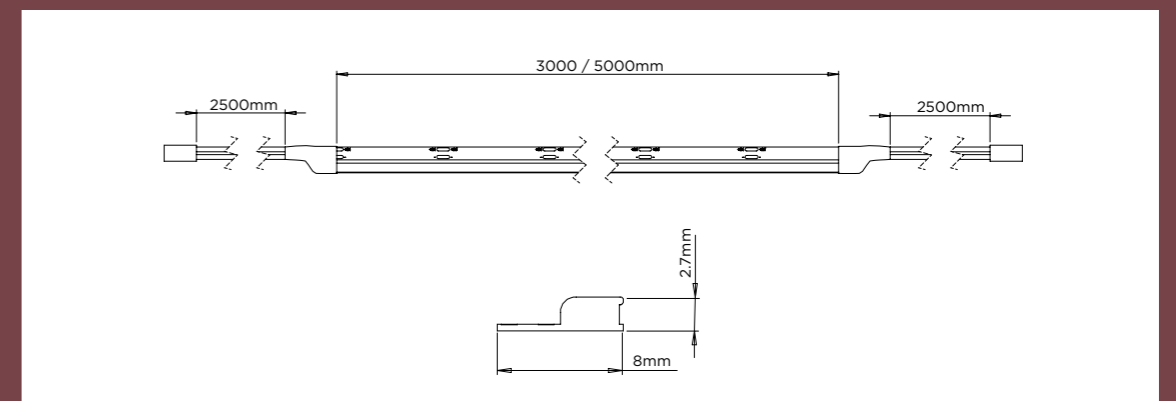
Cables, Connectors & Accessories

CODE	DESCRIPTION	RRP
SE900970	*2500mm Razor Driver Connection Cable (L&R)	£8.81
SE901950	*50mm Razor Corner Connector	£3.44
SE902950	*1500mm Razor Interconnecting Cable	£4.18
SE903950	*Razor Joining Clip	£2.34

*Available from October 2026



Application - The standard 2mm Razor is the only version with VHB pre-installed for surface mounted, edge-lit lighting. Ideal for running beneath shelving or casting light from a shadow gap.



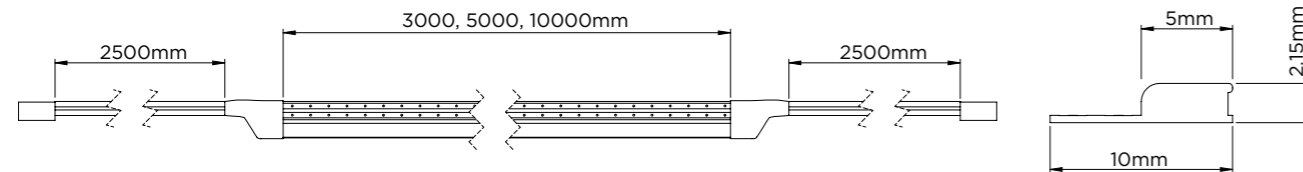
Razor X 2mm™

Free-Cut Recessed LED Strip

A super-slim evolution of our fully diffused Polar COB strip. The Razor X 2mm has a thin 2mm width providing a discrete appearance, while still offering a fully diffused light output.

The edge lit design allows the razor x 2mm to be recessed into a narrow channel, creating a sleek lighting effect. Bending beautiful around corners for unique design installations.

- **Single Colour:** Choose Natural white light (4000K) or Warm light (3000K).
- **Free cut:** Can be cut to any desired length.
- **Chip on Board (COB):** Technology provides seamless light output and efficiency.
- **Recessed Installation:** Easily recessed with a saw cut or router.
- **Bendable:** Easily flow around corner recesses.
- **Push fit install:** No VHB adhesive backing for easy push fit installation.
- **Compatibility:** Adjust brightness when paired with Sensio controls and drivers.
- **Connection:** Pre-soldered 2.5m driver connection cables at each end.
- **Accessories:** Additional driver connection cable (sold separately) to utilise all cut lengths.
- **Profiles:** Pair with the Edge profile, designed specifically for the Razor X strip.
- **Registered design right:** 6371779.



Razor X 2mm™ - Natural White (4000K) | 512 LED/m | 6W/m

CODE	VHB	LENGTH	LUMENS	DRIVER	RRP
SE21094NO	No	3000mm	200lm/m	Required	£67.85
SE21095NO	No	5000mm	200lm/m	Required	£114.48
SE21096NO	No	10,000mm	200lm/m	Required	£218.23

Razor X 2mm™ - Warm White (3000K) | 512 LED/m | 6W/m

CODE	VHB	LENGTH	LUMENS	DRIVER	RRP
SE21094WO	No	3000mm	200lm/m	Required	£67.85
SE21095WO	No	5000mm	200lm/m	Required	£114.48
SE21096WO	No	10,000mm	200lm/m	Required	£218.23

Accessories

CODE	ACCESSORY	RRP
SE900980	*2500mm Razor X Driver Connection Cable Kit (Left&Right)	£6.72
SE210019A0	*1500mm Razor X Interconnecting Cable	£3.22

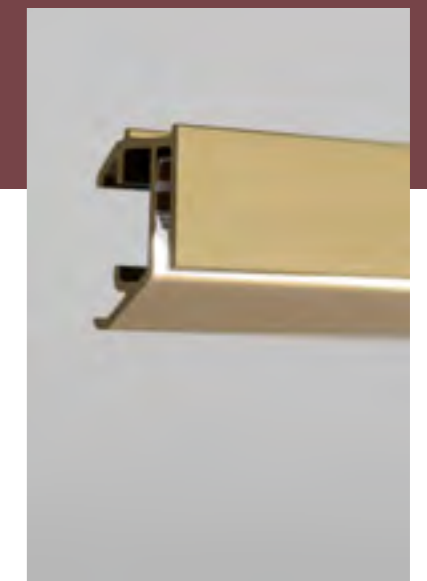
*Available from October 2026



Simple Routing - The 2mm edge-lit design allows for simple routing with a circular saw blade.



Free-Cut - Trim the Razor X at any point to achieve the perfect fit.



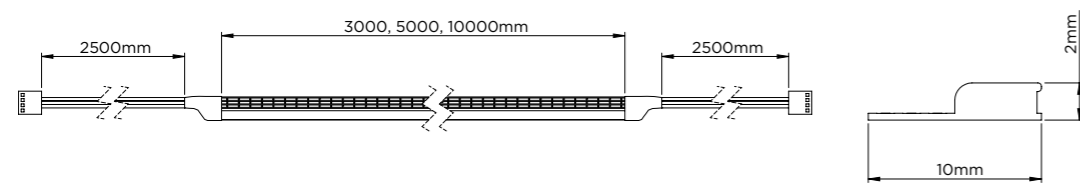
Flexible Application - Both the Razor X 2mm and Razor X Pro 2mm install harmoniously with the Edge profile. (See p.88)

Razor X Pro 2mm™

Free-Cut Recessed CCT LED Strip

Providing the benefits of the super slim Razor X 2mm but with colour changing technology (CCT). The Razor X Pro 2mm seamlessly transitions from Warm White (2700K) to Cool White (6500K) with colour changing technology.

- **CCT:** Correlated Colour Temperature.
- **Free cut:** Can be cut to any desired length.
- **Chip on Board (COB):** Technology provides seamless light output and efficiency.
- **Recessed Installation:** Easily recessed with a saw cut or router.
- **Bendable:** Easily flow around corner recesses.
- **Push fit install:** No VHB adhesive backing for easy push fit installation.
- **Compatibility:** Adjust brightness when paired with Sensio controls and drivers. Connection: Pre-soldered 2.5m driver connection cables at each end.
- **Accessories:** Additional driver connection cable (sold separately) to utilise all cut lengths.
- **Profiles:** Pair with the Edge profile, designed specifically for the Razor X strip.
- **Registered design right:** 6371778.



Razor X Pro 2mm™ - CCT 2700-6000K | 512 LED/m | 6W/m

CODE	LENGTH	LUMENS	DRIVER	RRP
SE21094PO	3000mm	200lm/m	Required	£79.25
SE21095PO	5000mm	200lm/m	Required	£138.56
SE21096PO	10,000mm	200lm/m	Required	£265.31

Cables, connections & accessories

CODE	ACCESSORY	RRP
SE900990	*Razor X Pro Driver Cable Kit (Left & Right))	£4.94
SE210029A0	*Razor X Pro 1500mm Interconnecting Cable	£3.80

*Available from October 2026



Simple Routing - The 2mm edge-lit design allows for simple routing with a circular saw blade.



Free-Cut - Trim the Razor X at any point to achieve the perfect fit.



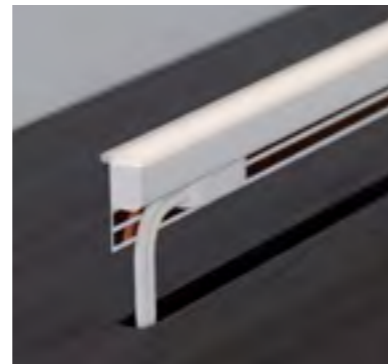
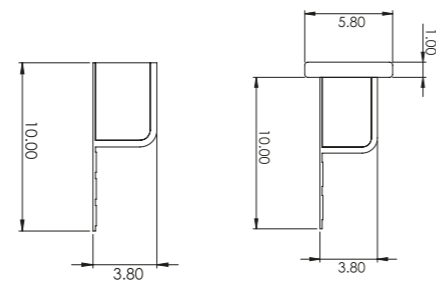
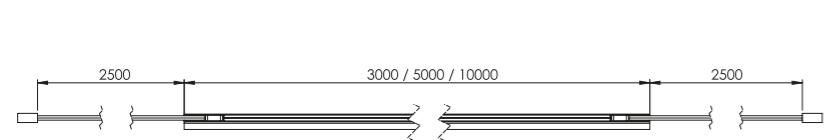
Flexible Application - Both the Razor X 2mm and Razor X Pro 2mm install harmoniously with the Edge profile. (See p.88).

Razor X 4mm™

Free-Cut Recessed Flexible LED Strip

Razor X 4mm is a chip-on-board (COB) lighting solution, designed with manufactures in mind. Available with or without wings. Its 4mm width fits perfectly into grooves made with standard saw blades, whether cut on-site or in the factory. The flexible, edge-lit design allows the strip to bend around curves and corners with ease.

- **Single Colour:** Choose Natural white light (4000K) or Warm light (3000K).
- **Free cut:** Can be cut to any desired length.
- **Chip on Board (COB):** Technology provides seamless light output and efficiency.
- **Recessed Installation:** For anyone with routing capabilities, either CNC machine or hand routing.
- **Bendable:** Easily flow around corner recesses.
- **Push fit install:** No VHB adhesive backing for easy push fit installation.
- **Winged version available:** For a clean finish to cover routing imperfections.
- **Flexible driver connection cable:** For either side or back cable placement.
- **Compatibility:** Adjust brightness when paired with Sensio controls and drivers.
- **Connection:** Pre-soldered 2.5m driver connection cables at each end.
- **Accessories:** Additional driver connection cable (sold separately) to utilise all cut lengths.
- **Registered design right:** 6371779 (winged): 6443845.



Clean Cable Management
- Flexible cable join allows the cable to exit through a drilled hole in the routed channel.



Razor Winged - Provides a tidy finish when manufacturing laminated materials that are prone to chipped edges.



Craft Elegant Lighting Inlays - The Razor X 4mm was created with CNC routing in mind. Ideal for creating pre-routed cabinetry, ready to accept lighting with a simple push fit on installation. Choose the standard version for a flush finish in solid surfaces or the winged version to ensure a neat edge where chips may occur.

Razor X 4mm™ - Natural White 4000K | 512 LED/m | 6W/m

CODE	VHB	LENGTH	LUMENS	DRIVER	RRP
SE00137	No	3000mm	508 lm/m	Required	£67.85
SE00140	No	5000mm	508 lm/m	Required	£114.48
SE00161	No	5000mm (Winged)	508 lm/m	Required	£116.40
SE00143	No	10,000mm	508 lm/m	Required	£226.80

Razor X 4mm™ - Warm White 3000K | 512 LED/m | 6W/m

CODE	VHB	LENGTH	LUMENS	DRIVER	RRP
SE00136	No	3000mm	508 lm/m	Required	£67.85
SE00139	No	5000mm	508 lm/m	Required	£114.48
SE00160	No	5000mm (Winged)	508 lm/m	Required	£116.40
SE00142	No	10,000mm	508 lm/m	Required	£226.80

Cables, Connectors & Accessories

CODE	DESCRIPTION	RRP
SE00145	*Razor X 4mm 2.5m Driver Connection Cable	£4.97

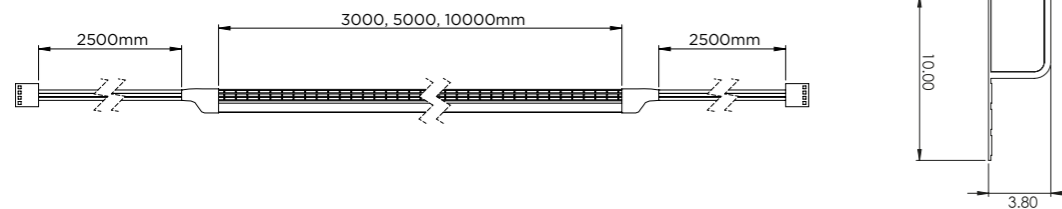
*Available from October 2026

Razor X Pro 4mm™

Free-Cut Recessed Flexible LED Strip

With all the benefits of flexible Razor X but with correlated colour temperature (CCT). The Razor X Pro 4mm seamlessly transitions from Warm White (2700K) to Cool White (6500K) with colour changing technology

- **CCT:** Correlated Colour Temperature.
- **Free cut:** Can be cut to any desired length.
- **Chip on Board (COB):** Technology provides seamless light output and efficiency.
- **Recessed Installation:** For anyone with routing capabilities, either CNC machine or hand routing.
- **Bendable:** Easily flow around corner recesses.
- **Push fit install:** No VHB adhesive backing for easy push fit installation.
- **Flexible driver connection cable:** For either side or back cable placement.
- **Compatibility:** Adjust brightness when paired with Sensio controls and drivers.
- **Connection:** Pre-soldered 2.5m driver connection cables at each end.
- **Accessories:** Additional driver connection cable (sold separately) to utilise all cut lengths.
- **Registered design right:** 6371778.



Razor X Pro 4mm™ - CCT 2700 - 6000K | 512 LED/m | 6W/m

CODE	LENGTH	LUMENS	DRIVER	RRP
SE00138	3000mm	508mm	Required	£81.00
SE00141	5000mm	508mm	Required	£139.50
SE00144	10,000mm	508mm	Required	£267.00

Cables, connections & accessories

CODE	ACCESSORY	RRP
SE900146	*Razor X Pro 4mm Driver Cable Kit (L&R)	£6.20

*Available from October 2026



Craft Elegant Lighting Inlays

- The Razor X Pro 4mm was created with CNC routing in mind. Ideal for creating pre-routed cabinetry, ready to accept lighting with a simple push fit on installation.



Sigma 2™

Bendable LED Flexible Strip

An innovative bendable flexible strip that handles 90 degree corners with ease using its 'zig-zag' shape for superb flexibility.

- **Single Colour:** Choose Cool white (5000k) Natural white light (4000K) or Warm light (3000K).
- **Cut to size:** Cut marks every 50mm.
- **Bendable:** Easily flow around 90 corner recesses.
- **VHB (Very High Bond):** adhesive tape backing for secure installation.
- **Compatibility:** Adjust brightness when paired with Sensio controls and drivers.
- **Accessories:** Additional driver connection cable (sold separately) to utilise all cut lengths.
- **Updated for 2026:** Sigma 2 now comes with pre-soldered driver leads at both ends.

Sigma 2™ - Cool White (5000K) | 120 LED/m | 4.8W/m

CODE	LENGTH	LUMENS	DRIVER	RRP
SE10855C0	5000mm	570 lm/m	Required	£47.10
SE10855C1	5000mm	570 lm/m	30W included	£90.71

Sigma 2™ - Natural White (4000K) | 120 LED/m | 4.8W/m

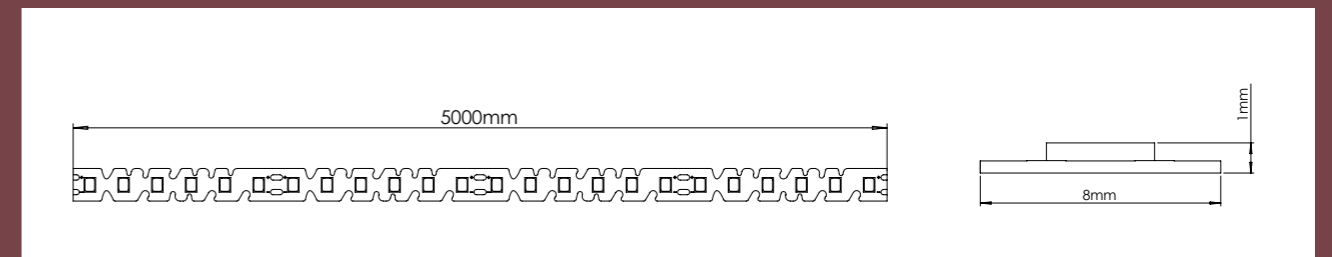
CODE	LENGTH	LUMENS	DRIVER	RRP
SE10855N0	5000mm	575 lm/m	Required	£47.10
SE10855N1	5000mm	575 lm/m	30W included	£90.71

Sigma 2™ - Warm White (3000K) | 120 LED/m | 4.8W/m

CODE	LENGTH	LUMENS	DRIVER	RRP
SE10855W0	5000mm	530 lm/m	Required	£47.10
SE10855W1	5000mm	530 lm/m	30W included	£90.71

Cables, Connectors & Accessories

CODE	DESCRIPTION	RRP
SE970750	1500mm Interconnecting cable	£5.74
SE970850	2500m Driver Connection Lead	£6.23
SE970950	Joining Clip	£1.97



Effortless Corners - The unique circuitboard design, developed by our team, allows the Sigma 2 to be installed around a flat corner. This provides an excellent solution for delivering illumination beneath worktops and plinths without shadow gaps.



Viva 3™

Flexible LED Strip

A versatile flexible strip ideal for kitchen or bedroom use, under cabinets, along plinths or inside cabinets or wardrobes.

- **Single Colour:** Choose Cool white (5000k) Natural white light (4000K) or Warm light (3000K).
- **Cut to size:** Cut marks every 50mm.
- **Easy Installation:** Male & Female ends for simple connection.
- **VHB (Very High Bond):** adhesive tape backing for secure installation.
- **Compatibility:** Adjust brightness when paired with Sensio controls and drivers.
- **Accessories:** Additional driver connection cable (sold separately) to utilise all cut lengths.

Viva 3™ - Cool White (5500K) | 120 LED/m | 3.6W/m

CODE	LENGTH	LUMENS	DRIVER	RRP
SE10745C0	500mm	520 lm/m	Required	£7.87
SE10715C0	1000mm	520 lm/m	Required	£15.65
SE10715C1	1000mm	520 lm/m	6W included	£44.18
SE10725C0	2000mm	520 lm/m	Required	£25.99
SE10725C1	2000mm	520 lm/m	15W included	£61.00
SE10655C0	5000mm	520 lm/m	Required	£61.00
SE10655C1	5000mm	520 lm/m	30W included	£113.12

Viva 3™ - Natural White (4000K) | 120 LED/m | 3.6W/m

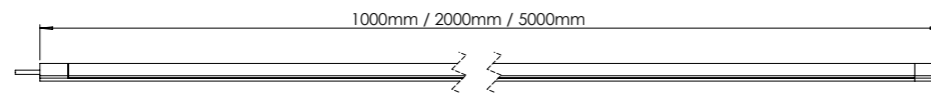
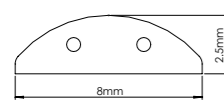
CODE	LENGTH	LUMENS	DRIVER	RRP
SE10715N0	1000mm	505 lm/m	Required	£15.65
SE10715N1	1000mm	505 lm/m	6W included	£44.18
SE10725N0	2000mm	505 lm/m	Required	£25.99
SE10725N1	2000mm	505 lm/m	15W included	£61.00
SE10655N0	5000mm	505 lm/m	Required	£61.00
SE10655N1	5000mm	505 lm/m	30W included	£113.12

Viva 3™ - Warm White (3000K) | 120 LED/m | 3.6W/m

CODE	LENGTH	LUMENS	DRIVER	RRP
SE10745W0	500mm	470 lm/m	Required	£7.87
SE10715W0	1000mm	470 lm/m	Required	£15.65
SE10715W1	1000mm	470 lm/m	6W included	£44.18
SE10725W0	2000mm	470 lm/m	Required	£25.99
SE10725W1	2000mm	470 lm/m	15W included	£61.00
SE10655W0	5000mm	470 lm/m	Required	£61.00
SE10655W1	5000mm	470 lm/m	30W included	£113.12

Cables, Connectors & Accessories

CODE	DESCRIPTION	RRP
SE10314	2500mm Driver Connection Cable	£4.19
SE10317	1500mm Interconnecting Lead	£3.16
SE10316	50mm Corner Connector	£3.28
SE10318MCC	Mini Cut Connector Clip	£4.19



2500mm Driver Connection Cable (SE10314) is required to run the Viva 3 (sold separately)



Plug & Play - The mini clip allows the female end of a cut strip to be re-used.



Plug & Play - The Viva 3 driver lead connects the male end of the strip to the driver.

Available from October 2026

Universal Flex Strip Connectors™

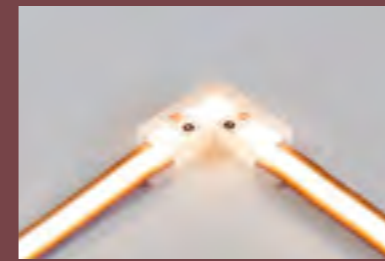
For 8-10mm Flexible LED Strips

Designed for seamless integration with Sensio (8mm - 10mm wide), the Universal Accessories range ensures easy installation and consistent light output across your lighting plan. The translucent connectors provide a continuous, diffused glow with no visible dark spots, helping you create clean, professional results without the need to source individual connectors.

- **Corner Connector:** Join two LED strips at a 90° angle, perfect for perimeter or corner lighting installations. Universal Corner Connector registered Design Right: 6428459.
- **Joining Clip:** Easily link two LED strips together for longer continuous runs. Universal Joining Clip registered Design Right: 6428458.
- **T-Junction:** Join two LED strips at a 90° angle, perfect for perimeter or corner lighting installations. Universal T-Junction Connector registered Design Right: 6428460.
- **2-pin Driver Lead:** Connects any single or duo colour strip to a Titan+ driver, single colour receiver or port expander. Registered Design Right: 6428456.
- **4-pin Driver Lead:** Connects any CCT strip to a Titan CCT Kinetic driver, CCT receiver or port expander. Registered Design Right: 6428457.
- **1500mm Interconnecting Cable:** Joins the cut ends of any two flexible strips and is compatible with both single colour and CCT strips.

Universal Flexible Strip Connectors & Leads

CODE	DESCRIPTION	RRP
SE00175	Universal 2500mm Driver Connection Lead (2-pin)	£3.60
SE00176	Universal 2500mm Driver Connection Lead (4-pin)	£4.74
SE00177	Universal 1500mm Interconnecting Lead	£3.65
SE00179	Universal Corner Connector	£2.61
SE00178	Universal Joining Clip	£2.06
SE00180	Universal T-Junction Connector	£2.61



Compatibility - The universal connectors and leads work with Primo 2, Primo X, Sigma 2, Polar, Polar Pro, Polar X & Polar X Pro.

PROFILES & INTEGRATED SOLUTIONS

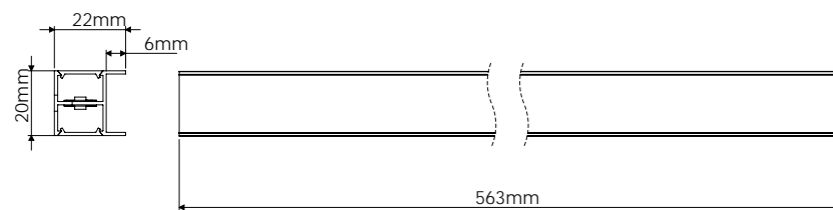


Genoa™

Integrated LED Shelf Profile

A discreet integrated light profile that clips onto the back of an internal cupboard shelf (18mm depth) which illuminates both up and down the cabinet back.

- **Top & Bottom Illumination:** Two channels, allowing for multiple direction of light.
- **Push-fit diffuser:** Plastic diffuser ensures uninterrupted, even illumination across long runs.
- **Strip Compatibility:** Integrated flexible strip.
- **Single Colour:** Natural white light (4500K).
- **Rear cable management:** Pre-cut channel concealing power cables.
- **Compatibility:** Adjust brightness when paired with Sensio controls and drivers.



Genoa™ Integrated LED Shelf Profile - Cool White (4500K)

CODE	LENGTH	LUMENS	WATTAGE	QTY	DRIVER	RRP
SE18592C0	563 mm	500 lm	8.9 W	1	Required	£42.36

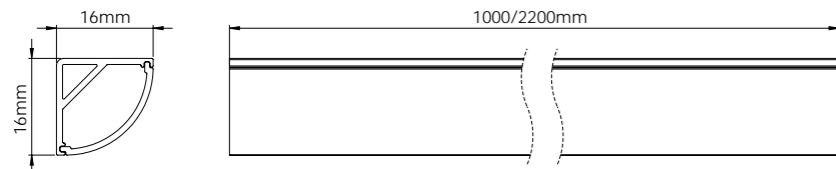


Beam™

Angled Profile

The Beam profile applies directly to the desired surface with a simple push fit into the supplied brackets. Housing the LED strip in this profile not only diffuses the light, but projects it forward at 45 degrees for a wide-angle spread of light.

- **Angled Light Source:** Directs light precisely while reducing glare.
- **Universal Strip Compatibility:** Suitable for all Sensio flexible LED strips.
- **Corner Mounted:** Angled design suitable for corner applications.
- **Side cable management:** Pre-cut channel in ends caps for power cables.
- **Free cut:** Can be cut to any desired length.
- **Accessories:** 1m profile supplied with 2 x end caps. 2.2m & 2.5m profile supplied with 4 x mounting brackets and 2 x end caps.



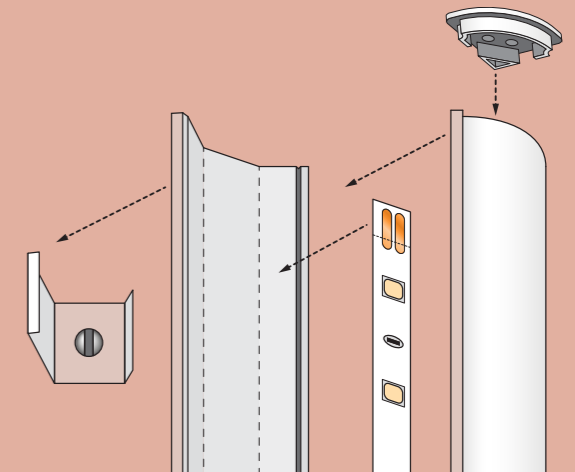
Universal - Compatible with all flexible strips up to 10mm width

Beam™ - Angled Profile

CODE	LENGTH	DESCRIPTION	RRP
SE982120	1000mm	Profile, 2 Brackets & 2 End Caps (L&R)	£11.10
SE982220	2200mm	Profile, 4 Brackets & 2 End Caps (L&R)	£22.96
SE982320	2500mm	Profile, 4 Brackets & 2 End Caps (L&R)	£24.08

Cables, Connectors & Accessories

CODE	DESCRIPTION	RRP
SE983050.1	Beam End Cap Set	£1.32
SE984050.1	Beam Mounting Bracket Set	£1.32



Application

Step 1 - Supplied mounting brackets are measured and secured into place in the corner

Step 2 - LED strip applies to the inner base of the profile channel and the Beam then slots into the place in the brackets

Step 3 - The removable arched cover and end caps slot into place to provide a seamless finish and diffused lighting



Simple Installation - End caps and brackets supplied with every profile plus additional sets available. End caps are notched for efficient cable management.

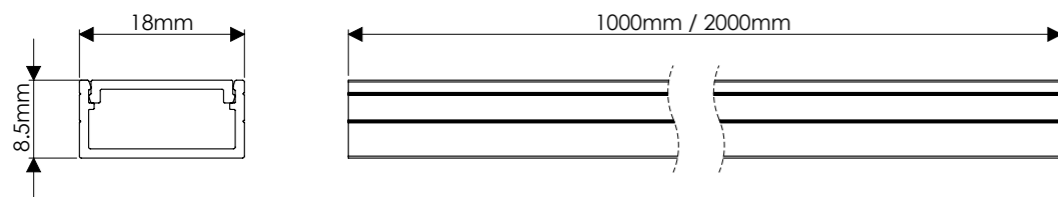


Fino™

Surface Mounted Profile

A surface mounted profile with diffusing cover allows for optimum light transfer while diffusing the individual diodes of the LED strip. Available in aluminium and black finishes to complete your units.

- **Fully Diffused:** White diffusion lens (aluminium variant) or black diffusion lens (black variant).
- **Universal Strip Compatibility:** Suitable for all Sensio flexible LED strips.
- **Surface Mounted:** Ideal for under-cabinet, shelf, or interior cabinet installations.
- **Side cable management:** Pre-cut channel in ends caps for power cables.
- **Free cut:** Can be cut to any desired length.
- **Accessories:** 1m profile supplied with 2 x end caps. 2m & 2.5m profile supplied with 4 x mounting brackets and 2 x end caps.



Universal - Compatible with all flexible strips up to 10mm width

Fino™ - Surface Mounted Profile

CODE	FINISH	LENGTH	DESCRIPTION	RRP
SE981120	Aluminium	1000mm	Profile, Mounting Brackets & End Caps (L&R)	£10.94
SE981220	Aluminium	2000mm	Profile, Mounting Brackets & End Caps (L&R)	£22.66
SE981320	Aluminium	2500mm	Profile, Mounting Brackets & End Caps (L&R)	£24.84
SE981180	Black	1000mm	Profile, Mounting Brackets & End Caps (L&R)	£16.28
SE981280	Black	2000mm	Profile, Mounting Brackets & End Caps (L&R)	£33.36
SE981380	Black	2500mm	Profile, Mounting Brackets & End Caps (L&R)	£34.30

Cables, Connectors & Accessories

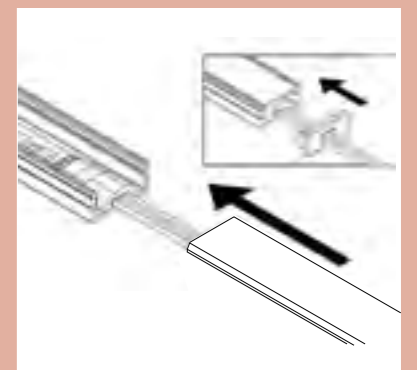
CODE	DESCRIPTION	RRP
SE982050	Fino Aluminium End Cap Set	£1.16
SE982080	Fino Black End Cap Set	£1.20
SE981050	Fino Mounting Bracket Set	£1.28



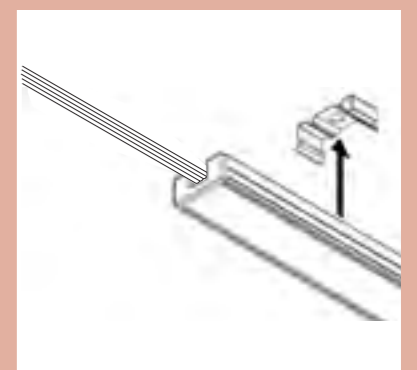
Application



Step 1 - The Fino accepts all flexible strips. Cut the aluminium profile and strip to length, then apply the strip into the base of the channel.



Step 2 - Slide the diffusing cover into place and then slot in the end caps, taking care to use the notched endcap over the power cable.



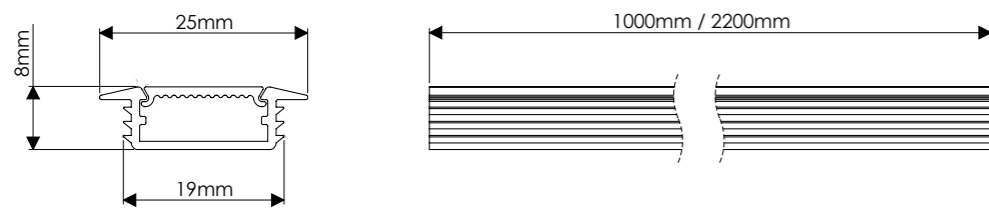
Step 3 - The mounting brackets are secured to the surface where the profile is to be installed and then the Fino simply pushes into the brackets to secure.

Linia™

Recessed Profile

The Linia is a versatile solution that will sit comfortably under cabinets, inside larders or inside wardrobes. The LED strip profile installation is made quick and simple by the metal barbs located at either side. Simply push the profile into a 19mm recessed channel to achieve a flush fit.

- **Fully Diffused:** White diffusion lens (aluminium variant) or black diffusion lens (black variant).
- **Universal Strip Compatibility:** Suitable for all Sensio flexible LED strips.
- **Recessed Installation:** Creates a flush, built-in finish when routed into furniture.
- **Side cable management:** Pre-cut channel in ends caps for power cables.
- **Free cut:** Can be cut to any desired length.
- **Accessories:** 1m and 2.2m profile supplied with 2 x end caps. 2m, 2.5m profile supplied with 4 x end caps.
- **Protruding End Caps:** Fill gaps created by router cuts for a neat appearance.



Universal - Compatible with all flexible strips up to 10mm width

Linia™ - Recessed Profile

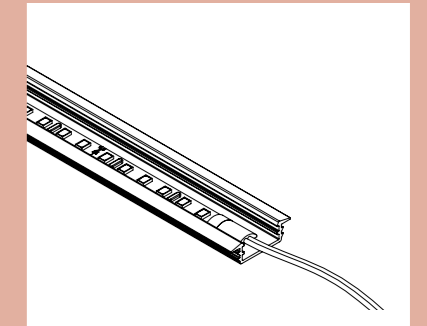
CODE	FINISH	LENGTH	DESCRIPTION	RRP
SE980120	Aluminium	1000mm	Profile & End Caps (L&R)	£10.64
SE980220	Aluminium	2200mm	Profile & End Caps (L&R)	£22.88
SE980320	Aluminium	2500mm	Profile & 4 End Caps (L&R)	£25.02
SE980180	Black	1000mm	Profile & End Caps (L&R)	£15.95
SE980280	Black	2200mm	Profile & End Caps (L&R)	£34.81
SE980380	Black	2500mm	Profile & 4 End Caps (L&R)	£35.94

Cables, Connectors & Accessories

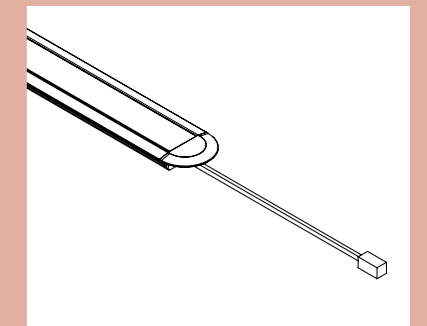
CODE	DESCRIPTION	RRP
SE980920	Linia Silver End Cap Set	£1.16
SE980980	Linia Black End Cap Set	£1.20



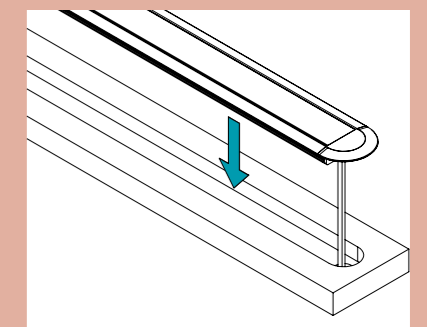
Application



Step 1 - Cut the flexible strip to length, then secure it to the base of the profile



Step 2 - Slide in the diffused cover and attach the end caps



Step 3 - Lay the Linia into a pre-routed channel, sitting flush to the surface



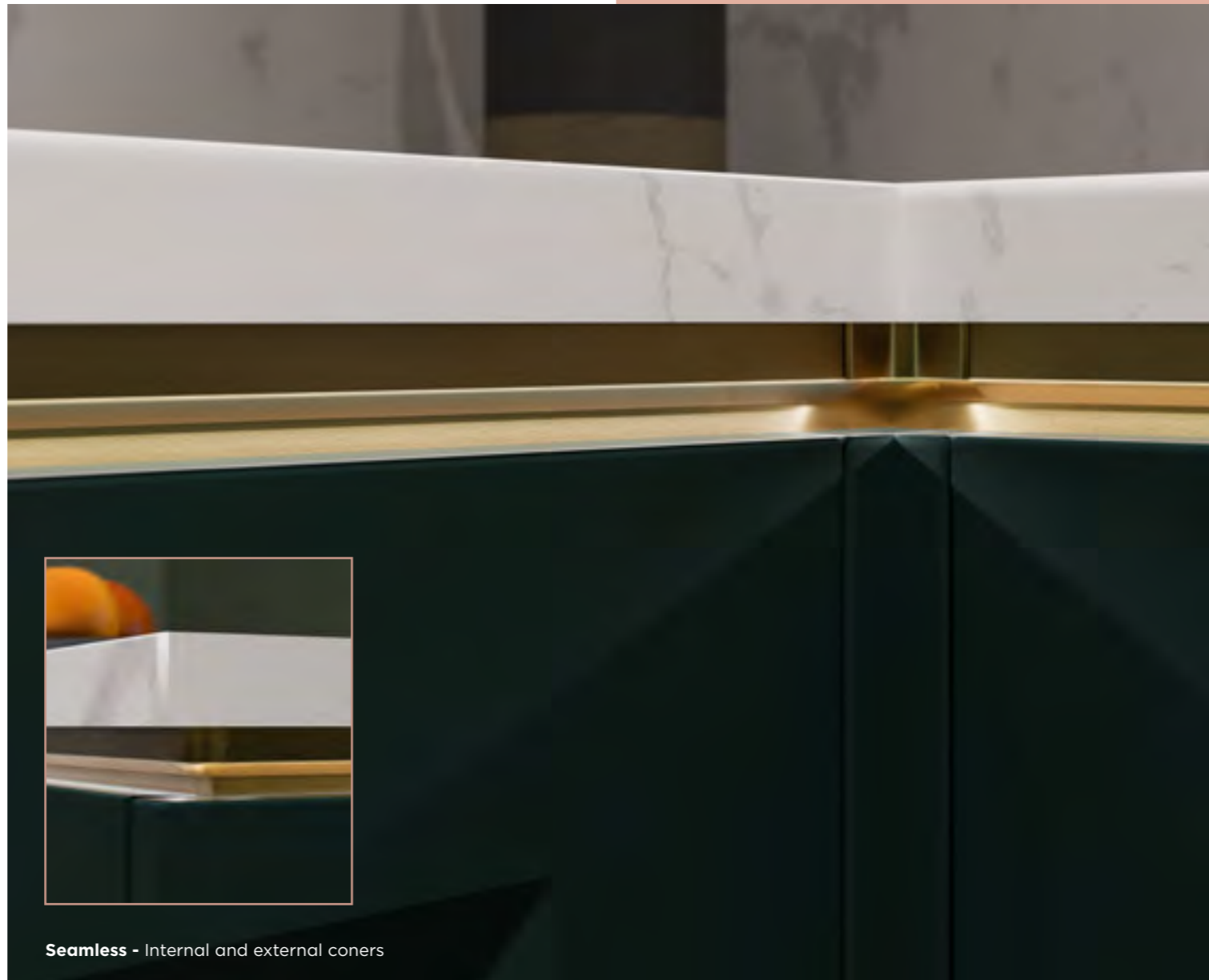
Rounded end caps cover the edges of the routed channel to ensure a neat finish.

Edge™

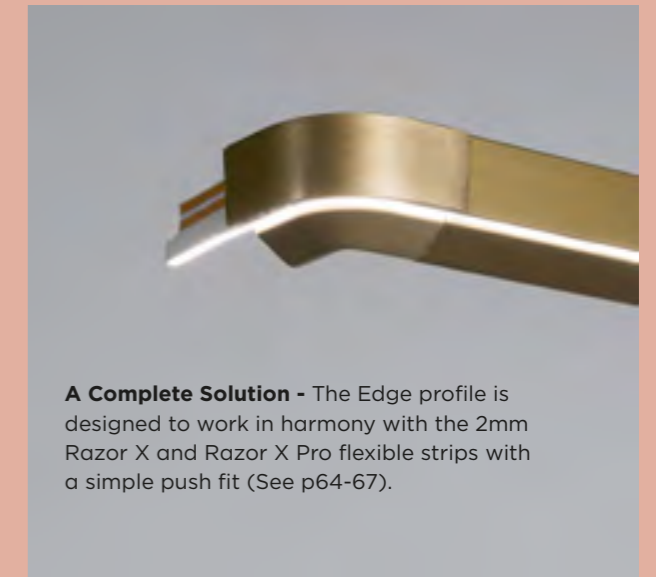
Unique Profile for Handleless Kitchens & Plinths

The Edge profile is the perfect solution for contemporary handle-less kitchens and plinths, elevating designs to a premium finish. Designed specifically for use with Razor X 2mm and Razor X Pro 2mm LED flexible strips, this profile creates a powerful source of mood lighting without the need of a diffuser. With a simple 'peel and stick' installation, the Edge couldn't be easier.

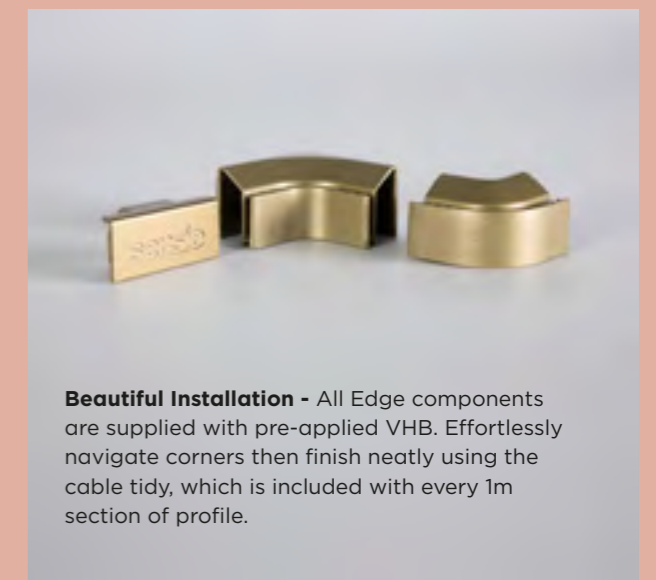
- **No Diffuser Required:** Designed to work without a diffuser when paired with specific LED strips.
- **Strip Compatibility:** Created for Razor 2mm range.
- **Peel & Stick Installation:** Supplied with pre-applied VHB tape for fast mounting.
- **Unique locking mechanism:** Allows profiles to be joined together for longer runs of light.
- **Cable management:** Matching cable tidy clip provided to hide power cables.
- **Accessories:** Allow light to bend round corners with Internal and External corners (sold separately).
- **Registered Design Right:** 6371780.



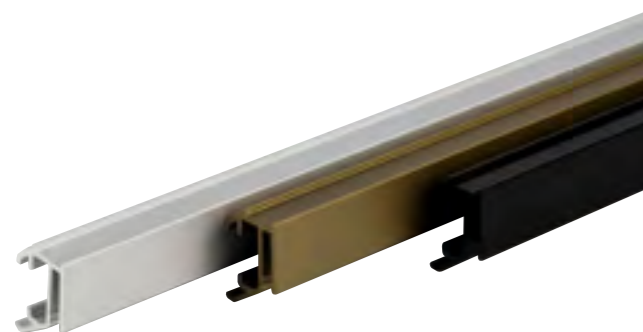
Seamless - Internal and external coners



A Complete Solution - The Edge profile is designed to work in harmony with the 2mm Razor X and Razor X Pro flexible strips with a simple push fit (See p64-67).



Beautiful Installation - All Edge components are supplied with pre-applied VHB. Effortlessly navigate corners then finish neatly using the cable tidy, which is included with every 1m section of profile.

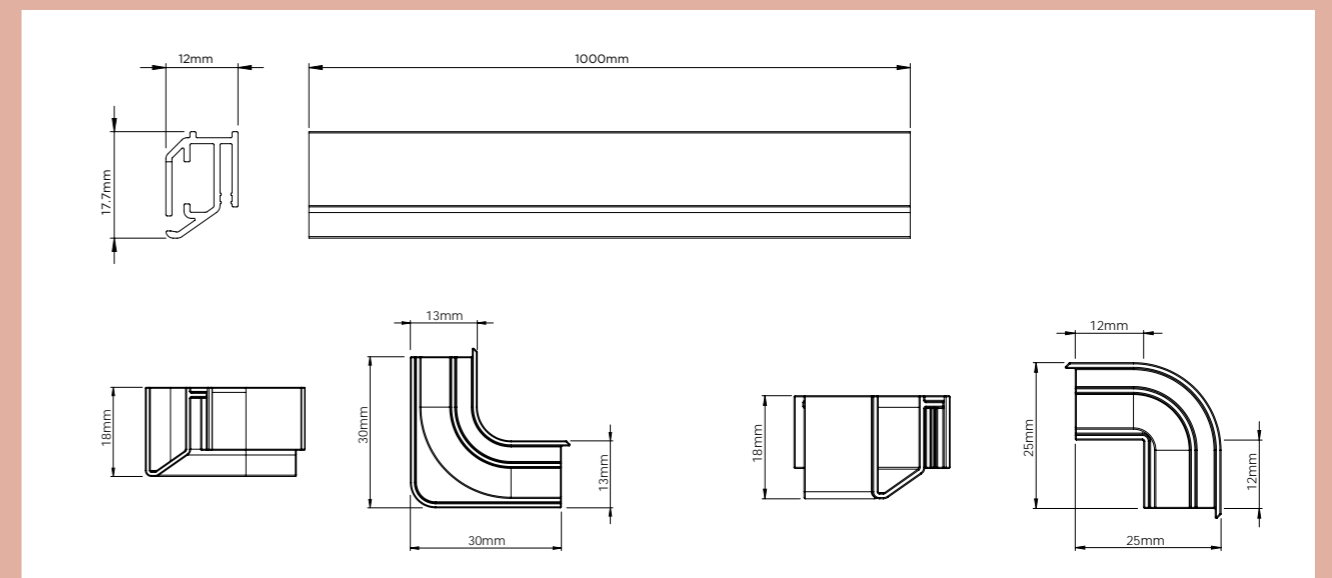


Edge™ - Profile Lengths

CODE	COLOUR	LENGTH	RRP
SE100012A0	Aluminium	1000mm	£18.64
SE100013A0	Black	1000mm	£19.09
SE100016A0	Brass	1000mm	£19.09

Accessories

CODE	COLOUR	APPLICATION	RRP
SE100029A0	Aluminium	Internal Corner	£5.78
SE100023A0	Black	Internal Corner	£5.94
SE100026A0	Brass	Internal Corner	£5.94
SE100039A0	Aluminium	External Corner	£5.78
SE100033A0	Black	External Corner	£5.94
SE100036A0	Brass	External Corner	£5.94



Zella™

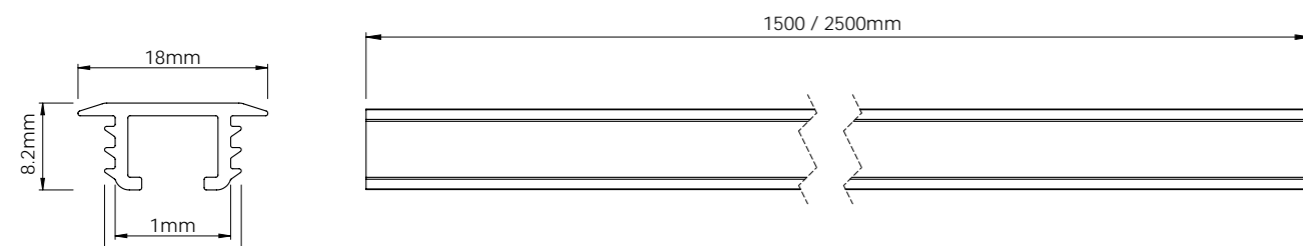
Acrylic Profile for Recessed Installation

A cost effective, plastic recessable profile provides a fully diffused light for a soft and even glow, while the wings cover routing imperfections. The barbed side walls hold the profile securely in place for simple push fit installation.

- **Fully Diffused:** Eliminates visible LED dots for a clean, continuous glow.
- **Push-Fit Installation:** Simple push-fit design with barbed side walls hold the profile securely in place.
- **Universal Strip Compatibility:** Suitable for all Sensio flexible LED strips.
- **Recessed Installation:** Creates a flush, built-in finish when routed into furniture.
- **Side cable management:** Pre-cut channel in ends caps for power cables.
- **Free cut:** Can be cut to any desired length. Protruding End Caps: Fill gaps created by router cuts for a neat appearance.
- **Registered Design Rights:** 6341999.

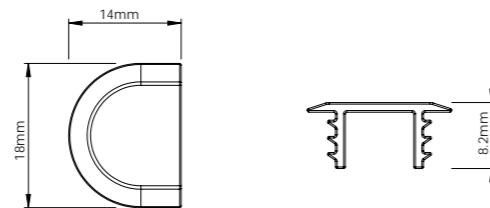


Single piece diffusing cover - reduces wastage and installation time over traditional aluminium profiles.



Zella™ - white diffusing profile

CODE	LENGTH	RRP
SE100019NDA0	1500mm	£8.35
SE100029NDA0	2500mm	£14.29



Ray™

Angled profile / Illuminated profile

The Ray profile provides fully diffused, angled illumination both in linear direction and seamlessly around bends, with corner connectors.

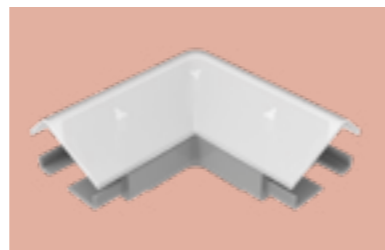
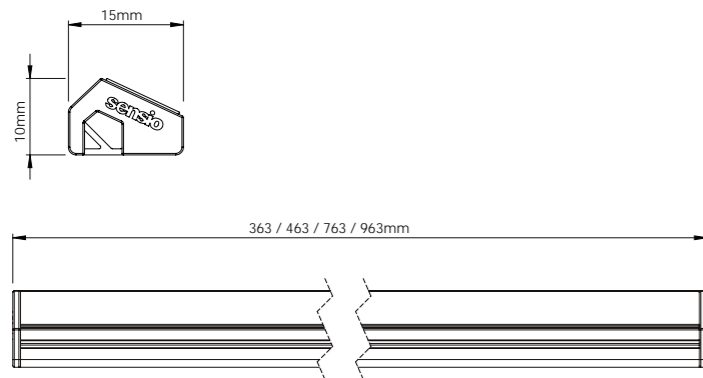
- **Angled Light Source:** Directs light precisely while reducing glare.
- **Strip Compatibility:** Created for the Nano-line range.
- **Peel & Stick Installation:** Supplied with pre-applied VHB tape for fast mounting.
- **Side cable management:** Pre-cut channel in ends caps for power cables.
- **Free cut:** Can be cut to any desired length.
- **Accessories:** Allow light to bend round corners with Internal and External corners (sold separately). Supplied with 2 x end caps.
- **Compatibility:** Adjust brightness when paired with Sensio controls and drivers.
- **Registered Design Rights:** 6077026.



Fitting - Available in fixed lengths to fit common cabinetry sizes.



Convenience - Pair the Ray profile with our Titan+ wireless door sensor for elegant lighting in drawers and wardrobes.



Seamless - Internal and external corner accessories allow continuous lighting.

Ray™ Illuminated Profile - Natural White - 4000K

CODE	COLOUR	LENGTH	LUMENS	WATTAGE	DRIVER	RRP
SE10032NDNO	Natural	363mm	540lm/m	4.8W/m	6W required	£23.99
SE10042NDNO	Natural	463mm	540lm/m	4.8W/m	6W required	£25.14
SE10072NDNO	Natural	763mm	540lm/m	4.8W/m	6W required	£36.76
SE10092NDNO	Natural	963mm	540lm/m	4.8W/m	6W required	£40.25

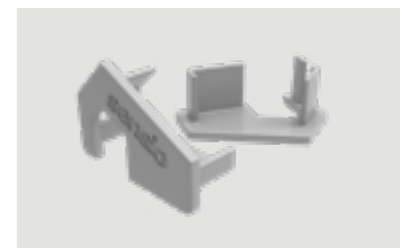
Designed to fit 400mm, 500mm, 800mm and 1000mm width wardrobes, respectively.

Ray™ - Profile Only

CODE	DESCRIPTION	LENGTH	RRP
SE184720	Profile & End Caps (L&R)	1500mm	£15.78
SE184820	Profile & End Caps (L&R)	2500mm	£26.29

Cables, Connectors & Accessories

CODE	DESCRIPTION	RRP
SE990950	Ray End Cap Kit (L&R)	£1.28
SE9922950	Ray Internal Corner	£5.53
SE9912950	Ray External Corner	£5.53



Installation finish - Pre-notched end caps for efficient cable routing and edge to edge lighting

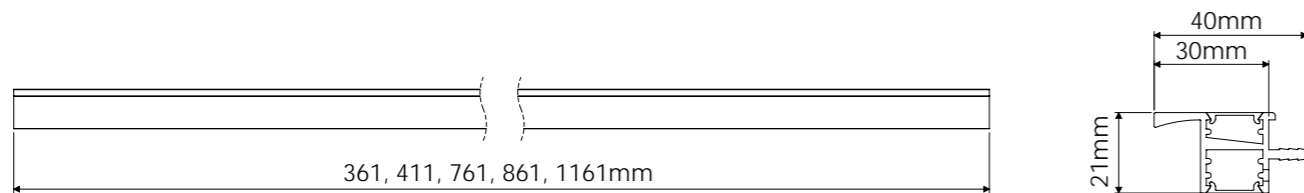


Manta™

Integrated Handleless Profile

The Manta is a integrated lighting profile designed for handleless kitchens. Install the profile at the front edge of internal cupboard base shelf/panel for multi direction lighting, both top and bottom.

- **Top & Bottom Illumination:** Two channels, allowing for multiple directions of light.
- **Strip Compatibility:** Integrated flexible strip.
- **Single Colour:** Natural white light (4500K)
- **Fully Diffused:** Eliminates visible LED dots for a clean, continuous glow.
- **Rear cable management:** Pre-cut channel concealing power cables.
- **Compatibility:** Adjust brightness when paired with Sensio controls and drivers.

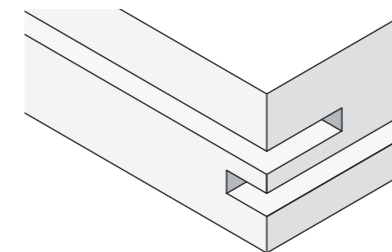


Manta™ Integrated Handleless profile - Cool White (4500K)

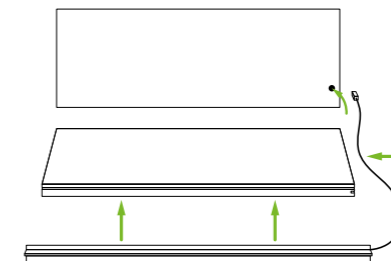
CODE	LENGTH	LUMENS	WATTAGE	QTY	DRIVER	RRP
SE27012CO	361mm	503 lm	6.4 W	1	Required	£35.82
SE27112CO	411mm	503 lm	6.4 W	1	Required	£38.76
SE27412CO	761mm	1070 lm	14.3 W	1	Required	£58.12
SE27512CO	861mm	1225 lm	15.4 W	1	Required	£62.99
SE27712CO	1161mm	1606 lm	21.1 W	1	Required	£81.37



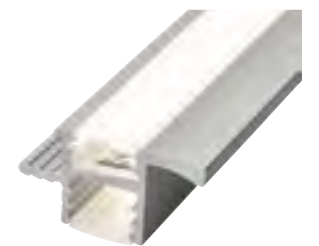
Application



Step 1 - The Manta is designed to mount directly to the front of a base panel with a simple push-fit. Two channels are routed into the base panel. One along the front edge and a second down the side edge.



Step 2 - Slot the Manta profile into the front channel. Tuck the power cable neatly down the side and through the back. Power can be discreetly supplied with our slimline Titan driver concealed behind or on top of the cabinet.



Dual, diffused lighting - illuminates both above, into the cabinet and below, onto the kitchen worktop. Replaces the existing fitting on handleless base panels.

Vertex™

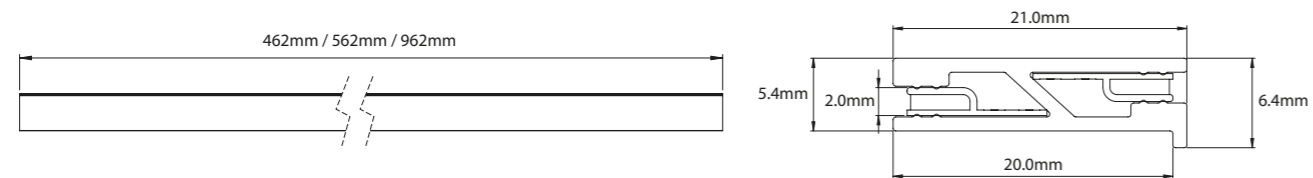
Dual-Lit Shelf Profile

The Vertex LED shelf light is a slim fitting, up and down directional shelf light and profile designed to sit on the back of shelf boards. No need to trim the shelf for installation. The power cable exits backwards, this can span perfectly all the way across the shelf with no exposed wires. This is a fully integrated solution, with pre-installed strips.

- **Single Colour:** Natural white light (4000K).
- **Easy Fit:** No need to trim the shelf for installation.
- **Rear cable placement:** For concealing power cables.
- **Free cut:** Can be cut to any desired length.
- **VHB (Very High Bond):** adhesive tape backing for secure installation.
- **Shelf Compatible:** Designed to work with standard shelf sizes 50cm, 60cm and 1m.
- **Registered design right:** 6443843.



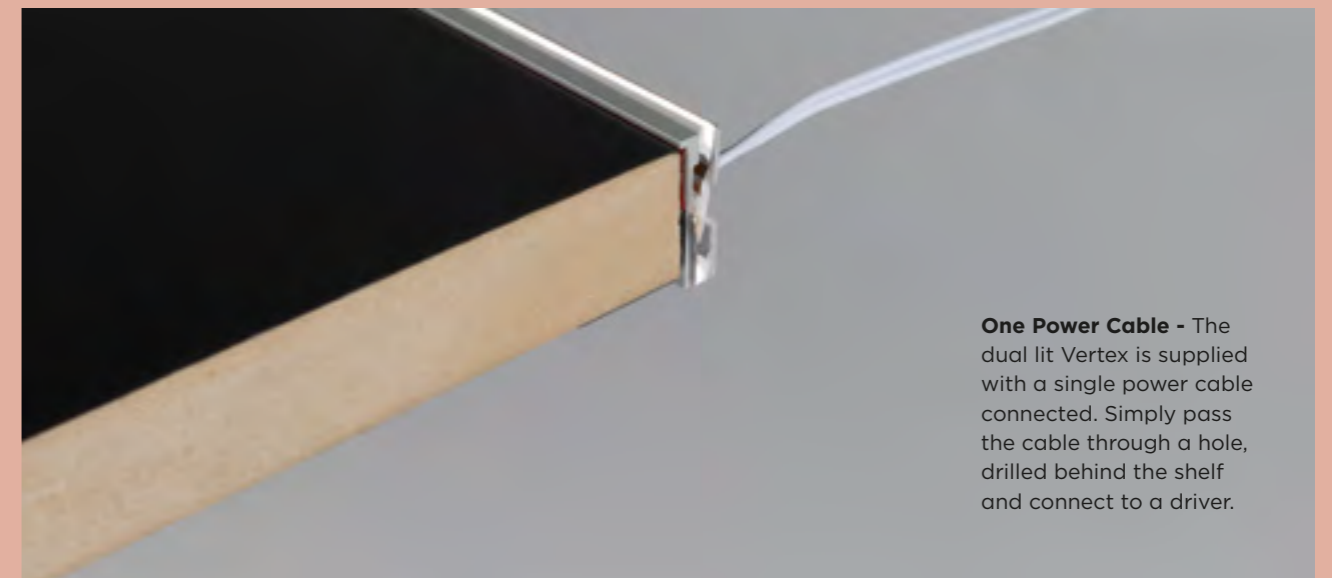
Ultra Slim - The integration of our Razor strip technology provides a superior solution for efficient installation and stunning lighting. Simply peel the pre-applied VHB adhesive and apply the profile to the back of the shelf.



Vertex™ Dual lit Shelf Light - Natural White (4000K)

CODE	LENGTH	LUMENS	WATTAGE	QTY	DRIVER	RRP
SE00164	462 mm	508 lm	5.6 W/m	1	Required	£36.70
SE00165	562 mm	508 lm	6.8 W/m	1	Required	£40.51
SE00166	962 mm	508 lm	11.6 W/m	1	Required	£63.85

The Vertex can be cut to any length. Calculate the power required as 12W/m.



One Power Cable - The dual lit Vertex is supplied with a single power cable connected. Simply pass the cable through a hole, drilled behind the shelf and connect to a driver.



Glow™ & Glow Pro™

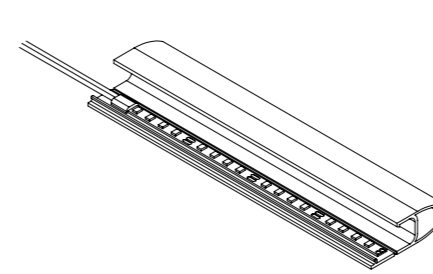
Illuminated Glass Shelf Clip

A easy to fit glass shelf profile, turns any glass shelves or cabinets into a focal feature by softly illuminating the glass. Combine with a glass fronted door for added opulence.

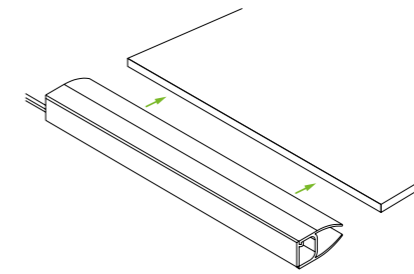
- **Easy Fit:** Simply push fits to the back of 4-8mm glass shelves.
- **Strip Compatibility:** Integrated flexible strip.
- **Glow - Single Colour:** Choose Natural white light (4000K) or Cool White light (5000K).
- **Glow Pro - CCT:** Correlated colour temperature (2700K - 6000K)
- **Cut to size:** Cut marks every 50mm.
- **Compatibility:** Adjust brightness when paired with Sensio controls and drivers.
- **Registered Design Right:** 6077032.



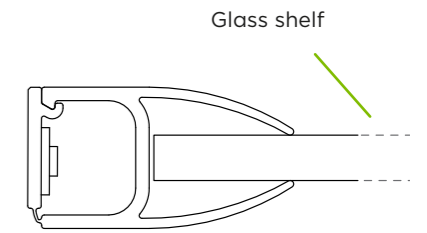
Application



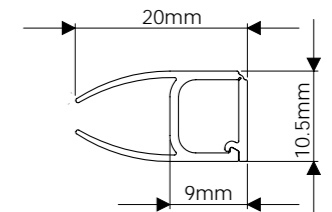
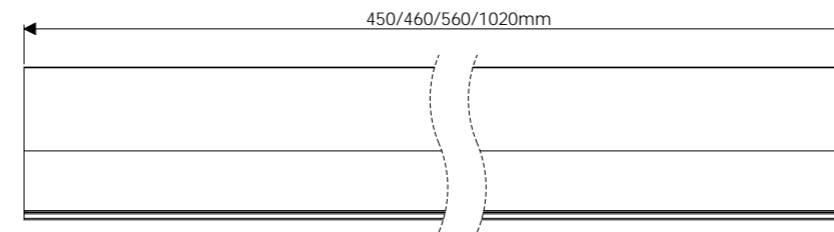
Step 1 - Apply the flexible LED strip to the rear flap on the Glow profile, which then fold it shut and click into place to secure.



Step 2 - The front of the profile features a flexible grip to fit shelving from 4-8mm thick. Simply slot the Glow profile onto the back of the shelf.



Step 3 - Feed the power cable from the strip through a hole drilled through the cabinet, behind the shelf and connect to the driver.



Glow™ Glass Shelf Clip Profile - Profile Only

CODE	DESCRIPTION	LENGTH	RRP
SE190790	Shelf Clip Profile	1000mm	£13.81

Glow™ Glass Shelf Clip Illuminated Profile - Cool White (5000K)

CODE	LENGTH	WATTAGE	DRIVER	RRP
SE19089C0	500mm	2.1 W	Required	£24.07
SE19039C0	600mm	2.64 W	Required	£32.32
SE19079C0	1000mm	4.8 W	Required	£42.44

Glow™ Glass Shelf Clip Illuminated Profile - Natural White (4500K)

CODE	LENGTH	WATTAGE	DRIVER	RRP
SE19089N0	500mm	2.1 W	Required	£24.07
SE19079N0	1000mm	4.8 W	Required	£42.44

Glow Pro™ Glass Shelf Clip Illuminated Profile - CCT (2700K - 6000K)

CODE	LENGTH	WATTAGE	DRIVER	RRP
SE19079P02	500mm	2.7 W	Required	£27.92
SE19079P01	1000mm	6 W	Required	£46.40

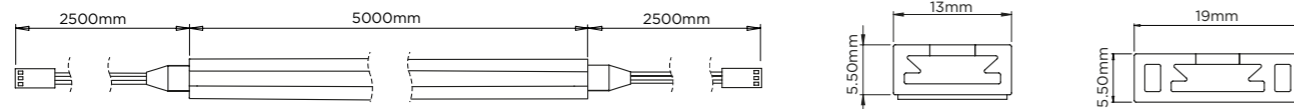
*Length in table represents cabinet size

Flex with Polar X Pro™

Illuminated Silicone Profile for Recessed Installations

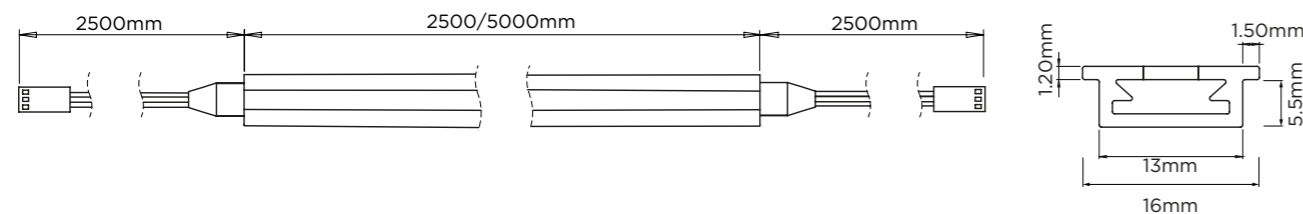
In-built Polar X Pro flexible strip the Flex is designed for use in acoustic panels, recessed and surface mounting installations. Unlike rigid profiles, the Flex is supplied on a coiled reel saving on transportation cost and space.

- **CCT:** Correlated Colour Temperature.
- **Free cut:** Can be cut to any desired length.
- **Chip on Board (COB):** Technology provides seamless light output and efficiency.
- **Recessed or Surface Mounted Installation:** (13 or 19mm) with a simple push-fit application.
- **Winged version available:** (16mm) For a clean finish to cover routing imperfections.
- **VHB (Very High Bond):** adhesive tape backing for secure installation.
- **Compatibility:** Adjust brightness when paired with Sensio controls and drivers.
- **Connection:** Pre-soldered 2.5m driver connection cables at each end.
- **Accessories:** Additional driver connection cable (sold separately) to utilise all cut lengths.



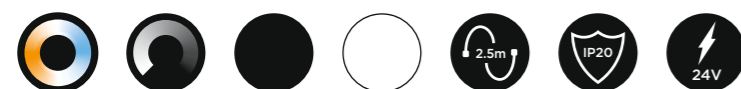
Flex with Polar X Pro™ - Surface Mount or Recess | CCT 2700-6500K | 512 LED/m

CODE	FINISH	LENGTH	LUMENS	WATTAGE	RRP
SE070003NDPO	Black	13mm x 5000mm	580lm/m	6W/m	£140.84
SE070004NDPO	White	13mm x 5000mm	580lm/m	6W/m	£141.32
SE070007NDPO	Black	19mm x 5000mm	580lm/m	6W/m	£142.07



Flex with Polar X Pro™ - Recessed | CCT 2700-6500K | 512 LED/m

CODE	FINISH	LENGTH	LUMENS	WATTAGE	RRP
SE070005NDPO	Black	16mm x 5000mm	580lm/m	6W/m	£141.32
SE070006NDPO	White	16mm x 5000mm	580lm/m	6W/m	£141.32



Easy install - The Flex installs beautifully in trending acoustic panels with simple push-fit installation.



Free cut - Polar X Pro inside the Flex, brings the ability to cut the profile to any length.

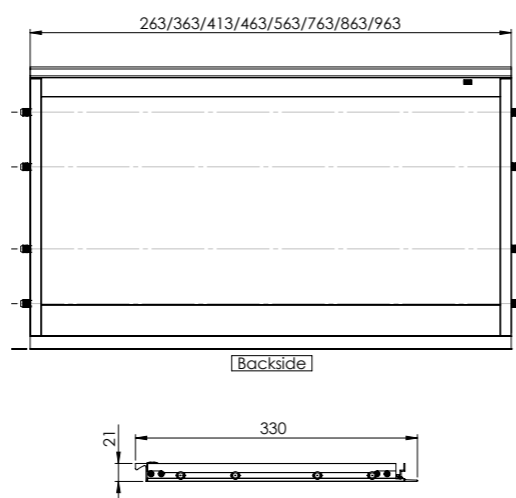


Verona™

CCT LED Illuminated Base Panel

A integrated illuminated glass base panel that replaces kitchen wall base units with an illuminated base panel, casting light both down to the worktops and up inside the wall unit.

- **Top & Bottom Illumination:** Two panels of light, allowing for multiple direction of light.
- **Fully Diffused:** Eliminates visible LED dots for a clean, continuous glow across the whole panel.
- **Strip Compatibility:** Integrated flexible strip encased between two glass panels.
- **CCT:** Correlated Colour Temperature.
- **IR Sensor:** Controlled with a simple hand swipe to activate the lights.



Verona™ - CCT LED Illuminated Base Panel (2700K - 6000K)

CODE	WATTAGE	SIZE	RRP
SE13792N0	1.9 W	263 x 329 x 21mm	£128.86
SE13092N0	2.9 W	363 x 329 x 21mm	£140.64
SE13292N0	3.3 W	463 x 329 x 21mm	£148.90
SE13392N0	4.2 W	563 x 329 x 21mm	£160.06
SE13492N0	5.6 W	763 x 329 x 21mm	£181.34
SE13592N0	6.2 W	863 x 329 x 21mm	£223.91
SE13692N0	7.1 W	963 x 329 x 21mm	£245.18

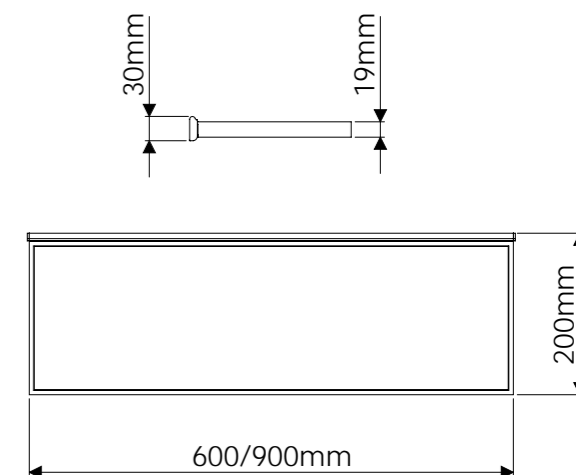


Torino™

LED Wall Mounted Shelf

A contemporary illuminated wall shelf, crafted from tempered glass, which subtly illuminates the shelf contents and aluminium frame in black and silver finish.

- **Fully Diffused:** LEDs embedded within the frame creates a stunning glow as the light travels through the tempered glass.
- **Strip Compatibility:** Integrated flexible strip.
- **Single Colour:** Natural white light (4500K).
- **Heavy Duty:** Lead bearing capacity 10kg.
- **Easy Fit:** Install wall brackets and shelf clicks into place.



Torino™ LED Wall Mounted Shelf - Cool White (4500K)

CODE	FINISH	LENGTH	LUMENS	WATTAGE	QTY	DRIVER	RRP
SE17238CO	Black	600 mm	325 lm	5.4 W	1	Required	£124.01
SE17268CO	Black	900 mm	482 lm	8.4 W	1	Required	£149.60



UNDER CABINET LIGHTING

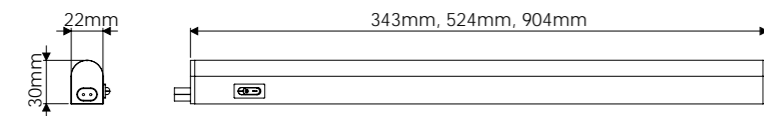


Axis™

240V LED Strip Light

Traditional under cabinet lighting, which spreads linear lights across worktops and surfaces.

- **Single Colour:** Natural white light (4000K).
- **Fully Diffused:** Eliminates dark spots on the worktop.
- **Onboard Rocker Switch:** For individual operation.
- **Mains Powered:** Direct 230V input for easy installation.
- **Bare-Ended Mains Cable:** 1.5m cable supplied for direct wiring.
- **Integrated Connector:** Enables interlinking sections for long runs.
- **Joining Cables:** Optional cables for corners or intermittent runs. (sold separately).



Axis™ 240V LED Strip Light - Natural White (4000K)

CODE	LENGTH	LUMENS	WATTAGE	VOLTAGE	QTY	RRP
SE10029N0	343 mm	500 lm	5 W	240V	1	£12.77
SE10079N0	524 mm	800 lm	8 W	240V	1	£14.58
SE10099N0	904 mm	1600 lm	16 W	240V	1	£18.53

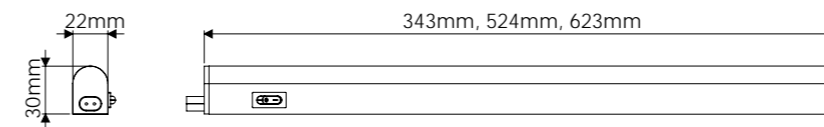


Connex TrioTone®

240V LED Strip Light

Traditional under cabinet lighting, which spreads linear lights across worktops and surfaces now with TrioTone technology.

- **TrioTone®:** Allows you to select cool, natural or warm white with a flick of the switch on the fitting.
- **Fully Diffused:** Eliminates dark spots on the worktop.
- **Onboard Rocker Switch:** For individual operation.
- **Mains Powered:** Direct 230V input for easy installation.
- **Bare-Ended Mains Cable:** 1.5m cable supplied for direct wiring.
- **Integrated Connector:** Enables interlinking sections for long runs.
- **Joining Cables:** Optional cables for corners or intermittent runs. (sold separately).

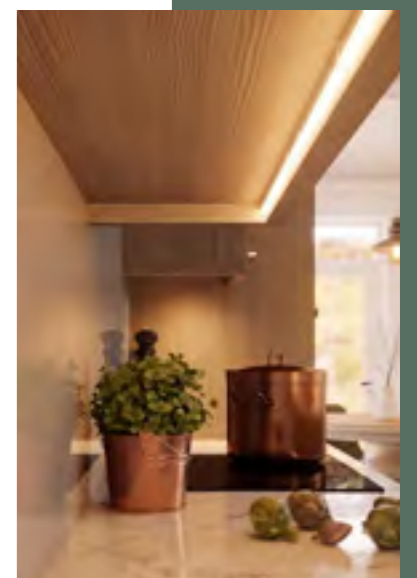
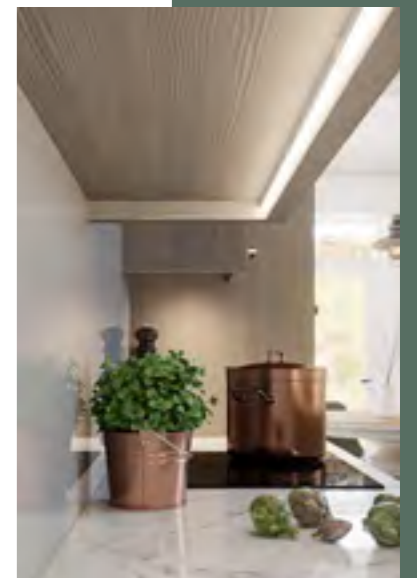
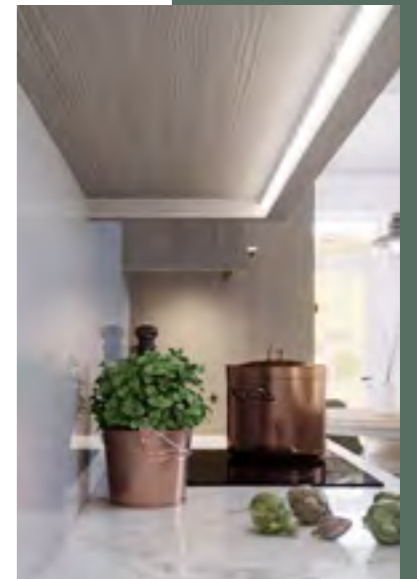


Connex TrioTone® 240V LED Strip Light - 3000K, 4000K, 5000K

CODE	LENGTH	LUMENS	WATTAGE	VOLTAGE	QTY	RRP
SE100490	343 mm	95 lm/m	5 W	240V	1	£27.24
SE100590	524 mm	95 lm/m	9 W	240V	1	£31.96
SE100690	623 mm	95 lm/m	12 W	240V	1	£33.65

Cables, Connectors & Accessories

CODE	DESCRIPTION	RRP
SE101290	500mm Axis/Connex Joining Lead	£2.82



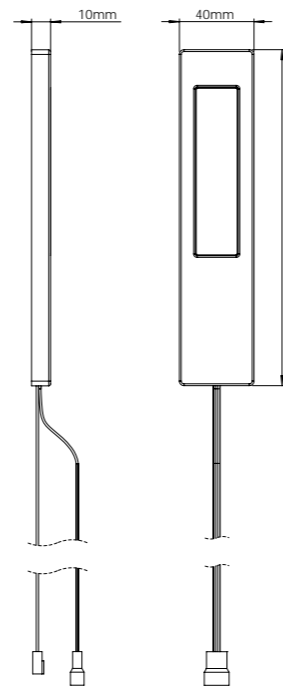


Solo™

LED Under Cabinet Light

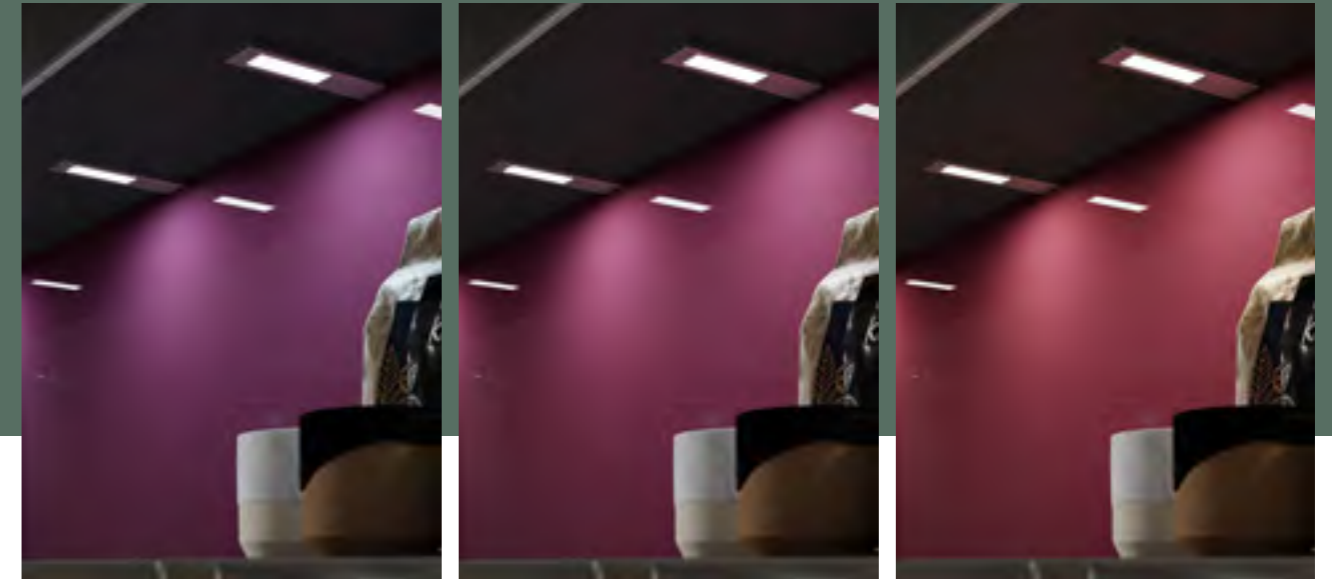
An elongated design offers a vast spread of light across worktops and surfaces available singular or in packs of 3.

- **Single Colour:** Natural white light (4000K).
- **Fully Diffused:** Eliminates dark spots on the worktop.
- **Removable Front Bezel:** Hides fixings and simplifies installation.
- **Surface Mounted:** Ideal for under/in cabinet applications.
- **Compatibility:** Adjust brightness when paired with Sensio controls and drivers.



Solo™ LED Under Cabinet Light - Natural White (4000K)

CODE	FINISH	LUMENS	WATTAGE	QTY	DRIVER	RRP
SE11192NO	Stainless Steel	180 lm	2.5 W	1	Required	£16.26
SE11192N3	Stainless Steel	180 lm	7.5 W	3	15W Included	£75.35

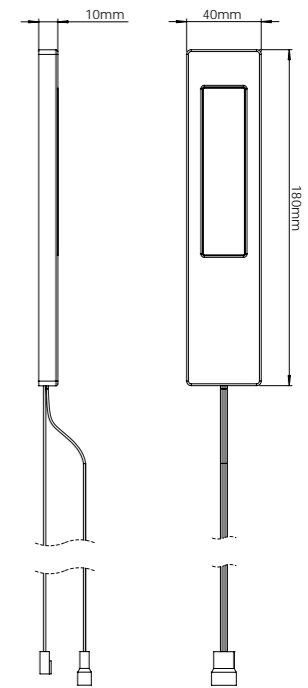


Ark TrioTone®

LED Under Cabinet Light

An elongated design offers a vast spread of light across worktops and surfaces now with TrioTone technology.

- **TrioTone®:** Allows you to select cool, natural or warm white with a flick of the switch on the fitting.
- **Fully Diffused:** Eliminates dark spots on the worktop.
- **Removable Front Bezel:** Hides fixings and simplifies installation.
- **Surface Mounted:** Ideal for under/in cabinet applications.
- **Compatibility:** Adjust brightness when paired with Sensio controls and drivers.



Ark TrioTone® LED Under Cabinet Light - (3000K, 4000K, 5000K)

CODE	FINISH	LUMENS	WATTAGE	QTY	DRIVER	RRP
SE11192T0	Stainless Steel	160-180 lm	2.5 W	1	Required	£28.74
SE11192T3	Stainless Steel	160-180 lm	7.5 W	3	15W Included	£94.64

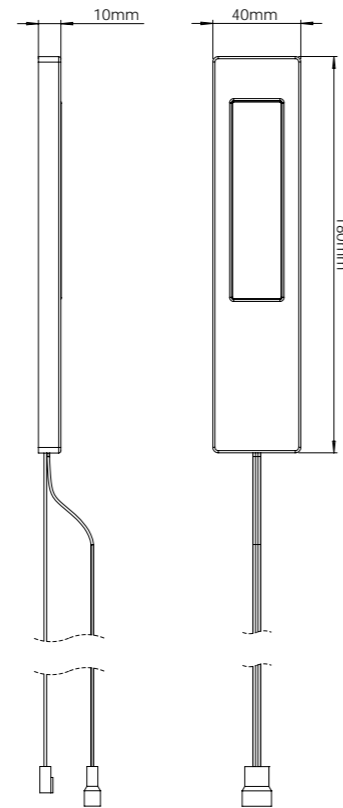


Ark Pro™

CCT LED Under Cabinet Light

An elongated design offers a vast spread of light across worktops and surfaces now with CCT technology.

- **CCT:** Correlated Colour Temperature (CCT) allows the perfect light temperature selection and transition from warm to cool white temperatures.
- **Fully Diffused:** Eliminates dark spots on the worktop.
- **Removable Front Bezel:** Hides fixings and simplifies installation.
- **Surface Mounted:** Ideal for under/ in cabinet applications.
- **Compatibility:** Adjust brightness when paired with Sensio controls and drivers.



Modern Design - Magnetic bezel slots over the light, concealing fixings and providing a seamless finish.

Ark Pro™ - CCT LED Light (2700-6000K)

CODE	LUMENS	WATTAGE	QTY	DRIVER	RRP
SE11192PO	160-180 lm	2.5 W	1	Required	£30.26



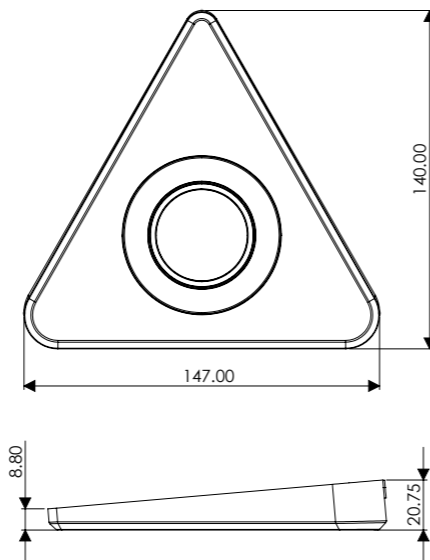


Treos™

LED Slim Triangular Spot Light

Make your light a statement feature with the Treos, in its triangular shape, available singular or in packs of 3.

- **Single Colour:** Natural white light (4000K).
- **Fully Diffused:** Eliminates dark spots on the worktop.
- **Surface Mounted:** Ideal for under/in cabinet applications.
- **Compatibility:** Adjust brightness when paired with Sensio controls and drivers.



Treos™ LED Under Cabinet Light - Natural White (4000K)

CODE	LUMENS	WATTAGE	QTY	DRIVER	RRP
SE11290N0	180 lm	2 W	1	Required	£16.52
SE11290N3	180 lm	6 W	3	6W Included	£71.20

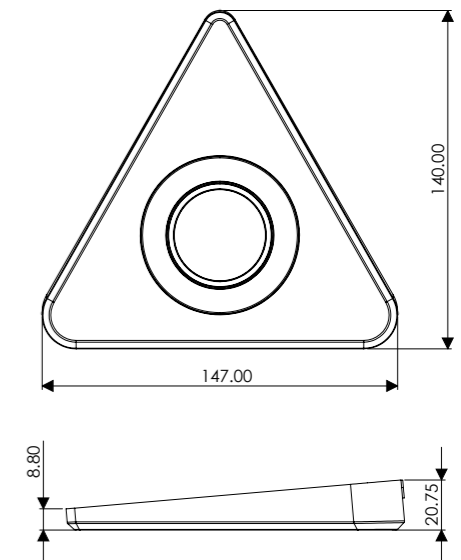


Nexus™

LED Triangle Under Cabinet Light

Make your light a statement feature with the Nexus, in its triangular shape, available singular or in packs of 3.

- **Single Colour:** Cool white light (5000K) or warm white (3000K).
- **Fully Diffused:** Eliminates dark spots on the worktop.
- **Surface Mounted:** Ideal for under/in cabinet applications.
- **Compatibility:** Adjust brightness when paired with Sensio controls and drivers.



Nexus™ LED Light - Cool White (5000K)

CODE	LUMENS	WATTAGE	QTY	DRIVER	RRP
SE11090C0	180 lm	2 W	1	Required	£20.52
SE11090C3	180 lm	6 W	3	6W Included	£84.10

Nexus™ LED Light - Warm White (3000K)

CODE	LUMENS	WATTAGE	QTY	DRIVER	RRP
SE11090W0	160 lm	2 W	1	Required	£20.52
SE11090W3	160 lm	6 W	3	6W Included	£84.10

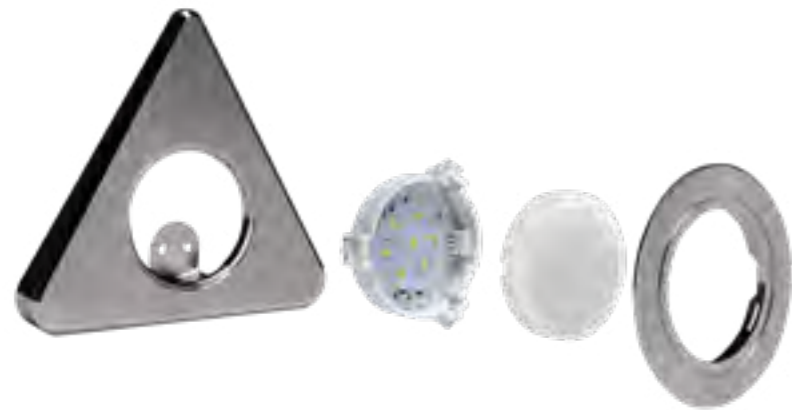
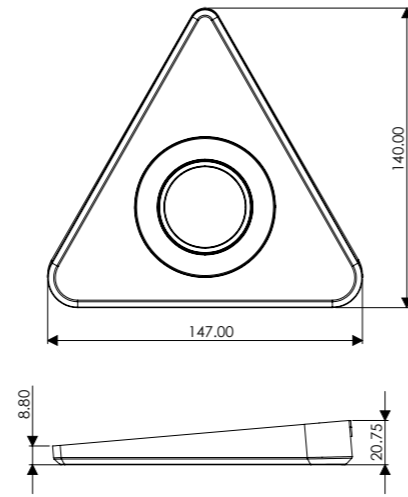


Nexus TrioTone®

LED Triangle Under Cabinet Light

Make your light a statement feature with the nexus, in its triangular shape and TrioTone technology.

- **TrioTone®:** Allows you to select cool, natural or warm white with a flick of the switch on the fitting.
- **Fully Diffused:** Eliminates dark spots on the worktop.
- **Surface Mounted:** Ideal for under/in cabinet applications.
- **Compatibility:** Adjust brightness when paired with Sensio controls and drivers.



Wide Beam - The angled housing positions the luminaire to cast light across the worktop, while the integrated diffuser ensure a soft and even glow.

Nexus TrioTone® LED Light - (3000K, 4000K, 5000K)

CODE	FINISH	LUMENS	WATTAGE	QTY	DRIVER	RRP
SE11090T0	Stainless Steel	170-190 lm	2 W	1	Required	£22.60
SE11090T3	Stainless Steel	170-190 lm	6 W	3	6W Included	£87.14



Cool White - 5000K



Natural White - 4000K



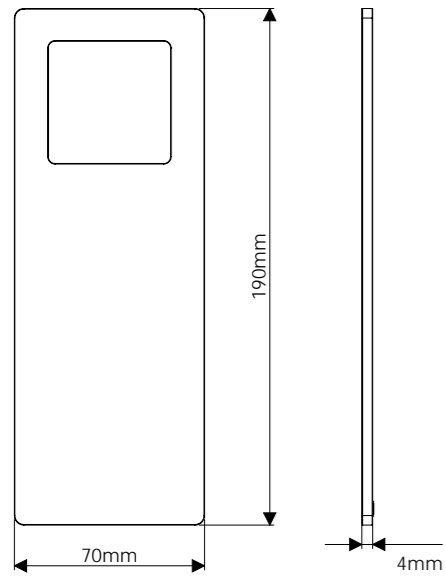
Warm White - 3000K

Velos™

LED Under Cabinet Light

Under or in cabinet light, perfect for central light spread across worktops and surfaces, available singular or in packs of 3.

- **Single Colour:** Natural white light (4000K).
- **Fully Diffused:** Eliminates dark spots on the worktop.
- **Magnetic Mounting Plate:** For ease of installation and to conceals fixings for a clean finish.
- **Slim 6mm Depth:** Perfect for low-profile applications.
- **Surface Mounted:** Ideal for under/in cabinet applications.
- **Daisy Chain Compatible:** Save time wiring by linking together for continuous runs.
- **Compatibility:** Adjust brightness when paired with Sensio controls and drivers.



Velos™ LED Under Cabinet Light - Natural White (4000K)

CODE	LUMENS	WATTAGE	QTY	DRIVER	RRP
SE11092N0	250 lm	4.8 W	1	Required	£22.64
SE11092N3	250 lm	14.4 W	1	15W Included	£90.04



Astro TrioTone®

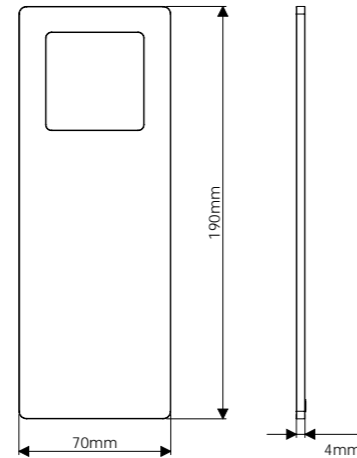
LED Under Cabinet Light

Perfect for central light spread across worktops and surfaces with various finishes to match your metal work, now with TrioTone technology.

- **TrioTone®:** Allows you to select cool, natural or warm white with a flick of the switch on the fitting.
- **Fully Diffused:** Eliminates dark spots on the worktop.
- **Magnetic Mounting Plate:** For ease of installation and to conceal fixings for a clean finish.
- **Slim 6mm Depth:** Perfect for low-profile applications.
- **Surface Mounted:** Ideal for under/ in cabinet applications.
- **Daisy Chain Compatible:** Save time wiring by linking together for continuous runs.
- **Compatibility:** Adjust brightness when paired with Sensio controls and drivers.



Ultra slim - The magnetic mounting provides a very low profile, ideal for contemporary flat bottomed cabinetry

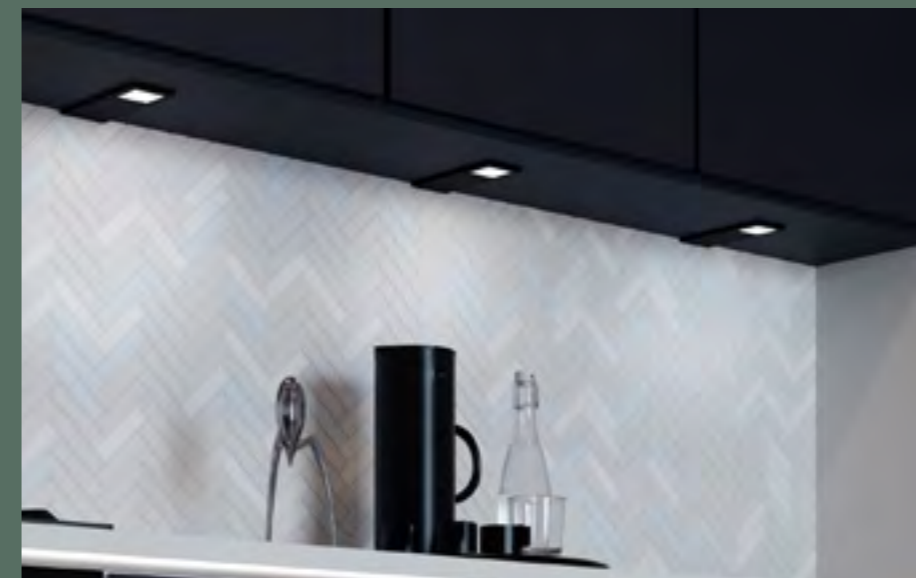


Astro TrioTone® Led Under Cabinet Light - (3000K, 4000K, 5000K)

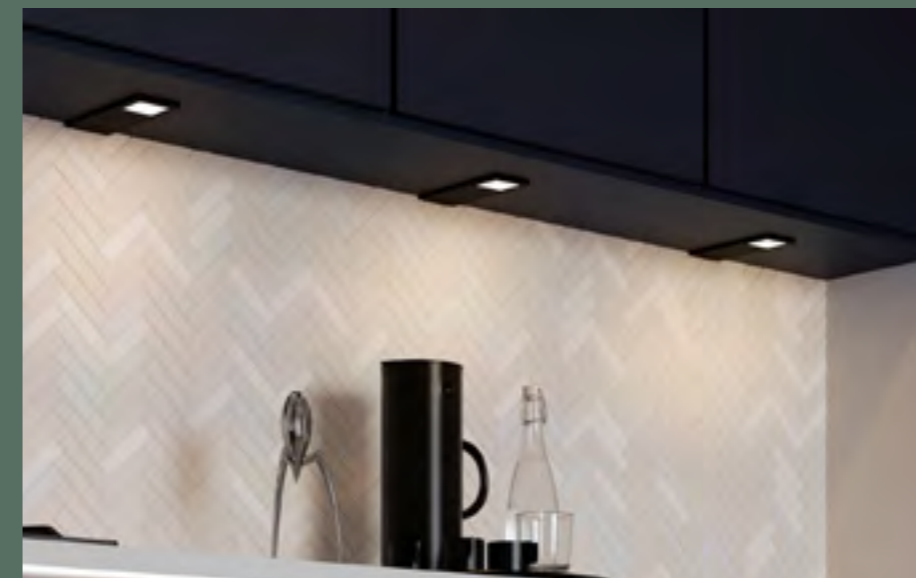
CODE	FINISH	LUMENS	WATTAGE	QTY	DRIVER	RRP
SE11190T0.1	Aluminium	280-300 lm	4 W	1	Required	£33.60
SE11190T3.1	Aluminium	280-300 lm	12 W	3	15W Inc.	£122.16
SE11198T0.1	Black	280-300 lm	4 W	1	Required	£35.93
SE11198T3.1	Black	280-300 lm	12 W	3	15W Inc.	£126.90
SE11196T0.1	Brass	280-300 lm	4 W	1	Required	£36.24
SE11196T3.1	Brass	280-300 lm	12 W	3	15W Inc.	£129.19
SE11197T0.1	Copper	280-300 lm	4 W	1	Required	£36.24
SE11197T3.1	Copper	280-300 lm	12 W	3	15W Inc.	£129.19



Cool White - 5000K



Natural White - 4000K



Warm White - 3000K



Choice - Select from 4 colourways to match the kitchen interior.

Astro Pro™

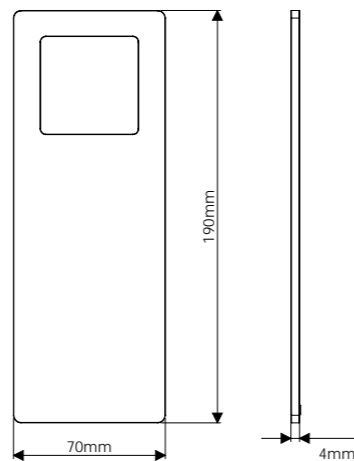
CCT LED Under Cabinet Light

Perfect for central light spread across worktops and surfaces with various finishes to match your metal work, now with CCT technology.

- **CCT:** Correlated Colour Temperature (CCT) allows the perfect light temperature selection and transition from warm to cool white temperatures.
- **Fully Diffused:** Eliminates dark spots on the worktop.
- **Magnetic Mounting Plate:** For ease of installation and to conceal fixings for a clean finish.
- **Slim 6mm Depth:** Perfect for low-profile applications.
- **Surface Mounted:** Ideal for under/ in cabinet applications.
- **Daisy Chain Compatible:** Save time wiring by linking together for continuous runs.
- **Compatibility:** Adjust brightness when paired with Sensio controls and drivers.



Ultra slim - The magnetic mounting provides a very low profile, ideal for contemporary flat bottomed cabinetry



Astro Pro™ - CCT Under Cabinet Light (2700K - 6000K)

CODE	FINISH	LUMENS	WATTAGE	QTY	DRIVER	RRP
SE11190PO.1	Brushed Aluminium	240-270 lm	4 W	1	Required	£36.92
SE11190PS3.1	Brushed Aluminium	240-270 lm	12 W	3	*Smart Kit	£157.84
SE11198PO.1	Black	240-270 lm	4 W	1	Required	£39.89
SE11198PS3.1	Black	240-270 lm	12 W	3	*Smart Kit	£163.81

*Smart Kit - includes: 3x Astro Pro and 1x 15W CCT Titan Smart Kinetic Driver



Apex TrioTone®

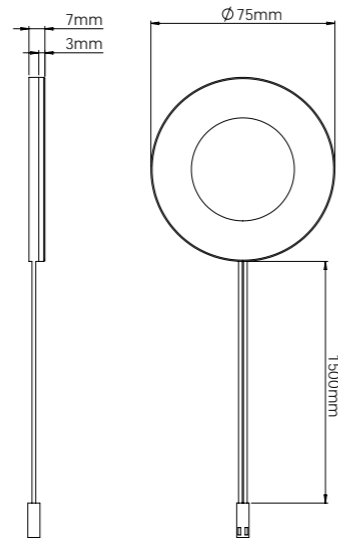
Slimline LED Under Cabinet SpotLight

A super slim under-cabinet light with recessing capabilities by its removable collar and TrioTone technology, available in multiple finishes.

- **TrioTone®:** Allows you to select cool, natural or warm white with a flick of the switch on the fitting.
- **Fully Diffused:** Eliminates dark spots on the worktop.
- **Slim 7mm Depth:** Perfect for low-profile applications.
- **Recessed or Surface Fit:** Optional collar allows both mounting methods.
- **Removable Front Bezel:** Hides fixings and simplifies installation.
- **Daisy Chain Compatible:** Save time wiring by linking together for continuous runs.
- **Compatibility:** Adjust brightness when paired with Sensio controls and drivers.



TrioTone® - 3 light temperatures in each fitting. Lift the magnetic bezel to access the switch.



Apex TrioTone® Led Under Cabinet Light - (3000K, 4000K, 5000K)

CODE	FINISH	LUMENS	WATTAGE	QTY	DRIVER	RRP
SE12090T0	Stainless Steel	100 lm	1.5 W	1	Required	£16.99
SE12090T3	Stainless Steel	100 lm	4.5 W	3	6W Included	£62.38

Cables, Connectors & Accessories

CODE	DESCRIPTION	RRP
SE910980	Black Bezel & Collar	£4.00



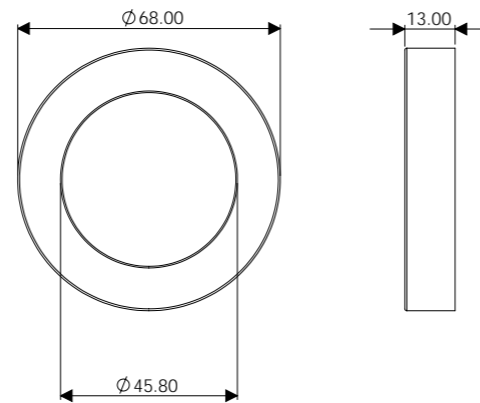


Zeta™

LED Surface/Recessed Spot Light

A simple and discrete circular under or in-cabinet light, available singular or in packs of 3.

- **Single Colour:** Natural white light (4000K).
- **Fully Diffused:** Eliminates dark spots on the worktop.
- **Removable Front Bezel:** Hides fixings and simplifies installation.
- **Recessed or Surface Fit:** Optional collar allows both mounting methods.
- **Compatibility:** Adjust brightness when paired with Sensio controls and drivers.



Routing diameter: Ø60mm for recessed installation

Zeta™ LED Under Cabinet Light - Natural White (4000K)

CODE	LUMENS	WATTAGE	QTY	DRIVER	RRP
SE11190N0	180 lm	2 W	1	Required	£12.58
SE11190N3	180 lm	6 W	3	6W Included	£59.86

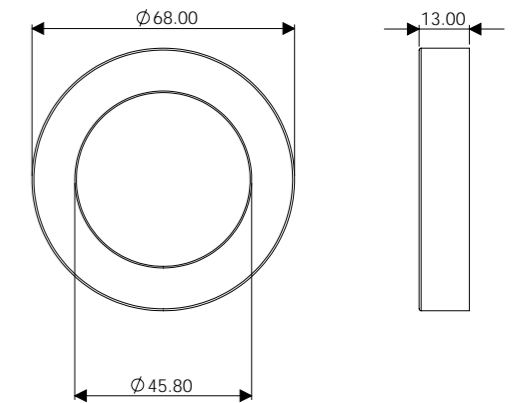


Hype TrioTone®

LED Spotlight

A simple and discrete circular under or in-cabinet light, available singular or in packs of 3.

- **TrioTone®:** Allows you to select cool, natural or warm white with a flick of the switch on the fitting.
- **Fully Diffused:** Eliminates dark spots on the worktop.
- **Removable Front Bezel:** Hides fixings and simplifies installation.
- **Recessed or Surface Fit:** Optional collar allows both mounting methods.
- **Compatibility:** Adjust brightness when paired with Sensio controls and drivers.



Routing diameter: Ø60mm for recessed installation

Hype TrioTone® LED Light - (3000K, 4000K, 5000K)

CODE	FINISH	LUMENS	WATTAGE	QTY	DRIVER	RRP
SE21100	Stainless Steel	170-190 lm	2 W	1	Required	£22.93
SE21100K3	Stainless Steel	170-190 lm	6 W	3	6W Included	£87.90

Cables, Connectors & Accessories

CODE	DESCRIPTION	RRP
SE970980	Black Bezel & Collar	£6.43

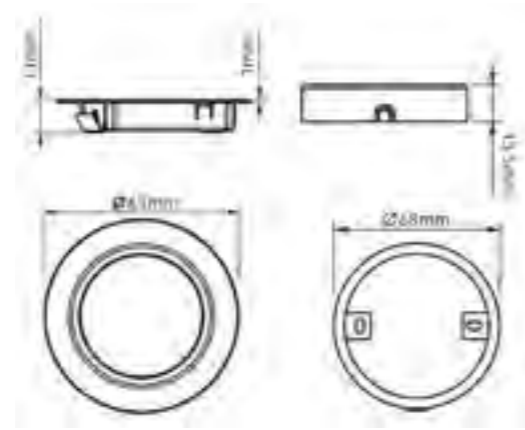


Hype R Pro™

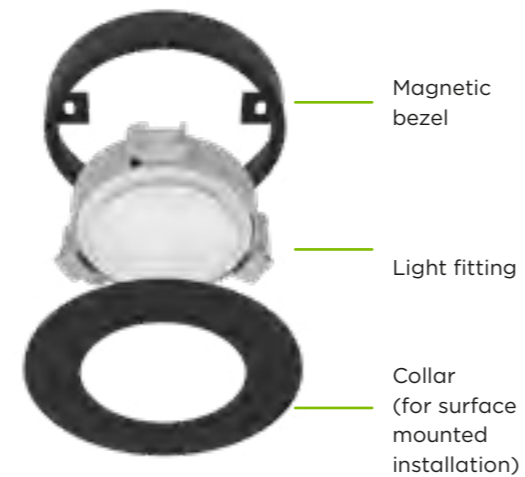
CCT LED Surface / Recessed Spot Light

A simple and discrete circular under cabinet light with CCT technology, available in multiple finishes.

- **CCT:** Correlated Colour Temperature allows the perfect light temperature selection and transition from warm to cool white temperatures.
- **Fully Diffused:** Eliminates dark spots on the worktop.
- **Removable Front Bezel:** Hides fixings and simplifies installation.
- **Recessed or Surface Fit:** Optional collar allows both mounting methods.
- **Compatibility:** Adjust brightness when paired with Sensio controls and drivers.
- **Black magnetic bezel accessory:** also available (sold separately).



Routing diameter: Ø60mm for recessed installation



Hype R Pro™ - CCT LED Spot Light (2700K - 6500K)

CODE	FINISH	LUMENS	WATTAGE	QTY	DRIVER	RRP
SE90150PO	Stainless Steel	231-243 lm	2 W	1	Required	£27.44

Cables, Connectors & Accessories

CODE	DESCRIPTION	RRP
SE970980	Black Bezel & Collar	£6.43



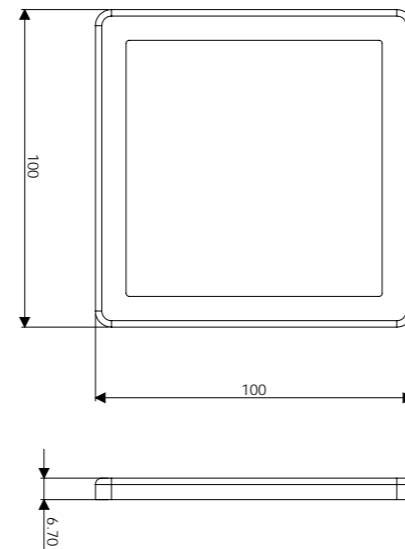


Plaza™

LED Under Cabinet Light

A simple and discrete square under or in-cabinet light, available singular or in packs of 3.

- **Single Colour:** Natural white light (4000K)
Fully Diffused: Eliminates dark spots on the worktop.
- **Removable Front Bezel:** Hides fixings and simplifies installation.
- **Surface Mounted:** Ideal for under/ in cabinet applications.
- **Compatibility:** Adjust brightness when paired with Sensio controls and drivers.



Plaza™ LED Under Cabinet Light - Natural White (4000K)

CODE	LUMENS	WATTAGE	QTY	DRIVER	RRP
SE11090N0	250 lm	3.6 W	1	Required	£14.35
SE11090N3	250 lm	10.8 W	3	15W Included	£69.88

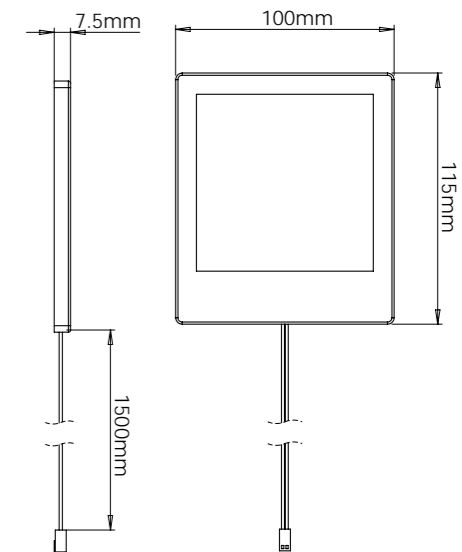


Horizon TrioTone®

Square LED Under Cabinet Light

A simple and discrete square under cabinet light with TrioTone technology, available in multiple finishes.

- **TrioTone®:** Allows you to select cool, natural or warm white with a flick of the switch on the fitting.
- **Fully Diffused:** Eliminates dark spots on the worktop.
- **Removable Front Bezel:** Hides fixings and simplifies installation.
- **Surface Mounted:** Ideal for under/in cabinet applications.
- **Compatibility:** Adjust brightness when paired with Sensio controls and drivers.
- **Black magnetic bezel accessory:** also available (sold separately).



Horizon TrioTone® LED Spot Light - 3000K, 4000K, 5000K

CODE	FINISH	LUMENS	WATTAGE	QTY	DRIVER	RRP
SE11095T0	Stainless Steel	250 lm	3.6 W	1	Required	£21.48
SE11095T3	Stainless Steel	250 lm	10.8 W	3	15W Inc.	£89.68



Cables, Connectors & Accessories

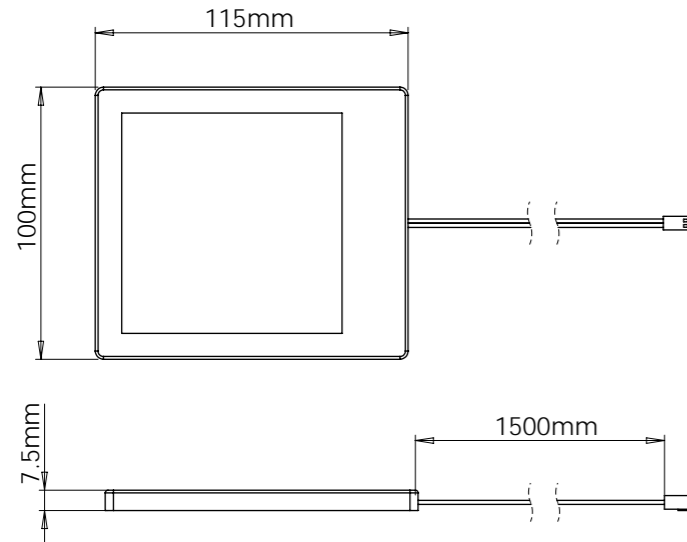
CODE	DESCRIPTION	RRP
SE911980	Black Bezel	£5.02

Horizon Pro™

CCT Square LED Under Cabinet Light

A simple, square under cabinet light with CCT technology, available in stainless steel or black, when combined with the black bezel accessory.

- **CCT:** Correlated Colour Temperature (CCT) allows the perfect light temperature selection and transition from warm to cool white temperatures.
- **Fully Diffused:** Eliminates dark spots on the worktop.
Removable Front Bezel: Hides fixings and simplifies installation.
- **Surface Mounted:** Ideal for under/in cabinet applications.
- **Compatibility:** Adjust brightness when paired with Sensio controls and drivers.
- **Black magnetic bezel accessory:** also available (sold separately).



Horizon Pro™ - CCT LED Under Cabinet Light (2700K - 6000K)

CODE	FINISH	LUMENS	WATTAGE	QTY	DRIVER	RRP
SE11095PO	Stainless Steel	319 lm	3.6 W	1	Required	£22.78
SE11095PSK3*	Stainless Steel	319 lm	10.8 W	3	Included	£133.36

*Smart Kit: 15W CCT Titan Smart Kinetic Driver included

Cables, Connectors & Accessories

CODE	DESCRIPTION	RRP
SE911980	Black Bezel	£5.02

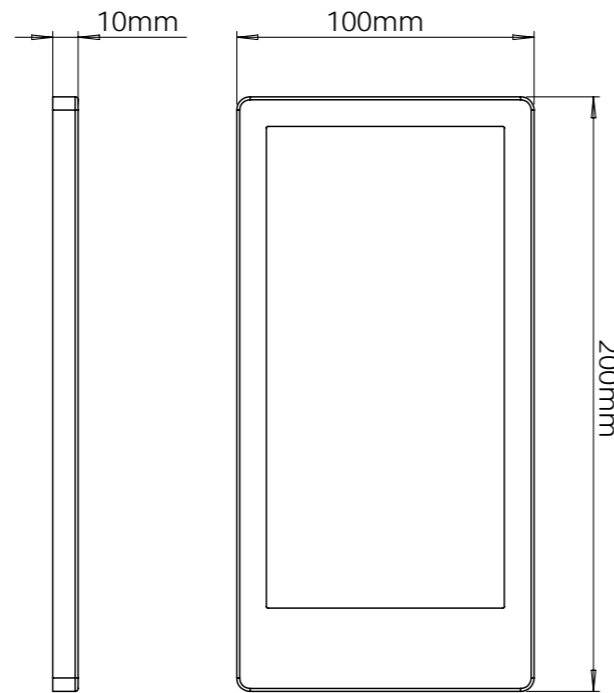


Neo TrioTone[®]

LED Under Cabinet Light

Our widest spread of light in one fixing to create an elongated spread of light across any worktop and surfaces now with TrioTone technology, available in multiple finishes.

- **TrioTone[®]:** Allows you to select cool, natural or warm white with a flick of the switch on the fitting.
- **Fully Diffused:** Eliminates dark spots on the worktop.
- **Slim 10mm Depth:** Perfect for low-profile applications.
- **Removable Front Bezel:** Hides fixings and simplifies installation.
- **Surface Mounted:** Ideal for under/ in cabinet applications.
- **Compatibility:** Adjust brightness when paired with Sensio controls and drivers.
- **Black magnetic bezel accessory:** also available (sold separately).



Neo TrioTone[®] LED Light - Stainless Steel - (3000K, 4000K, 5000K)

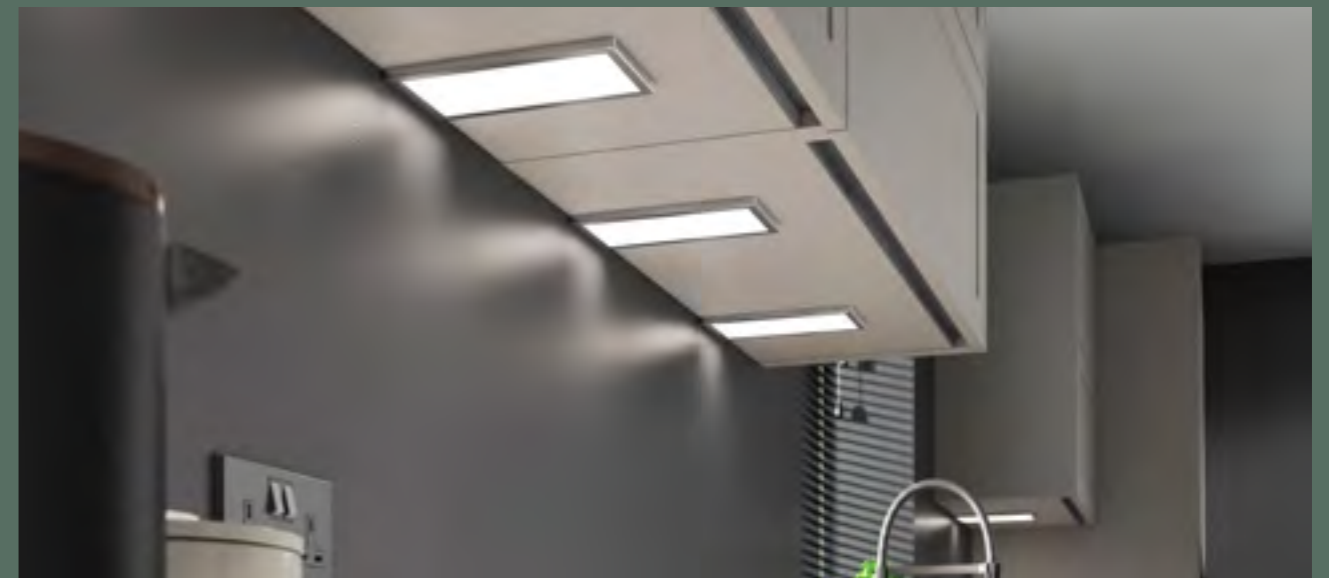
CODE	FINISH	LUMENS	WATTAGE	QTY	DRIVER	RRP
SE11590T0	Stainless Steel	240-280 lm	4.8 W	1	Required	£36.67
SE11590T3	Stainless Steel	240-280 lm	14.4 W	3	Included	£131.46

Cables, Connectors & Accessories

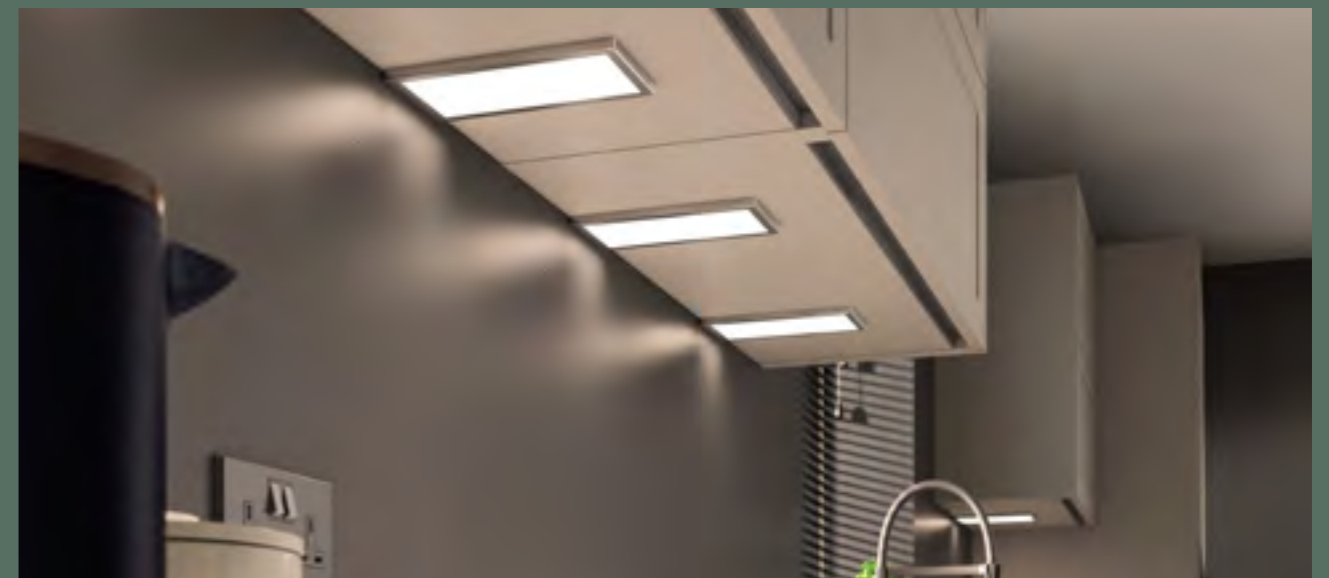
CODE	DESCRIPTION	RRP
SE91598N0	Black Bezel	£7.86



Cool White - 5000K



Natural White - 4000K



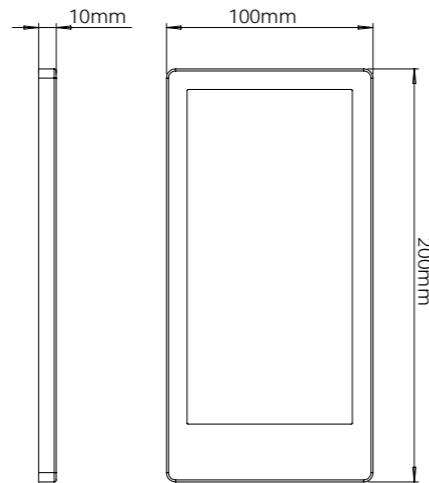
Warm White - 3000K

Neo Pro™

CCT LED Under Cabinet Light

Our widest spread of light in one fixing to create an elongated spread of light across any worktop and surfaces now with CCT technology, available in multiple finishes.

- **CCT:** Correlated Colour Temperature (CCT) allows the perfect light temperature selection and transition from warm to cool white temperatures.
- **Fully Diffused:** Eliminates dark spots on the worktop.
- **Slim 10mm Depth:** Perfect for low-profile applications.
- **Removable Front Bezel:** Hides fixings and simplifies installation.
- **Surface Mounted:** Ideal for under/ in cabinet applications.
- **Compatibility:** Adjust brightness when paired with Sensio controls and drivers.
- **Black magnetic bezel accessory:** also available (sold separately).



Neo Pro™ - CCT LED Light (2700K-6000K)

CODE	FINISH	LUMENS	WATTAGE	QTY	DRIVER	RRP
SE11590P0	Stainless Steel	290-310 lm	4.8 W	1	Required	£38.20
SE11590P3*	Stainless Steel	290-310 lm	14.4 W	3	15W Included	£196.31
SE11590PS3**	Stainless Steel	290-310 lm	14.4 W	3	15W Included	£160.22

*SE11590P3 includes 3x Neo Pro, 15W Driver, CCT Receiver & Universal Remote Control
 **SE11590PS3 Smart Kit includes 3x Neo Pro & 15W Titan Smart Kinetic Driver

Cables, Connectors & Accessories

CODE	DESCRIPTION	RRP
*SE91598N0	Black Bezel	£7.86



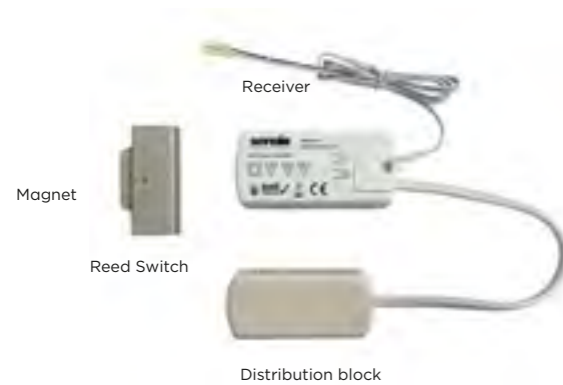
Corner Pantry Pack

LED Lighting Kit

A full pack of complimentary products to illuminate corner pantry units. Application: Includes both a spot light to cast light downwards from the top and a flexible strip to install inside the door frame to illuminate.

Contains

- **1x Zeta™:** stainless steel under cabinet spotlight.
- **1x Dart™:** 5m reel flexible LED strip.
- **1x Link-S™:** door sensor with additional switch for double doors.
- **1x 30W Titan+™ Driver:** powers the lighting with pre-wired 13A plug the shelving.



Zeta™ - See p124



Dart™ - See p44



Corner Pantry Pack - Natural White (4500K) Lighting Kit

CODE	TOTAL WATTAGE	RRP
SE13195N0	20 W	£150.88



PLINTH SPOTLIGHTS



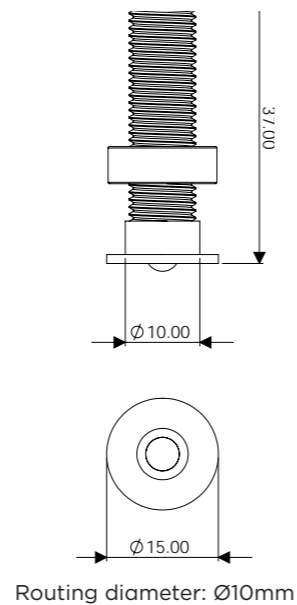


Iris™

LED Plinth Light

A stylish, discreet fitting ideal for plinth boards in kitchens or bathrooms. Available individually or as a pack of 4 (including the Titan driver and a 3 pin plug).

- **Single Colour:** Natural white light (4000K).
- **Rated IP65:** Splash resistant in bathroom zone 2.
- **Daisy Chain Compatible:** Save time wiring by linking together for continuous runs.
- **Compatibility:** Adjust brightness when paired with Sensio controls and drivers.



Iris™ LED Plinth Light - Natural White (4000K)

CODE	FINISH	LUMENS	WATTAGE	QTY	DRIVER	RRP
SE15990N0	Chrome	5 lm PF*	0.32 W	1	Required	£7.07
SE15990N4	Chrome	5 lm PF*	1.28 W	4	6W Included	£49.60

*PF = per fitting

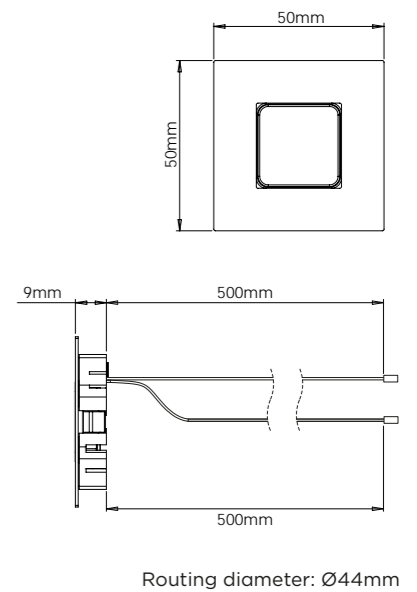


Luce TrioTone®

LED Square Plinth Light

A super slim plinth light under-cabinet light in stainless steel with TrioTone technology. Available individually or as a pack of 4 (including driver).

- **TrioTone®:** Allows you to select cool, natural or warm white with a flick of the switch on the fitting.
- **Fully Diffused:** Eliminates dark spots on the worktop.
- **Slim Depth:** Perfect for low-profile applications.
- **Daisy Chain Compatible:** Save time wiring by linking together for continuous runs.
- **Compatibility:** Adjust brightness when paired with Sensio controls and drivers.



Luce TrioTone® LED Square Plinth Light - 3000K, 4000K, 5000K

CODE	FINISH	LUMENS	WATTAGE	QTY	DRIVER	RRP
SE15090T0	Stainless Steel	20 lm PF*	0.6 W	1	Required	£9.60
SE15090T4	Stainless Steel	20 lm PF*	2.4 W	4	6W Included	£57.14

*PF = per fitting



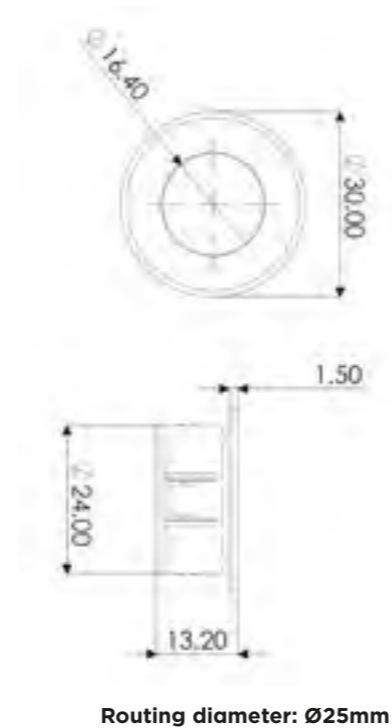


Halo TrioTone®

Plinth Light

The Halo TrioTone is a stylish, discreet and recessed fitting suitable for use on kitchen plinth, now with TrioTone technology. Available individually or as a pack of 4 (including driver).

- **TrioTone®:** Allows you to select cool, natural or warm white with a flick of the switch on the fitting.
- **Fully Diffused:** Eliminates dark spots on the worktop.
- **Slim Depth:** Perfect for low-profile applications.
- **Daisy Chain Compatible:** Save time wiring by linking together for continuous runs.
- **Compatibility:** Adjust brightness when paired with Sensio controls and drivers.



Halo TrioTone® Plinth Light - (3000K, 4000K, 5000K)

CODE	FINISH	LUMENS	WATTAGE	QTY	DRIVER	RRP
SE150000	Silver	32-35 lm PF*	0.5 W	1	Required	£10.07
SE150004	Silver	32-35 lm PF*	2 W	4	6W Included	£62.64
SE150080	Black	32-35 lm PF*	0.5 W	1	Required	£10.22
SE150084	Black	32-35 lm PF*	2 W	4	6W Included	£65.54

*PF = per fitting

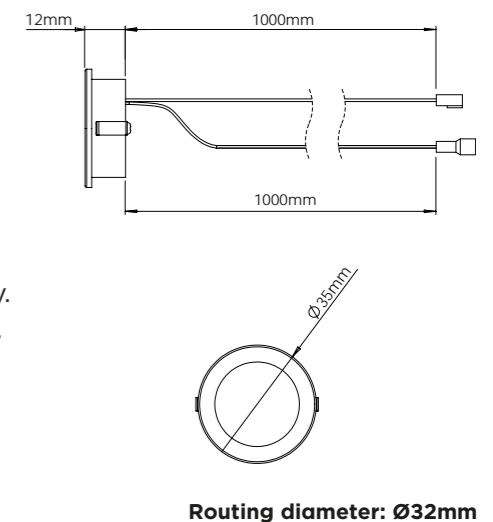


Stellar Pro™

CCT Plinth Light

A sleek and striking plinth light with large 35mm diameter for maximum light with and stainless steel rim and CCT technology. Available individually or as a pack of 4 or 10 (including driver).

- **CCT:** Correlated Colour Temperature (CCT) allows the perfect light temperature selection and transition from warm to cool white temperatures.
- **Fully Diffused:** Eliminates dark spots on the worktop.
- **Daisy Chain Compatible:** Save time wiring by linking together for continuous runs.
- **Compatibility:** Adjust brightness when paired with Sensio controls and drivers.



Stellar Pro™ - CCT LED Plinth Light (2700K - 6000K)

CODE	FINISH	LUMENS	WATTAGE	QTY	DRIVER	RRP
SE15190P0	Stainless Steel	60 lm PF*	1.5 W	1	Required	£15.47
SE15190PS4	Stainless Steel	60 lm PF*	6 W	4	**Smart Kit	£112.55
SE15190PS10	Stainless Steel	60 lm PF*	15 W	10	**Smart Kit	£192.35

*PF = Per fitting

**Smart Kit: 15W CCT Titan Smart Kinetic Driver included



RECHARGEABLE BATTERY LIGHTING

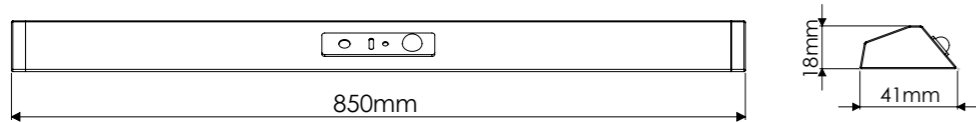




Incline™

LED Wardrobe Strip Light

- Suitable for use in a wardrobe or kitchen cabinet to illuminate the space.
- Easy retro fit design & no electrical installation required.
- Integrated PIR sensor activates the lights when wardrobe door opens.
- Light will remain on for 30 seconds then switch off if no motion is detected.
- Contains rechargeable lithium-ion battery.
- 6.5 months battery power based on 2.5 minutes usage per day.
- Average charging time is 4.5 hours.
- USB charger sold separately.



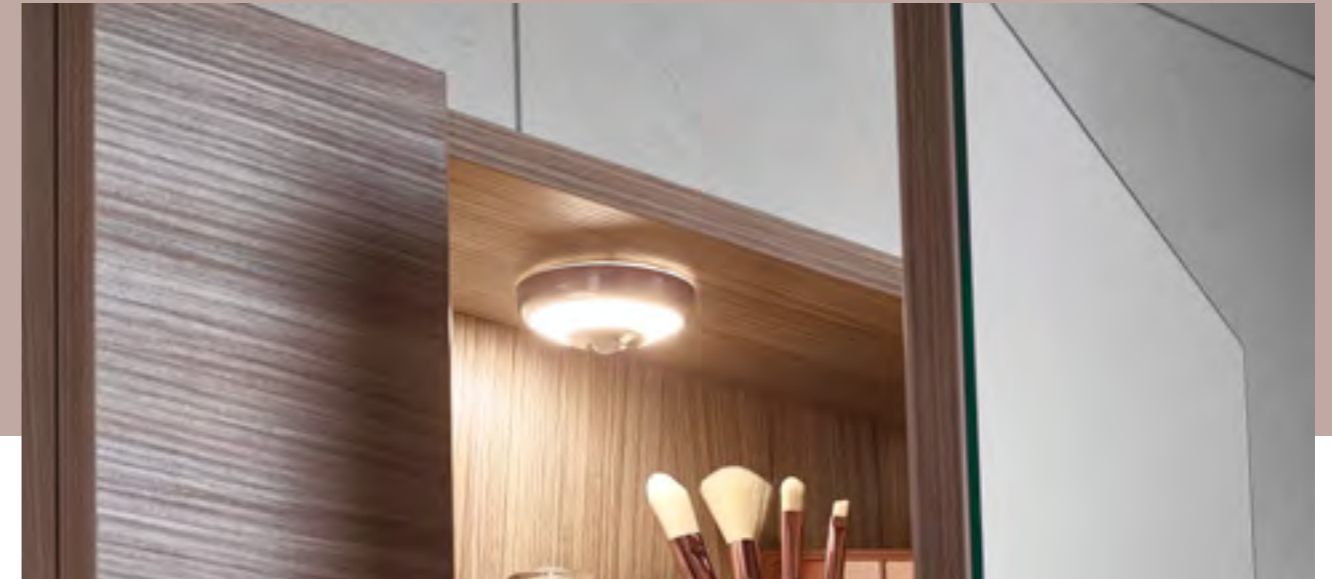
Incline™ LED Wardrobe Strip Light - Natural White (4500K)

CODE	LENGTH	LEDS	LUMENS	WATTAGE	QTY	RRP
SE20242CO	350mm	6pcs	27 lm	0.4 W	1	£105.04
SE20252CO	550mm	10pcs	48 lm	0.6 W	1	£107.87

Minimum Order Quantity (MOQ) of 250 units applies

Cables, Connectors & Accessories

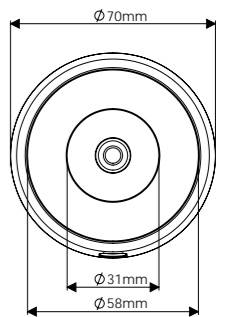
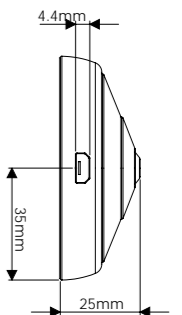
CODE	DESCRIPTION	RRP
SE2007000	USB adapter with 5m USB to micro USB	£12.60



Magnum™

Rechargeable Battery Light

- Ideal for wardrobes and kitchen cabinets.
- Easy retro fit design and no electrical installation required.
- Integrated PIR sensor with a 1500mm range of 120° activates the light.
- Simple installation via a self adhesive magnetic plate - the light then attaches to the magnetic plate and removes for charging.
- Contains rechargeable lithium-ion battery.
- Rapid battery charge time (<2 hours).
- On/off switch to save battery capacity.
- If no movement is detected, the unit will switch off after 10 seconds.
- 6 months battery power - based on 2 minutes of usage per day.
- 150mm USB charger cable included.



Magnum™ Rechargeable Battery Light - Natural White (4500K)

CODE	FINISH	LUMENS	WATTAGE	VOLTAGE	QTY	RRP
SE3391NO	Chrome	100 lm	0.4 W	5V	1	£36.13
SE3300NO	Stainless Steel	100 lm	0.4 W	5V	1	£34.80

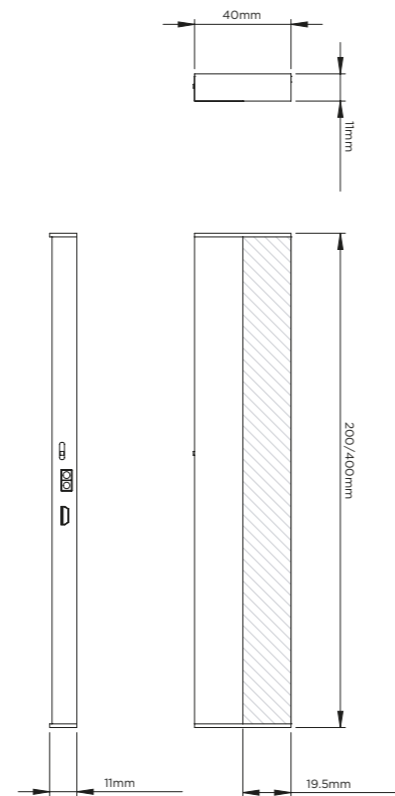




Strata™

Sensor Controlled LED Light

- Ideal for wardrobes, drawers and kitchen cabinets.
- Retro fit design with no electrical installation required.
- Integrated sensor with 2 control options.
- Simple installation via a self adhesive magnetic plate - the light then attaches to the magnetic plate and removes for charging.
- Contains rechargeable lithium-ion battery.
- On/off switch to save battery capacity.
- 6 months battery power - based on 2 minutes of usage per day.



Strata™ Rechargeable Battery Light - Natural White (4500K)

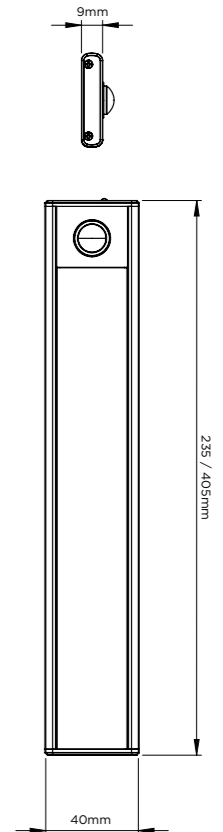
CODE	FINISH	LENGTH	LUMENS	WATTAGE	VOLTAGE	QTY	RRP
SE11002N0	Aluminium	200mm	100 lm	0.4 W	5V	1	£24.64



Opus™

Sensor Controlled LED Battery Light

- Retro fit design with no electrical installation required.
- Simple installation with self adhesive magnetic plates.
- Contains rechargeable lithium-ion battery.
- On/off switch to save battery capacity.
- Integrated PIR sensor control.
- 8 months battery power - based on 3 minutes usage per day.
- USB-C charging cable included.
- Available in two sizes: 235mm and 405mm.
- IP Rating: IP20.



Opus™ Rechargeable Battery Light - Natural White (4000K)

CODE	FINISH	LENGTH	LUMENS	WATTAGE	VOLTAGE	QTY	RRP
SE140012N0	Aluminium	235mm	90lm	1.4W	5V	1	£21.41
SE140022N0	Aluminium	405mm	150lm	3W	5V	1	£31.14



CEILING & FEATURE LIGHTING

150



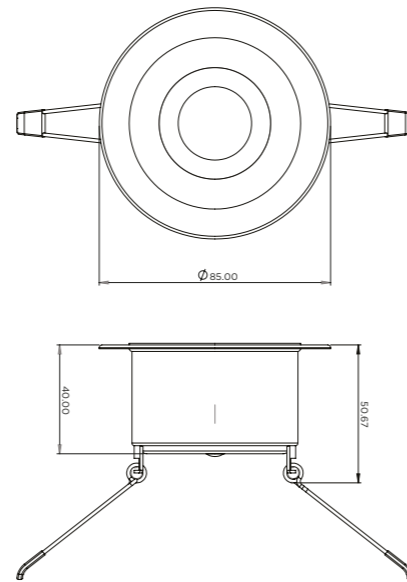
151



Cara™

Fire Rated Downlight

- Super slim interchangeable bezels easily clip on and off the fitting.
- Fully tested to 30, 60, 90 minutes fire rating.
- Dimmable from 0-100%.
- 38° beam angle.
- 68mm hole routing.
- IP65 rated making it suitable for both kitchen and bathroom use (Zone 1 and 2).



Routing diameter: Ø60mm

Cara™ - IP65 Fire Rated LED Downlight - Natural White

CODE	WATTAGE	VOLTAGE	QTY	RRP
SE62099NO	5W	240V	1	£15.96

Cara Downlight Bezel Accessory

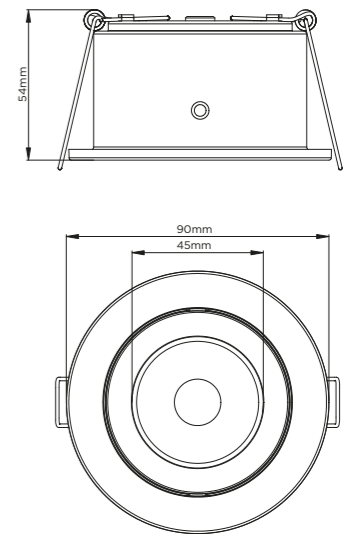
CODE	FINISH	RRP
SE630970	Black	£5.58
SE630910	Chrome	£5.58



Elena TrioTone®

Fire Rated Downlight

- TrioTone® technology allows you to select cool (5000K), natural (4000K) or warm (3000K) white with a flick of the switch on the back of the fitting.
- Tilttable bulb housing to control the light direction.
- Fully tested to 30, 60, 90 minutes fire rating.
- Dimmable from 5-100%.
- 38° beam angle.
- 68mm hole routing.
- IP65 rated making them suitable for kitchen and bathroom use (Zone 1 and 2).



Routing diameter: Ø80mm

Elena TrioTone® - Tilttable Downlight

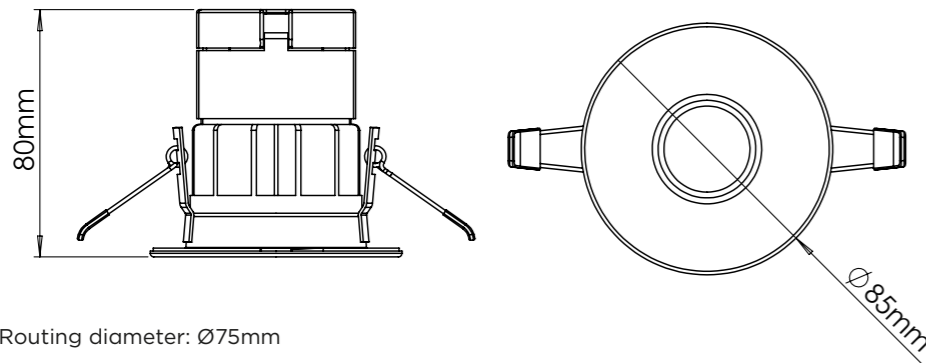
CODE	FINISH	LUMENS	WATTAGE	VOLTAGE	QTY	RRP
SE62198TO	Black	-	6W	240V	1	£36.88
SE62191TO	Chrome	-	6W	240V	1	£39.55
SE62199TO	White	-	6W	240V	1	£36.88



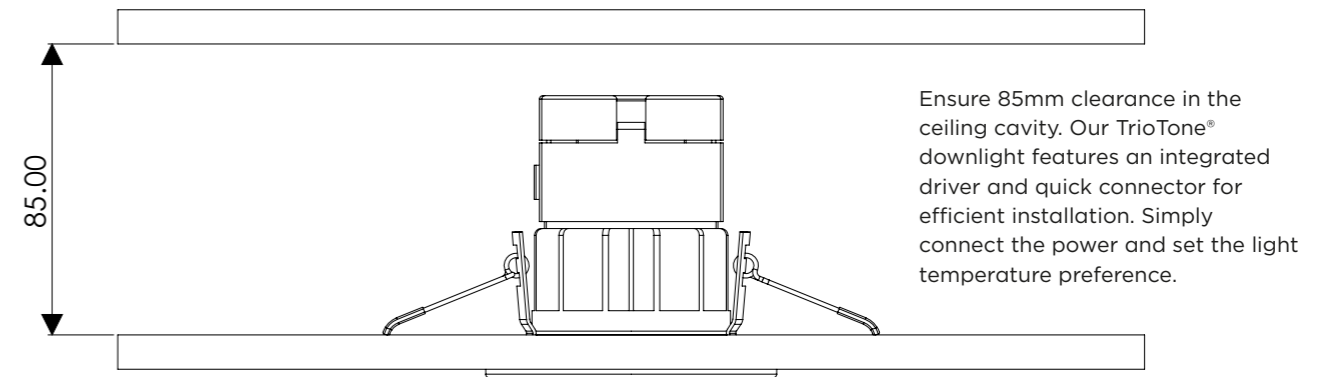
TrioTone® IP65

Fire Rated Downlight

- A range of features and finishes in one fitting for the perfect ceiling spotlight .
- TrioTone® technology allows you to select cool white, natural white or warm white with a flick of the switch on the back of the fitting.
- Incorporates integrated driver.
- Super slim interchangeable bezels easily clip on and off the fitting.
- 3 bezels included - white, chrome & brushed steel.
- Easy to install (Plug & Play Technology).
- Fully tested to 30, 60, 90 minutes fire rating.
- Dimmable from 0-100%.
- Brighter than a 50W GU10 Halogen.
- IP65 rated making it suitable for both kitchen and bathroom use (Zone 1 and 2).



Routing diameter: Ø75mm



TrioTone® IP65 Fire Rated Downlight - (3000K, 4000K, 5000K)

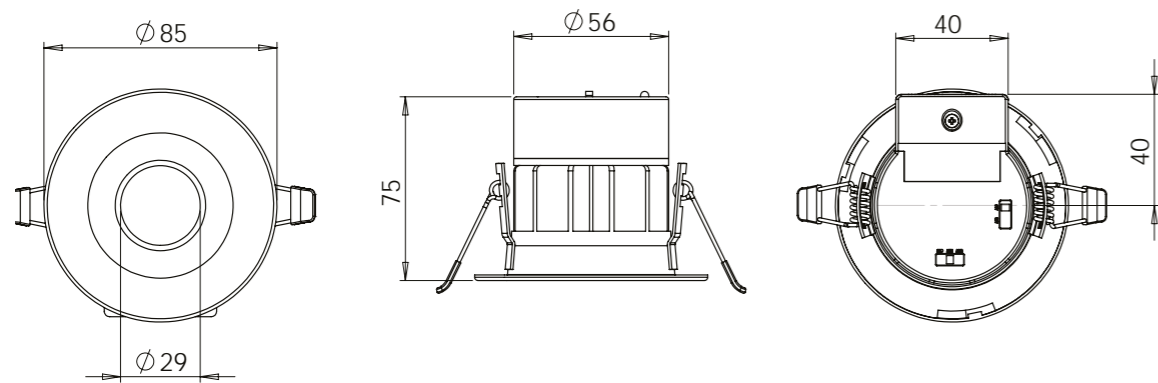
CODE	LUMENS	WATTAGE	VOLTAGE	QTY	RRP
SE62095T0	650-700 lm	8 W	240V	1	£42.80



Pure TrioTone®

Dual Power IP65 Fire Rated Downlight

- A range of features and finishes in one fitting for the perfect ceiling spotlight.
- TrioTone® technology allows you to select cool white, natural white or warm white with a flick of the switch on the back of the fitting.
- Incorporates integrated driver.
- Super slim interchangeable bezels easily clip on and off the fitting.
- 3 bezels included - white, chrome & brushed steel.
- Easy to install (Plug & Play Technology).
- Fully tested to 30, 60, 90 minutes fire rating.
- Dimmable from 0-100%.
- Dual power switch, 5W & 8W settings.
- IP65 rated making it suitable for both kitchen and bathroom use (Zone 1 and 2).



Routing diameter: Ø75mm

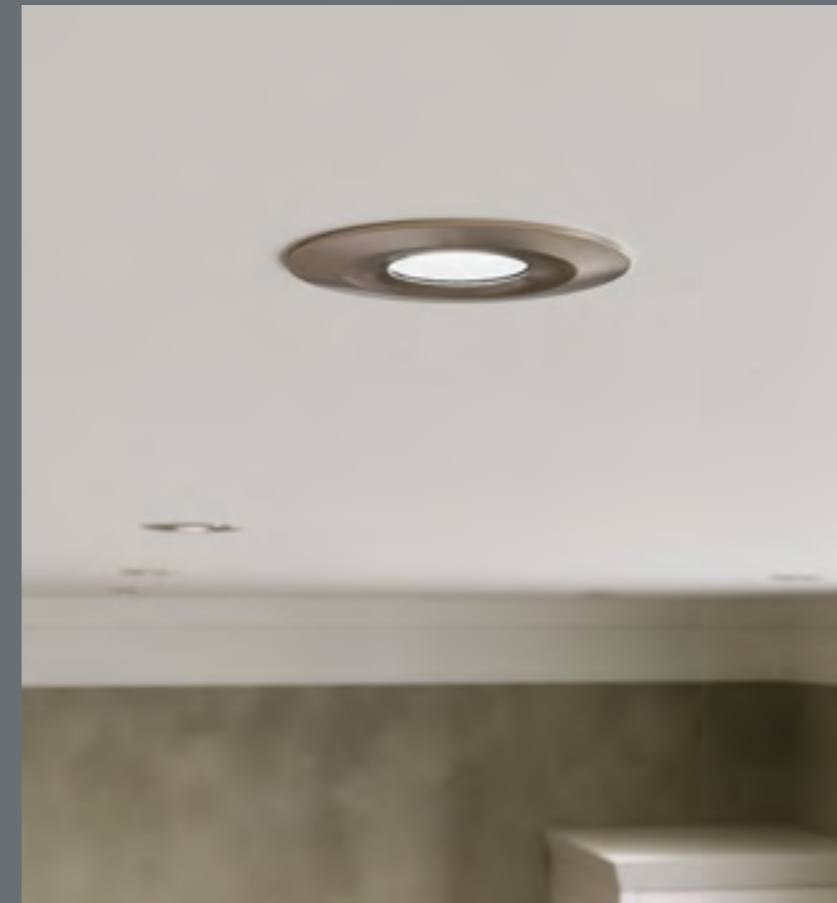
Pure TrioTone®, Dual Power IP65 Fire Rated Downlight - (3000K, 4000K, 5000K)

CODE	FINISH	LUMENS	WATTAGE	VOLTAGE	QTY	RRP
SE62299T0	White Bezel Included	650-700 lm	5W / 8W	240V	1	£28.56

Pure TrioTone® Downlight Bezel Accessories

CODE	FINISH	RRP
SE620980	Black	£3.54
SE620970	Brass	£5.26
SE631910	Chrome	£5.26
SE601970	Copper	£5.26
SE620900	Stainless Steel	£5.26

Bezels also compatible with the TrioTone® IP65 Downlight



Dual Power TrioTone® - Two switches on the back of every fitting allow quick selection of 5W or 8W power and cool, natural or warm colour temperature.

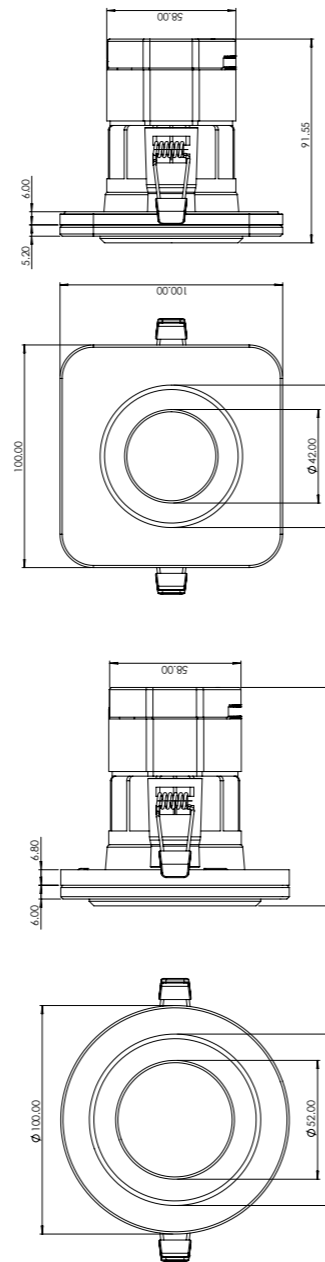
Daisy Chain - Save installation time and avoid extensive cable running with daisy chain connectivity, leading power from one fitting to the next.

Compliment the Design - The Pure downlights are supplied with a white bezel as standard which is easy to switch out for a selection of finishes, sold separately.

Cube & Circa TrioTone®

Dual Power IP65 Fire rated Downlight

- A stylish, glass bezel ceiling spotlight available in two shapes and two finishes.
- Bezel available in both clear glass or smoked glass.
- Choose from either square with rounded corners (Cube) or round (Circa) fitting .
- TrioTone® technology allows you to select cool white, natural white or warm white with a flick of the switch on the back of the fitting.
- Incorporates integrated driver.
- Easy to install (Plug & Play Technology).
- Fully tested to 30, 60, 90 minutes fire rating.
- Dimmable from 0-100%.
- Brighter than a 50W GU10 Halogen.
- IP65 rated making them suitable for kitchen and bathroom use (Zone 1 and 2).
- Cube - Registered Design Right - 6056146.
Circa - Registered Design Right - 6056147.



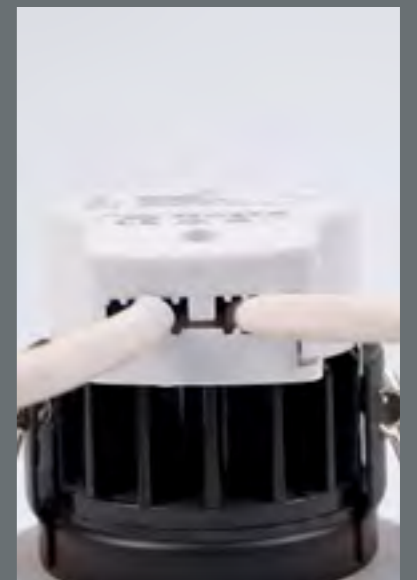
Routing diameter: Ø75mm

Cube TrioTone® & Circa TrioTone® Dual Power - (3000K, 4000K, 5000K)

CODE	DESCRIPTION	LUMENS	WATTAGE	VOLTAGE	QTY	RRP
SE62094T0.1	TrioTone® Circa (Clear Glass)	650-700 lm	8 W	240V	1	£53.81
SE62294T0.1	TrioTone® Circa (Smoked Glass)	650-700 lm	8 W	240V	1	£54.94
SE62194T0.1	TrioTone® Cube (Clear Glass)	650-700 lm	8 W	240V	1	£54.37
SE62394T0.1	TrioTone® Cube (Smoked Glass)	650-700 lm	8 W	240V	1	£55.51



Dual Power TrioTone® - Two switches on the back of every fitting allow quick selection of 5W or 8W power and cool, natural or warm colour temperature.

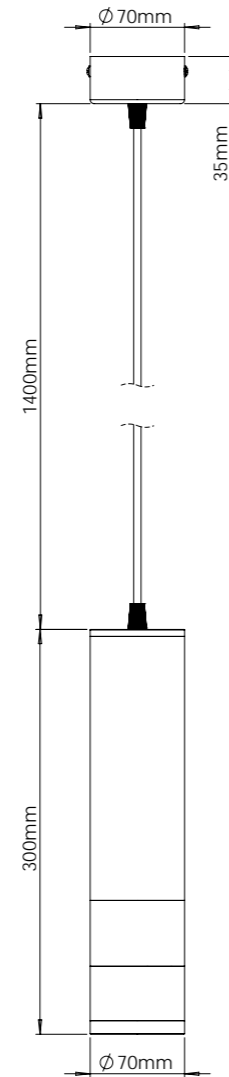


Daisy Chain - Save installation time and avoid extensive cable running with daisy chain connectivity, leading power from one fitting to the next.

Solinas™

Black Pendant Light

- A striking crushed crystal, matte black industrial style cylindrical pendant light.
- Perfect for both single or cluster implementation.
- Offers diffused illumination through its crystalline ring and underside lens.
- Available in both cool and warm white with a replaceable GU10 LED bulb.
- Suitable for use with a wall dimmer.
- Suspended on a 1.4m black cable from a matt black ceiling mount.
- IP44 rated - protected against solid objects over 12mm (e.g. fingers) and protected against water drops at a 15 degree angle from the vertical.



Solinas™ Black Pendant Light - Cool White (6500K)

CODE	FINISH	LUMENS	WATTAGE	VOLTAGE	QTY	RRP
SE82098CO	Black	164 lm	3.5 W	240V	1	£85.67

Solinas™ Black Pendant Light - Warm White (3000K)

CODE	FINISH	LUMENS	WATTAGE	VOLTAGE	QTY	RRP
SE82098WO	Black	132 lm	3.5 W	240V	1	£85.67



SENSIOPOD POP-UP SOCKETS





SensioPod E™

Pull up Socket

- Slim handle sits almost flush with the worktop for a seamless finish.
- Spring mounted handle - gentle push down to release then pull up.
- 3 x Power sockets.
- 2 x USB sockets.
- Simple installation - 1500mm cable with 13A plug attached.
- IP20 rated.
- Available in stainless steel, aluminium and black finishes.



Simple - Press the cap to release the spring and pull-up the power.



SensioPod E™ - Pull Up Socket

CODE	FINISH	POWER IN	POWER SUPPLY	RRP
SE891900	Stainless Steel	13A plug	Sockets: 3 x power & 2 x USB	£86.75
SE894920	Aluminium	13A plug	Sockets: 3 x power & 2 x USB	£86.75
SE894930	Black	13A plug	Sockets: 3 x power & 2 x USB	£86.75



SensioPod M™

Motorised Socket

- Motorised mechanism to raise and lower the unit.
- Anti-trap feature stops the unit if an obstruction is detected.
- Pausing feature to allow the pod to be partially lowered when in use.
- Simple touch sensor control on the top of the pod.
- 3 x Power sockets.
- 2 x USB sockets.
- Integrated Qi charger in the top of the unit.
- Simple installation - 1.8m cable with 13A plug attached.
- IP54 rated.
- Aluminium finish.



Effortless - Integrated touch ring to awaken and control the pod height.

SensioPod M™ - Motorised Socket with Qi Charger

CODE	FINISH	POWER IN	POWER SUPPLY	RRP
SE892920	Aluminium	13A plug	Sockets: 3 x power & 2 x USB	£426.55





SensioPod M™ Bluetooth®

Motorised Bluetooth Socket

- Motorised mechanism to raise and lower the unit.
- Anti-trap feature stops the unit if an obstruction is detected.
- Pausing feature to allow the pod to be partially lowered when in use.
- Simple touch sensor control on top of the pod.
- 2 x Power sockets.
- 2 x USB sockets.
- Integrated Qi charger in the top of the unit.
- Integrated Bluetooth speaker to connect compatible devices for playing music.
- Simple installation - 1.8m cable with 13A plug attached.
- IP54 rated.



Effortless - Integrated touch ring to awaken and control the pod height.

SensioPod M™ Bluetooth® - Motorised Socket with Bluetooth & Qi Charger

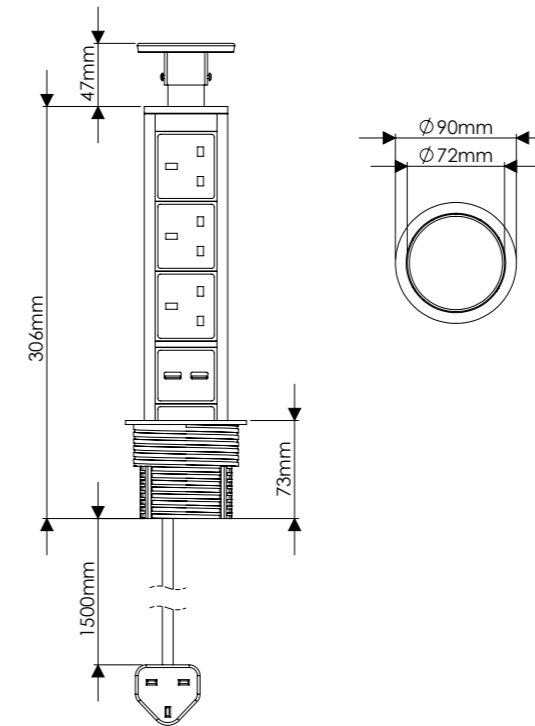
CODE	FINISH	POWER IN	POWER SUPPLY	RRP
SE893920	Aluminium	13A plug	Sockets: 2 x power, 2 x USB ports & Bluetooth Speaker	£501.47



Simple Installation

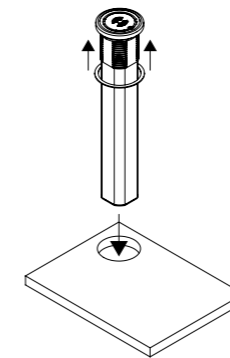
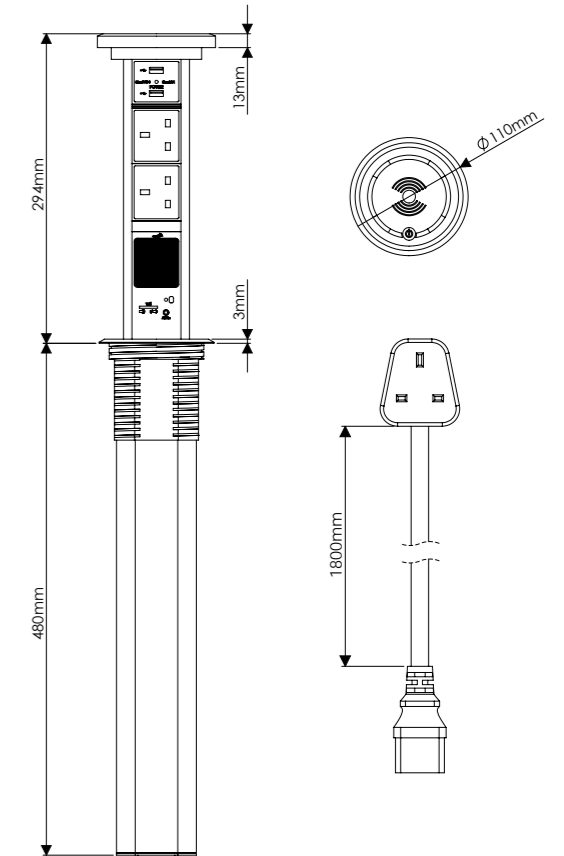
SensioPod E

A simple mounting ring contains the spring mechanism to raise and close the pod. The unit hangs open when recessed beneath the surface.

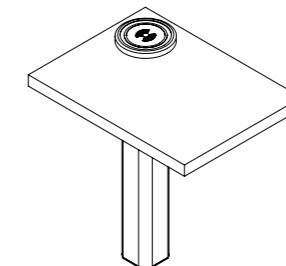


SensioPod M / M Bluetooth

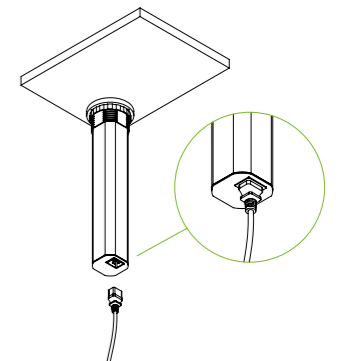
A sleeve houses the motorised mechanism and descends beneath the work surface. Additional space should be considered as the lower part is taller.



Create a hole - Route a hole in the work surface where the SensioPod will be installed.



Slot in the SensioPod - Recess the SensioPod into the hole so that the ring sits flush to the surface.



Connect the power - Connect the power lead under the unit and plug into the power.

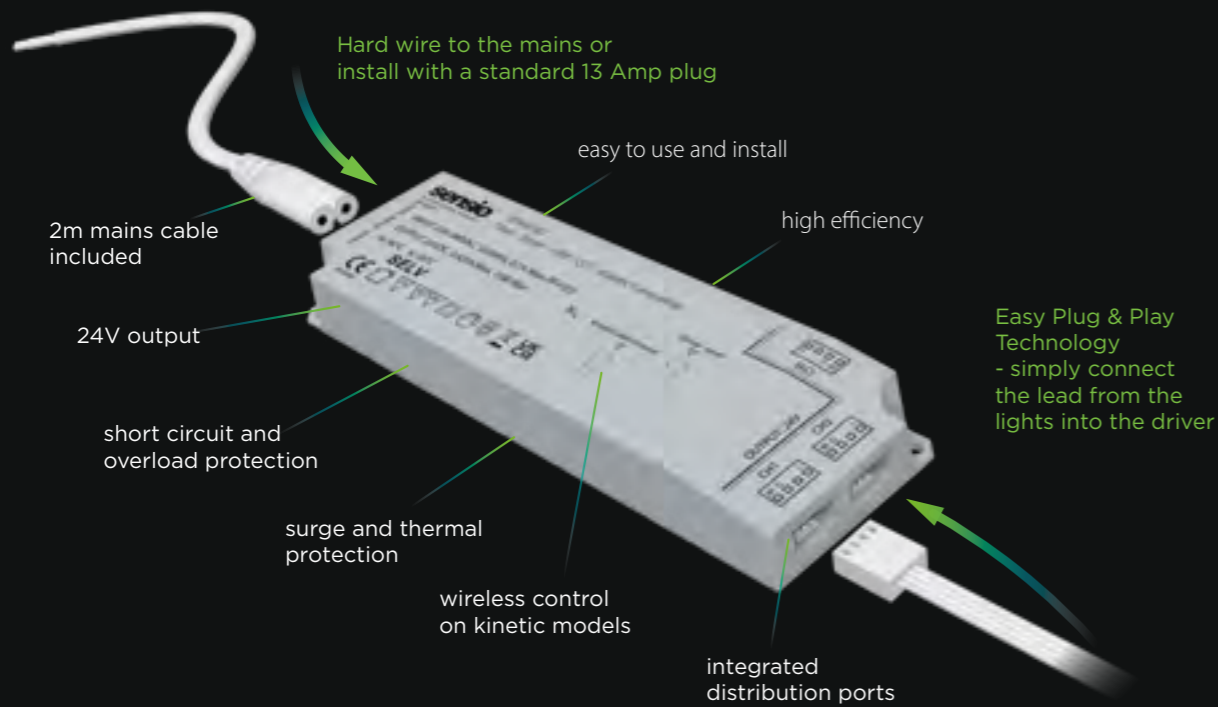
LIGHTING POWER & CONTROL



Titan™ Drivers

Power packed with features.

Our Titan™ range of drivers offer an excellent choice based around how the lights will be controlled. All Titan drivers feature a slimline profile measuring just 16mm in depth making them a discreet solution that can be hidden away easily during installation. The drivers all feature integrated connector ports rather than a traditional distribution block, streamlining the design.



Multiple lighting lines

Simultaneously run multiple light lines. Just remember to total the wattage.

Advanced control options

Incorporate receivers and sensor extensions to increase the driver functionality.



Titan Dimmable™



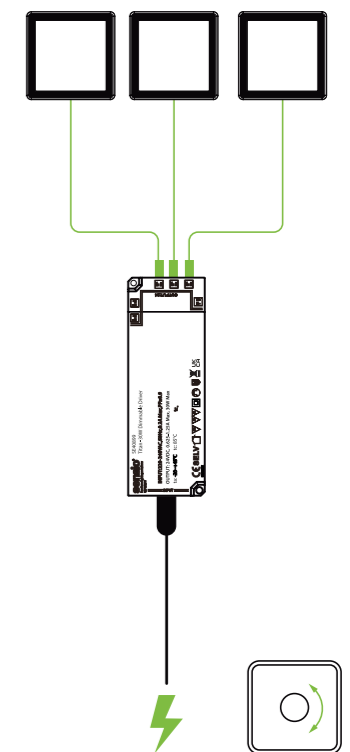
Driver

- Depth of 16mm.
- Integrated 2-pin connector, distributor ports.
- 2m mains cable included.
- Short circuit & overload protection.
- Surge and thermal protection.
- Wide dimming range: 5% - 100%.
- Wall dimmable.
- Easy to use - Just plug and play.
- Minimum 25% load.

TIP

Consider the wattage. Dimmable drivers require a minimum 25% load to function efficiently.

- **For 15W:** connect a minimum 3.75W of lighting
- **For 30W:** connect a minimum 7.5W of lighting
- **For 60W:** connect a minimum 15W of lighting



Titan Dimmable™ - Compatible with a wall dimming switch

CODE	DRIVER	NO. PORTS	RRP
SE40799	Titan™ 15W Dimmable Driver	6	£26.58
SE40899	Titan™ 30W Dimmable Driver	6	£44.86
SE40699	Titan™ 60W Dimmable Driver	10	£52.39





Titan+™

Sensor Driver

- Slim 16mm depth.
- Easy to use and install.
- Available as 6W/15W/30W.
- Integrated 2-pin connector, distribution ports.
- Compatible lighting control accessories - PIR, IR, Switch & Door sensors. Simply plug in the chosen sensor to the designated port in the driver.
- Mains cable included.
- Dimmable when paired with the Titan+™ IR or touch sensors.

Titan+ - Plug & play sensor drivers

CODE	DRIVER	PORTS	RRP
SE495950	Titan+™ 6W Driver	4	£25.01
SE496950	Titan+™ 15W Driver	6	£30.49
SE497950	Titan+™ 30W Driver	6	£49.69
SE150004A0	Titan+™ 60W Driver	6	£50.90
SE150014A0	Titan+™ 150W Driver	6	£85.50



Titan+™ Wired Sensors

Perfect for recessed or surface mounting (with the included bracket)

- Cut out diameter of 12mm
- 2m connection cable

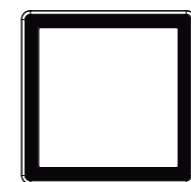
Titan+™ IR Sensor - Allows activation of all lighting plugged into the Titan+ driver with the swipe of a hand. Detection range of 0-5cm. Adds dimmable functionality to Titan+ driver.

Titan+™ Door Sensor - Allows activation of all lighting plugged into the Titan+ driver with the opening and closing of doors.

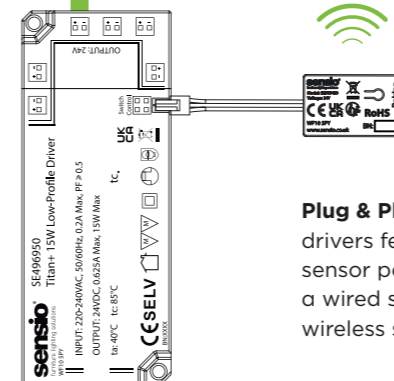
Titan+™ PIR Sensor - Allows activation of all lighting plugged into the Titan+ driver by detecting motion. Detection range of 0-3m and a detection angle of 120°.

Titan+™ Push Switch - A robust clicker switch allowing activation of all lighting plugged into the Titan+ driver with the push of a button.

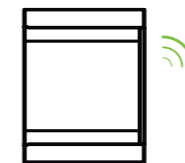
CODE	DESCRIPTION	RRP
SE490250	IR Sensor	£15.89
SE491250	PIR Sensor	£18.08
SE492250	Push Switch	£8.42
SE493250	Door Sensor	£14.42



All Titan+™ drivers feature 2-pin ports - Connect any single colour or TrioTone® 2-pin lights. Just remember the total wattage of the lights, should not exceed the driver wattage.



Plug & Play - All Titan+™ drivers feature a dedicated sensor port. Simply connect a wired sensor or the wireless sensor receiver.



TIP

The Titan+™ is not suitable for direct use with a mains, wall dimming switch. All of our accessories control the current after the driver circuit. For control with a wall dimming switch see p.171.



Titan+™ Sensor Adapter

Turn any standard driver into a Titan+ or use to control independent lines.

CODE	DESCRIPTION	RRP
SE797990	Titan+™ Sensor Adapter	£9.66



Titan+™ Double Door Adapter

Use with 2 Titan+™ door sensors to activate lighting with either side of a double door cabinet.

CODE	DESCRIPTION	RRP
SE797991	Titan+™ Double Door Sensor Adapter	£15.26

Titan+™ Wireless

Sensor Range

Eliminate the hassle of wires and cables with the Titan+™ Wireless range. Available in 4 different sensor options, giving a choice of control and allowing bespoke product creation. As well as ease of use, the Titan+™ Wireless range reduces energy consumption, as they don't require a constant power supply or connection.

- No messy wires to hide.
- Perfect for surface mounting with the included bracket.
- Available in 4 types - Touch, IR, Door and PIR sensor.
- Compatible with the Titan+™ Driver.
- Easily pair up to 10 sensors to one receiver for wireless connection.
- Detection range from sensor to receiver: up to 5m.



Intuitive hand-gesture control without the need to route extra cables

Discreet control anywhere.



Effortless - one touch pairing



Low profile - sensor and bracket design

Quick connect - receiver plugs directly into the Titan+ port



Titan+™ Wireless IR Sensor - Activate by swiping hand in front of sensor or dim the lights by holding hand in front of sensor



Titan+™ Wireless PIR Sensor - Lighting will activate with movement from up to 2500mm



Titan+™ Wireless Door Sensor - Activate lighting by opening the cabinet door. Works for both single and double doors.



Titan+™ Wireless Touch Sensor - Tap sensor to turn lighting on/off. Tap and hold sensor for 5 seconds to dim lighting

Sensor & Receiver - ready to plug & play

CODE	SENSOR TYPE	RRP
SE900530	Titan+™ Wireless IR Sensor™ and Receiver	£22.39
SE900730	Titan+™ Wireless Touch Sensor™ and Receiver	£25.25
SE900830	Titan+™ Wireless Door Sensor™ and Receiver	£25.60
SE900630	Titan+™ Wireless PIR Sensor™ and Receiver	£31.80

Additional Sensors and Receivers

CODE	SENSOR TYPE	RRP
SE900030	Titan+™ Wireless IR Sensor	£13.92
SE900230	Titan+™ Wireless Touch Sensor	£13.56
SE900330	Titan+™ Wireless Door Sensor	£14.29
SE900130	Titan+™ Wireless PIR Sensor	£15.82
SE900430	Titan+™ Wireless Receiver	£8.68



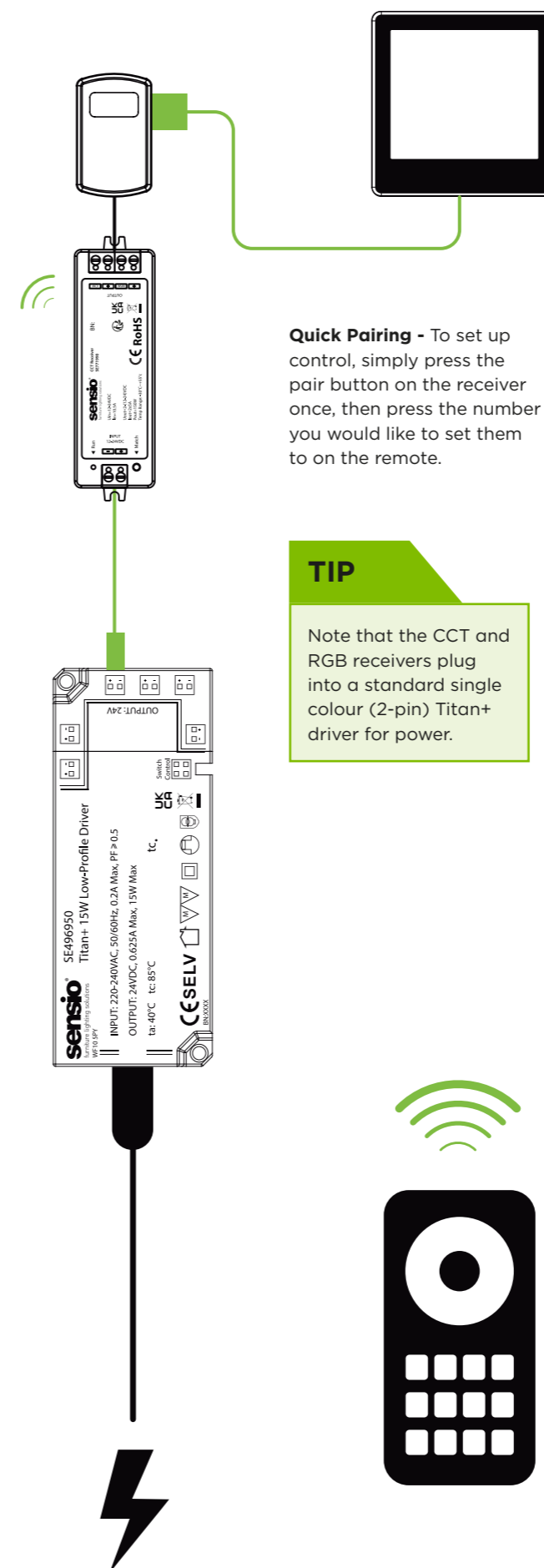
Universal Remote Control™

For Advanced Lighting Design & Zoning

- The remote can control single colour lighting (dimming), CCT (tunable white) and RGB (colour changing) lights.
- Offers a multitude of functions including the ability to set up channels and zone lighting.
- Wall mounting bracket provided to keep the remote safe and secure when not in use.
- Requires 2x AAA batteries (not included).
- Use in conjunction with the appropriate receiver for the chosen lights.

Universal Remote Control™ & Receivers

CODE	DESCRIPTION	NO. PORTS	RRP
SE770390	Universal Remote Control™	-	£42.50
SE772990	Single Colour Receiver	4	£36.54
SE771990	CCT Receiver	4	£37.00
SE770990	RGB CCT Receiver	1	£43.73



Quick Pairing - To set up control, simply press the pair button on the receiver once, then press the number you would like to set them to on the remote.

TIP

Note that the CCT and RGB receivers plug into a standard single colour (2-pin) Titan+ driver for power.



Receivers

Pair with Universal Remote

- Receivers plug into a port on Titan+ drivers to all control of lights with the Universal Remote Control.
- The receiver has a memory function to recall settings.
- Multiple receivers can be paired with the a single Universal Remote Control.

Single colour Receiver

Control 2-pin, single colour and TrioTone lights

- 30m range
- 96W at 12V and 192W at 24V

CCT Receiver

Control 4-pin, CCT (Correlated Colour Temperature) lighting products

- 30m range
- 60W at 12V and 120W at 24V

RGB CCT Receiver

Control 6-pin, RGB CCT lights

- 30m range
- 36W at 12V and 72W at 24V



Titan Smart Kinetic™

Wireless Switch & Voice Activated Driver

- Slim 16mm depth.
- Easy to use and Install.
- Integrated distribution ports.
- Compatible with Amazon Alexa & Google Assistant for voice activated control over the lighting.
- Combine with the Link Sensio Smart Phone App (available for both Android and iOS devices) to access a multitude of clever features such as dimming, colour changing and lighting schedules.
- For wireless lighting control, pair with the Titan Kinetic Switch - the multi-functional buttons allow intuitive control over power, dimming and colour temperature and require no wiring or mains power.
- Mains cable included.
- Available for both single-colour and CCT lights.

Titan - Smart Kinetic Driver

CODE	WATTAGE	CONTROL	No. PORTS	CHANNELS	RRP
SE406581	15 W	Single-colour	5	5	£62.12
SE406591	30 W	Single-colour	5	5	£72.16
SE00056	60 W	Single-colour	5	5	£75.36
SE406582	15 W	CCT	3	3	£62.70
SE406592	30 W	CCT	6	3	£73.93
SE00057	60 W	CCT	6	3	£76.56



Kinetic Switch

Wireless Control

- Switch can be placed anywhere with no additional power or wiring required.
- Simple, wall mount installation via screws or adhesive tape included.
- Connects to the Titan Kinetic driver and 240V mains receiver at the press of a button.
- One, two and three gang options available for additional control functions such as dimming, colour adjust and zoning.

240V Kinetic Receiver



Wireless & Smart Mains Control

- Allows control of any mains lighting with the wireless kinetic switch.
- dimming with compatible lights such as the Sensio IP65 downlights.
- WiFi function for control via the Link Sensio App and smart home devices.
- 200 - 240V mains input.
- Maximum load 100W.

Titan - Kinetic Controls & Accessories

CODE	DESCRIPTION	RRP
SE781990	1 Gang Kinetic Switch	£28.99
SE782990	2 Gang Kinetic Switch	£34.91
SE783990	3 Gang Kinetic Switch	£40.81
SE780990	240V Kinetic Receiver	£67.21



Link Sensio™

Smart Phone App

The "Link Sensio" app is available to download for free on both iOS and Android smart devices. Use the app, in conjunction with a smart home device, to operate our Titan Smart Kinetic Driver.





Titan Smart RGB CCT™

Full Colour Control Smart Driver

- For use with the Sensio Flux RGB CCT and Polar RGB CCT Flexible LED strip lights.
- Slim 16mm depth.
- Easy to use and Install.
- Integrated distribution ports.
- Compatible with Amazon Alexa & Google Assistant for voice activated control over the lighting.
- Combine with the Link Sensio Smart Phone App (available for both Android and iOS devices) to access a multitude of clever features such as dimming, colour changing and lighting schedules.
- Mains cable included.

Titan - Smart RGB CCT Driver

CODE	WATTAGE	CONTROL	No. PORTS	RRP
SE405595	30 W	RGB CCT	4	£65.10



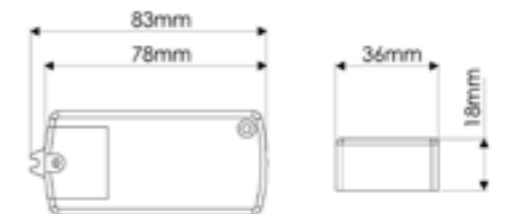
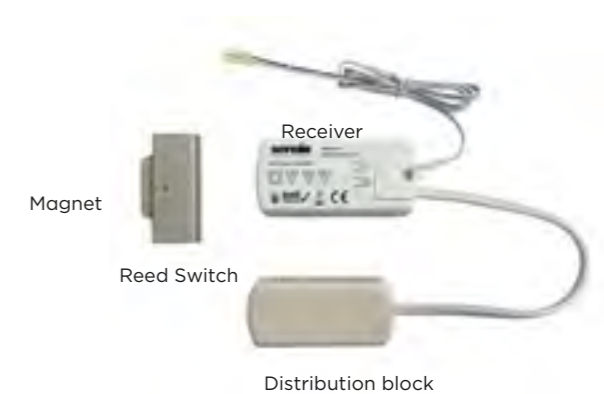
Works with Link Sensio.
See p179.



Link-S™

Receiver, Magnet & Reed Switch

- Control lighting wirelessly through the opening and closing of doors.
- Magnet and Reed Switch suitable for mounting on any door and frame or surround.
- Opening the door will send a signal to the receiver to trigger the lighting (as the magnet loses contact with the Reed Switch).
- Small size of components means that their appearance is discreet.
- Control multiple lights within a kitchen or bedroom.
- Range of >8m.
- Battery life of >3 years.
- One receiver can support up to five Magnets and Reed switches.
- One Reed Switch and Magnet can support up to five receivers .



Link-S™ - Receiver, Magnet and Reed Switch

CODE	DESCRIPTION	MAX. WATTAGE	No. PORTS	RRP
SE79095	Receiver, Magnet and Reed Switch	72 W	6	£41.34

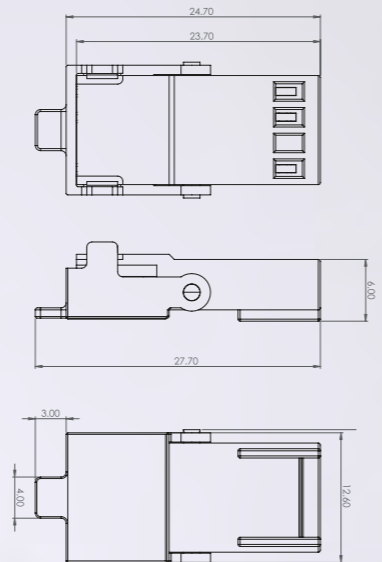
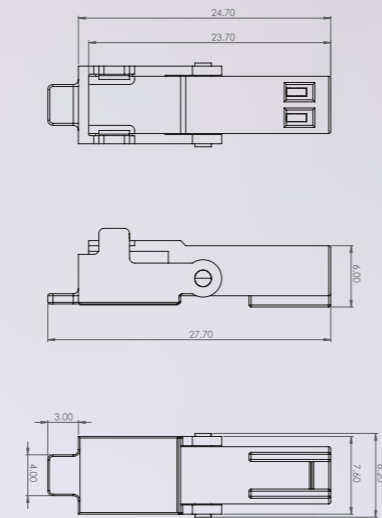


JB4 Detachable Connectors™

Simplifying Cable Management

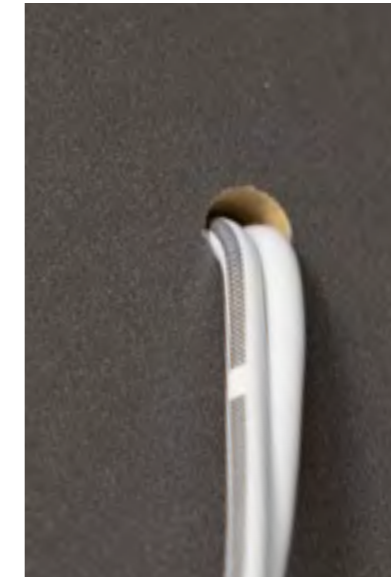
No need for large cable holes with the detachable JB4 connector. Simply cut the lead to the required length and attach the JB4 clip, you don't even need to strip the cable!

- **Compatibility:** Use any Sensio lighting products that require a driver lead.
- **Availability:** 2-pin (Single colour or TrioTone®) and 4-pin (CCT).
- **Patent protected:** P47523GB1.



JB4 Detachable Connectors™

CODE	DESCRIPTION	QTY	RRP
SE00251	2-pin (Single colour)	10	£16.50
SE00252	4-pin (CCT)	10	£18.98



Step 1.

Cut the wire and feed it through your pre-drilled hole.



Step 2.

Insert the copper with into the two holes and press the connector lid down.



Step 3.

Insert the JB4 connector into your driver.

Common Components

Choose the components by the connection type of the lights you are using. Always remember to calculate the total wattage of lights. Use port expanders to connect as many fittings as required, so long as the total wattage does not exceed that of the driver capacity.



Single Colour Extension Lead

All Sensio single colour and TrioTone® lights use a 2-pin JB4 type connection port. This 2.5m, male to female lead can be used to extend the distance between any light fittings or accessories.

CODE	RRP
LED1903	£3.94



CCT Extension Lead

All Sensio CCT / Pro lights use a 4-pin JB4 type connection port. This 2.5m, male to female lead can be used to extend the distance between any CCT lights or accessories.

CODE	RRP
SE90010	£5.46



RGB CCT Extension Lead

All Sensio RGB CCT lights use a 6-pin JB4 type connection port. This 2.5m, male to female lead can be used to extend the distance between any RGB CCT lights or accessories.

CODE	RRP
SE90011	£5.20



Driver UK Power Lead

Compatible with all Sensio drivers to provide mains power from a standard wall socket.

CODE	RRP
DRV1000	£8.29



Single Colour Port Expander

Increase the capacity of the driver with 12 extra ports

- Compatible with 2-pin single colour and TrioTone® lights

CODE	RRP
SE990990	£3.49



CCT Port Expander

Increase the capacity of the driver with 4 extra ports

- Compatible with 4-pin CCT lights

CODE	RRP
SE992990	£6.01



RGB CCT Port Expander

Increase the capacity of the driver with 4 extra ports

- Compatible with 6-pin CCT lights

CODE	RRP
SE991990	£6.96



Connects a CCT light to a standard Titan+ driver



TrioTone® Switch Control™

The TrioTone® controller allows you to select cool white (5000K), natural white (4000K) or warm white (3000K) with the touch of a button.

- The controller plugs directly into any standard LED driver, making any CCT product TrioTone® compatible. This enables the light source to be matched to any interior design style, as well as providing the flexibility to be changed in the future.

CODE	VOLTAGE	RRP
SE090009A0	24V	£11.93

FAQ

Do you have a question about our products or services? Answers to some common questions can be found below. If you have a question that is not answered here, please visit our website or call us for further information.

Do you offer a product guarantee?

We offer a 7-year guarantee across all kitchen and bedroom products. For full terms and conditions, please visit [sensiolighting.com/pages/sensio-guarantee](https://www.sensiolighting.com/pages/sensio-guarantee)

I'm a retail showroom or installer, how can I buy Sensio products?

Sensio products are available through our large network of authorised distribution partners supplying independent kitchen and bedroom showrooms, as well as professional installers. To find your nearest distributor, visit www.sensiolighting.com/pages/valued-partners, email our customer service team info@sensiolighting.com or call 01977 522020

I'm a homeowner or consumer, where can I buy Sensio products?

Our products are available through many different channels, such as; independent kitchen and bedroom showrooms, national retailers, online retailers, merchants and electrical wholesalers across the UK.

I'm a manufacturer, distributor, electrical wholesaler or builders merchant, how do I apply for a trade account?

If you operate as manufacturer, KBB distributor, electrical wholesaler or merchant and are interested in becoming a Sensio Stockist, please contact our team for further information on opening a trade account and accessing our product range. Email info@sensiolighting.com, call 01977 522020 or visit www.sensiolighting.com/pages/apply-for-an-account

Do you offer free of charge delivery?

We offer free delivery, usually within 2 days (Monday to Friday) to UK Mainland destinations for all orders over £250 (excluding VAT) placed before 2pm. We have a minimum order value per order of £150.00 (excluding VAT). A charge of £9.95 for carriage and handling will be added to all orders between £150 and £250 (excluding VAT) for deliveries within the UK mainland only. Channel Islands, Isle of Man, Scottish Highlands and Eire will incur a separate delivery charge, determined by the destination and weight of the total order. Please contact our team for further information.

Where can I find further technical details and installation information?

Head to the product pages of www.sensiolighting.com. At the bottom of each product page you will find technical specifications and installation guides.

Get In Touch

We hope you enjoy this Sensio brochure and are inspired to discover how lighting can transform the home. When you have finished with it, please pass it on or recycle it. Please note that the colours in this brochure are as accurate as the printing process will allow, and we recommend that you view a product prior to purchase. All prices are inclusive of 20% VAT and are Sensio's recommended retail prices. Prices and technical information are correct at the time of print (May 2026) and are subject to change throughout the course of the year without prior notification. Errors and omissions excepted. For more information on our terms and conditions, please visit [sensiolighting.com/pages/terms-and-conditions](https://www.sensiolighting.com/pages/terms-and-conditions)

Get the latest in lighting

Keep up to date with product news and information from us at Sensio.



/sensiolighting



@sensiolighting



/sensiolighting

Unit 7 Speedwell Road Whitwood Castleford
West Yorkshire
WF10 5PY United Kingdom

Tel: +44 (0)1977 522 020
Email: info@sensiolighting.com

Web: [sensiolighting.com](https://www.sensiolighting.com)



innovate. create. illuminate.™

sensio®

