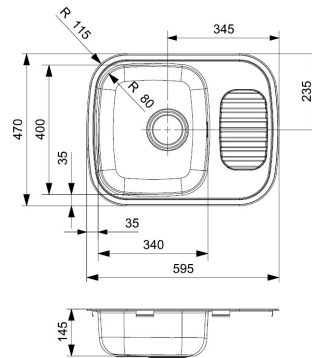


**REGIDRAIN R**



Detail A

Regidrain (R) OKG

Date: 18-11-2021

Tolerantie buitenmaat per zijde: ± 0.5mm  
 Toleranz Aussenmasse pro Seite: ± 0.5mm  
 Per side the outside tolerance measure: ± 0.5mm

**ADDITIONAL INFORMATION**

Article name	REGIDRAIN R	Guaranty	N/A
Reversible	No	Inner radius (mm)	80
Outer radius (mm)	115	Cabinet size (mm)	450
Diameter	N/A	Total size (mm)	595X470X145
Main bowl size (mm)	340X400X145	Strainer (Search name)	R1149
Material thickness (mm)	0,6	Depth (mm)	145
Mounting method	Inset	Material	Stainless Steel (304)
Color name	N/A	Shape	Square
Number of bowls	1		

Versiedatum: 08-04-2026



THE CROWN FOR  
YOUR KITCHEN

