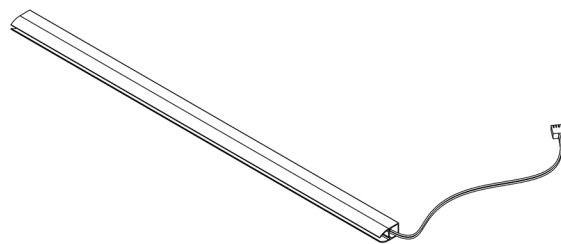


Edge Pro

Colour Changeable LED Glass Clip Light

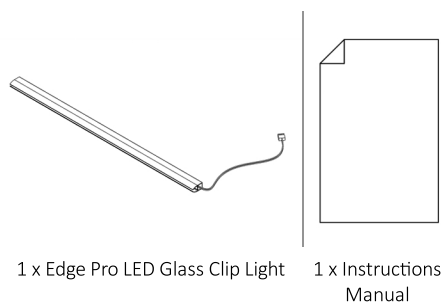


INSTALLATION INSTRUCTIONS

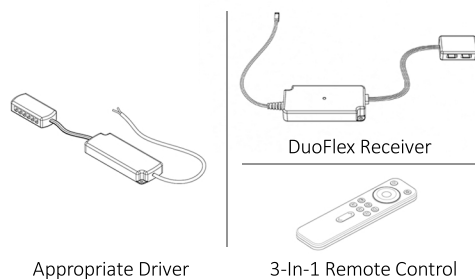
Product Code: SE97095P

IMPORTANT: Please read these instructions before commencing installation and retain for future reference.

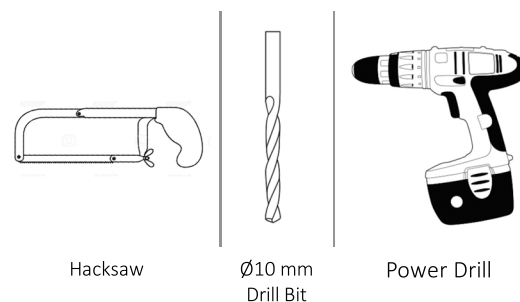
Components



Essential Parts (Not Included)



Tools Required



Important Safety Information

Please read these instructions carefully before attempting to install this product. It is advisable to keep these instructions in a safe place for future reference.

We recommend that you consult a qualified electrician. All electrical installation must be carried out in accordance with current IEE wiring regulations (BS7671).

These products must not be modified, if any modification are made, it may invalidate the warranty and may render the product unsafe. These LED lights operate low voltage (24V).

Do not wire the individual LED light fittings directly to the mains. This product is for indoor use only. Keep out of moisture and use only in dry rooms.

- If in doubt, installation must be carried out by a qualified electrician.
- Install on smooth flat surface(s) only.
- Do not exceed or stretch the cable length of each LED wire.
- This product is IP20 Rated.
- The wattage for each Edge Pro light is 2W. Make sure that the LED driver used with these fittings has an adequate max wattage.

Safety Instructions

1. Before commencing installation or maintenance, isolate the main electrical supply for the appropriate circuit at the fuse board.
2. This product is only suitable for connecting to a 240V 50Hz supply with the use of a Sensio 24V Driver.
3. Never exceed the total output of the LED driver.
4. The lights should be mounted onto a secure surface.
5. Suitable for furniture lighting.
6. When the lamp expires the fitting must be replaced
7. Class III safety extra low voltage (SELV).

Waste Electrical & Electronic Equipment (WEEE)

The symbol on the product, or on the document accompanying the product, the crossed out wheellie bin symbol, indicates that this product may not be treated as household waste. Instead it shall be handed over to the applicable collection point for the recycling of electrical and electronic waste.



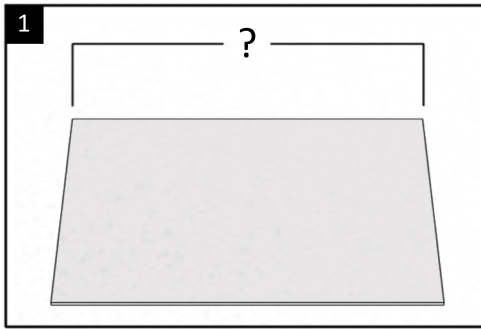
RoHS Compliant ✓ **CE**

Sensio House, Unit 7, Speedwell Road, Whitwood, Castleford, West Yorkshire, WF10 5PY

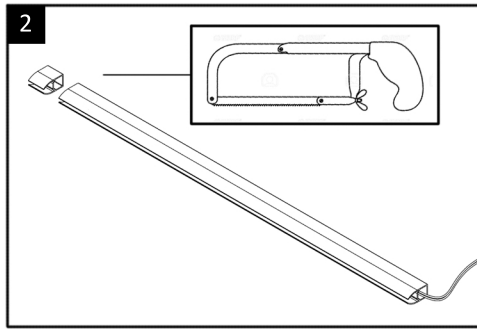
www.sensio.co.uk

Technical drawings for illustration purposes only, Sensio has the right to change any information without prior notice.

Installation

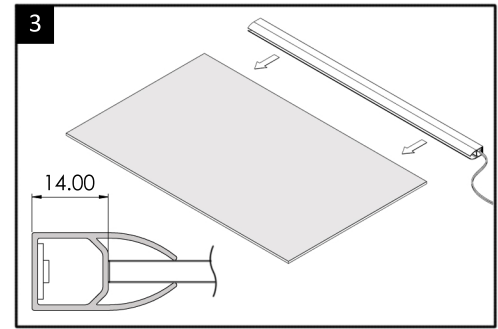


1 Measure the width of the glass shelf that the Edge Pro will connect to.



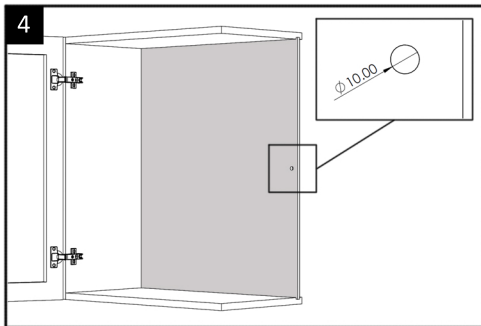
2 If required, cut the Edge Pro to the correct size using a hacksaw.

Note: Scissor Icons on the back face of the profile mark where the product is safe to cut.

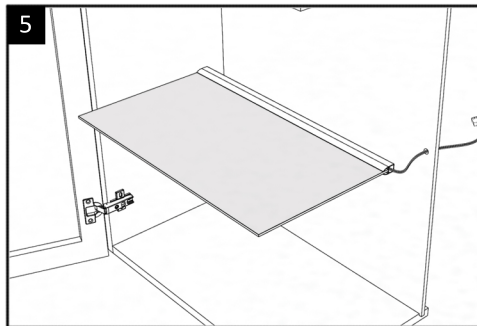


3 Clip the Edge Pro on to the back of the glass shelf.

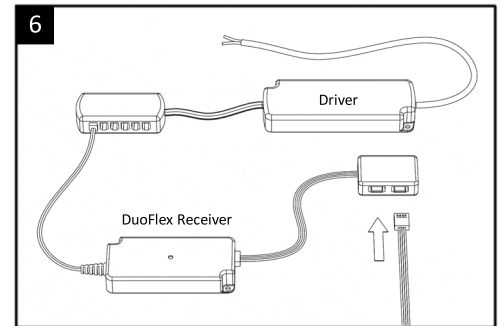
Note: This will add approximately 14mm to the depth of the shelf.



4 Drill a $\varnothing 10\text{mm}$ hole through the back of the cabinet where you want the cable to feed through.



5 Feed the cable through the hole and then attach the shelf to the cabinet.



6 Connect the cable to a DuoFlex Receiver and Sensio Driver. You will then be able to control the light with the 3-In-1 Remote Control.

Note: Please read the installation guides provided with the DuoFlex Receiver, Sensio Driver and 3-In-1 Remote Control, to ensure that all items are installed correctly.

Product Overview

The Edge Pro offers a superb light output and can transform a normal glass shelf into an illuminated shelf with the clip on U-shaped LED profile.

Using the Edge Pro in conjunction with the DuoFlex receiver and the 3-In-1 Remote Control brings the product to the forefront of modern technology, enabling the user to choose their desired colour temperature from a wide spectrum of 2700K-6500K.

The Edge Pro has also has an integrated diffuser, which results in no visible diodes. It fits 4-8mm panes of glass and can be cut to length every 84mm.

Maintenance & Care

- Ensure that the power is disconnected prior to cleaning.
- To keep the finish of this product, wipe over with soft cloth periodically.
- Do not use harsh chemical solvents, this may dis-colour or damage the finish.