

# SE40580 Instruction Manual

## Attention:



Read the instructions carefully before installation, non-observance of the instructions may cause damage to the fixture or harm to you. The installation must be carried out by a qualified electrician in accordance with local or national codes.

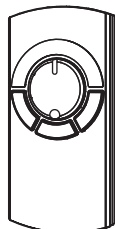
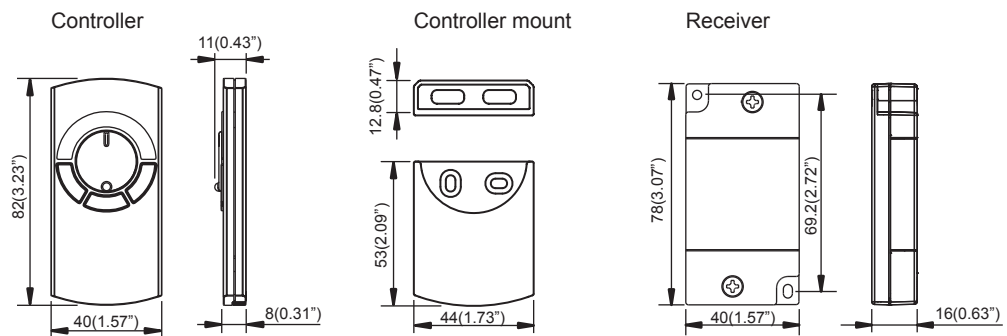
Cut off the power supply before installation and maintenance.

Regularly check the controller, receiver, the cord and other accessories.  
If any part is damaged, the product should not be used.

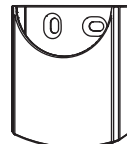
Keep this instruction manual handy for future use.

The product is only for indoor usage and is not IP Rated.

Dimension in mm(inch)



1x



1x



2x



1x

### Features:

Working frequency: 2.4GHz

Power: CR2030 (3V) button lithium battery

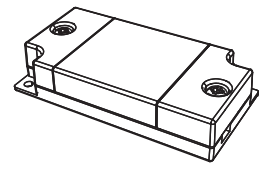
Remote range: ≤15m(590.55")

Ambient temperature: 0°C-35°C

Apply: single color LED dimmer controller

Load: DC 12V or 24V LED

Operation Voltage	Max. Load Power
12VDC	15W
24VDC	30W

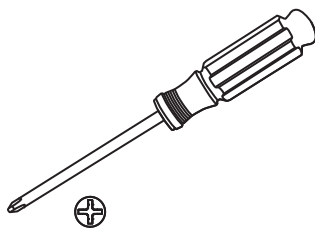


1x

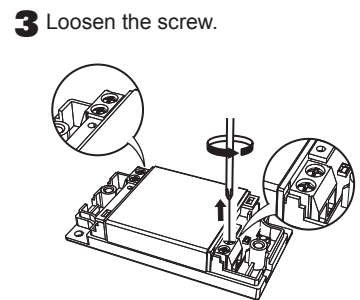
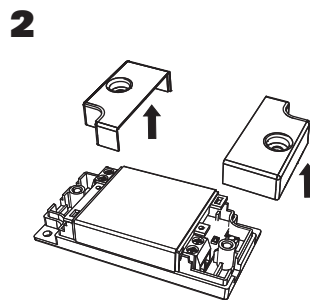
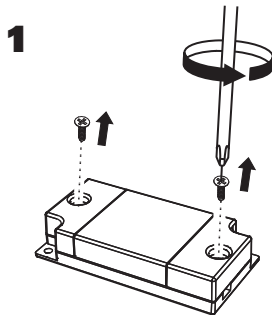
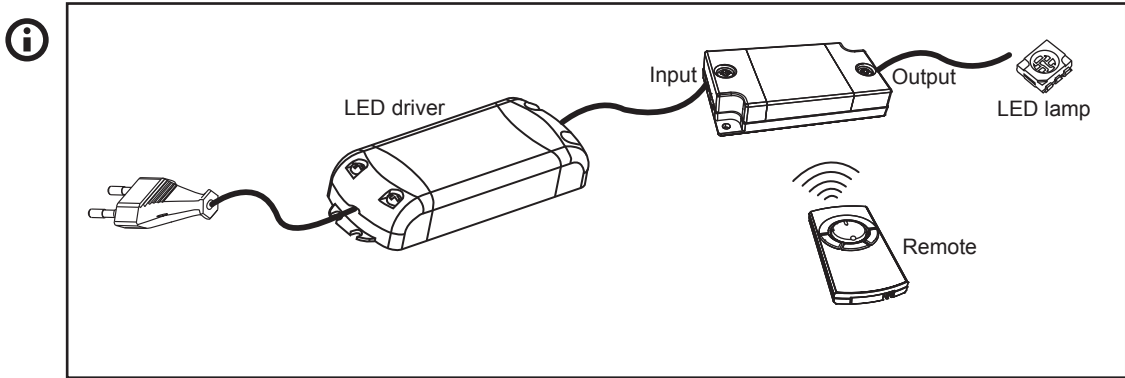


2x

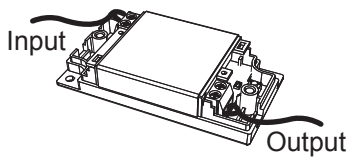
## Tools



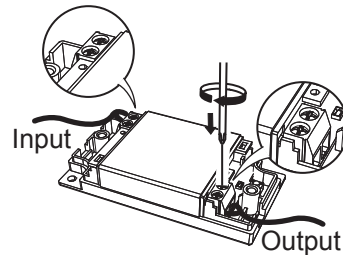
Screwdriver



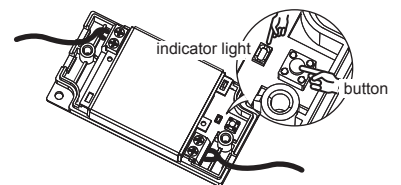
**4** Insert the input and output wires.



**5** Tighten the screws.

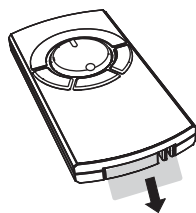


**6** Connect the power, press the button until the indicator light comes on.

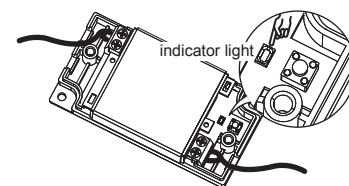


**!** Warning: Pay attention to the polarity of input and output cables, wrong polarity may damage the device.

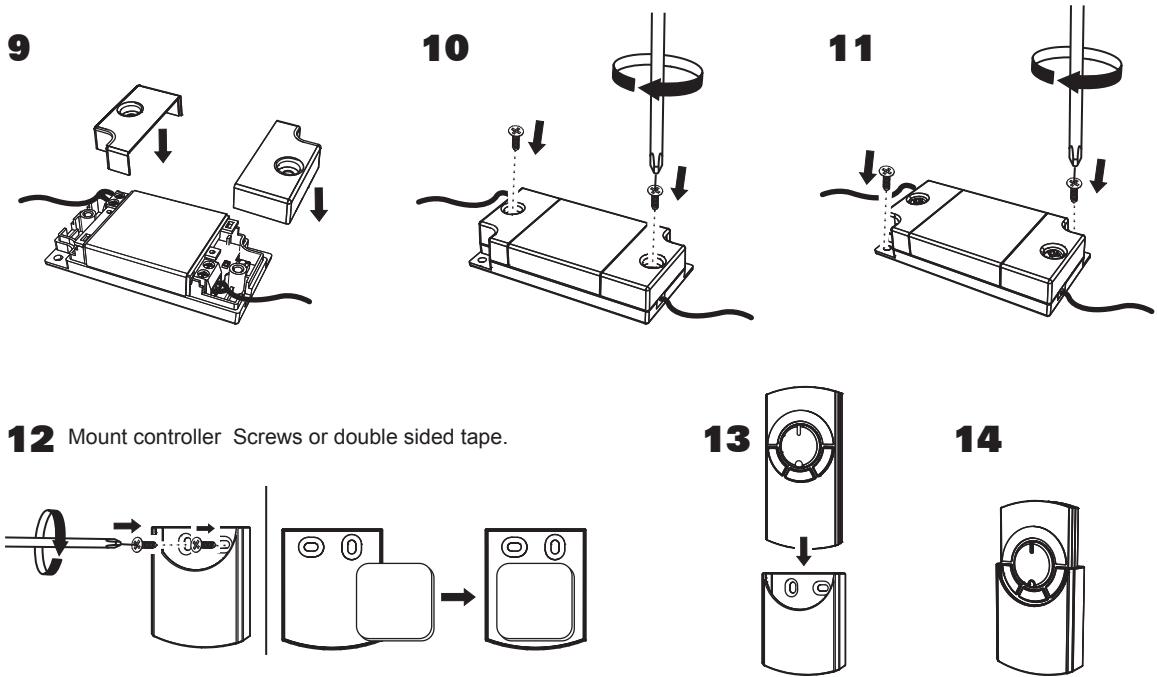
**7** Wait 10 seconds, remove the plastic covering of controller battery.





**8** Upon connection, the indicator light should turn off.

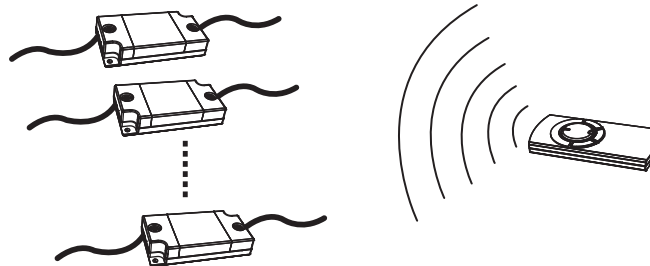



**!** If the light does not go off, remove the controller battery and try again.

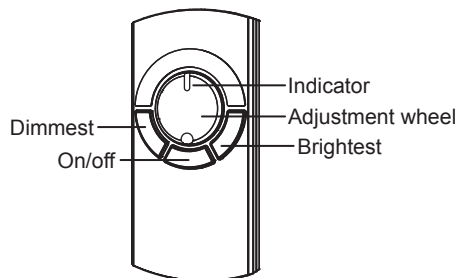


 In case of controller lose or damage, repeat steps 6-8 to connect a new controller.

-  1. Each receiver has unique address and will only work with the remote controller of the same address. One controller can be connected to several receivers.  
2. To connect multiple receivers, repeat above steps.



 **Function**



Adjustment wheel: when adjusting the brightness with the wheel, the arrow will indicate brightness.  
Brightest: pressing this button will set light at brightest level.  
Dimmest: pressing this button will set light at dimmest level.  
On/off: press once to turn on, again to turn off.  
Memory function: upon turn on, light will return to last setting prior to shut off.