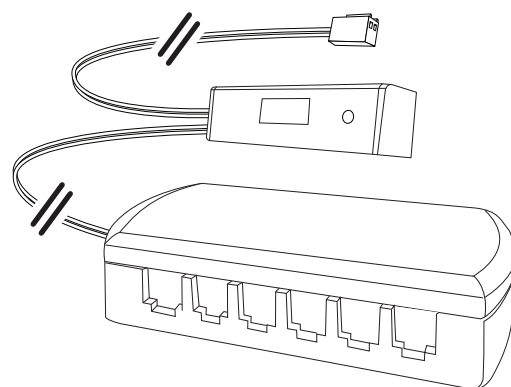


HD LED ON/OFF DIMMING SWITCH

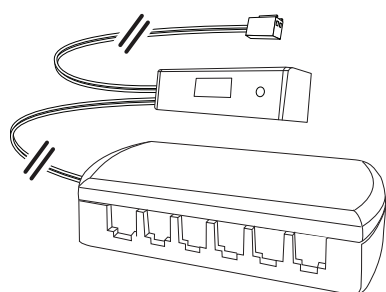


INSTALLATION INSTRUCTIONS

CODE: SE40520

IMPORTANT: please read these instructions before commencing installation and retain for future reference.

Components



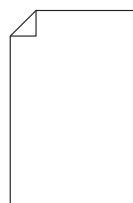
HD LED Dimming Switch
with distributor block



1 X Fixing
Plate



2 x Screws



1 x Fitting Instructions



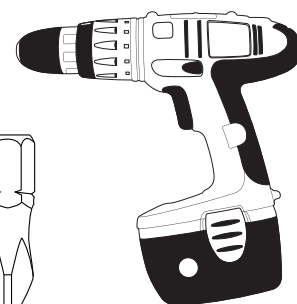
Pencil



10mm
Drill Bit



PZ1 Screw Bit



Power Drill

Tools required

Important safety information

Please read these instructions carefully before attempting to install this product. It is advisable to keep these instructions in a safe place for further reference.

We recommend that you consult a qualified electrician. All electrical installations must be carried out in accordance with current IEE wiring regulations (BS7671).

These products must not be modified, if any modifications are made, it may invalidate the warranty and may render the product unsafe.

Do not wire this product directly to the mains. This product operates with both 12V products and 24V product. This product is for indoor use only. Keep out of moisture and use only in dry rooms.

- If in doubt installation must be carried out by a qualified electrician.
- Install on smooth flat surface(s) only.
- When the input is 12VDC the maximum load is 15W.
- When the input is 24VDC the maximum load is 30W.

Safety instructions

1. Before commencing installation or maintenance, isolate the main electrical supply for the appropriate circuit at the fuse board.
2. This product requires either a 12V or 24V LED driver.
3. The fitting should be mounted onto a secure surface.
4. Position this fitting where it will not be exposed to steam or splashes etc.
5. Suitable for furniture lighting.
6. Class III safety extra low voltage (SELV).

Waste Electrical & Electronic Equipment (WEEE)

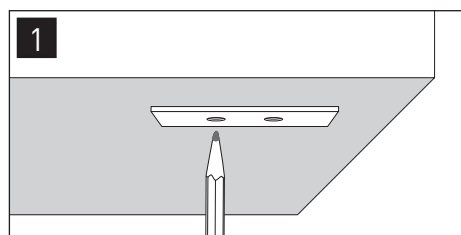
The Symbol on the product, or on the document accompanying the product, the crossed out wheelee bin symbol, indicated that this product may not be treated as household waste. Instead it shall be handed over to the applicable collection point for the recycling of electrical and electronic waste.



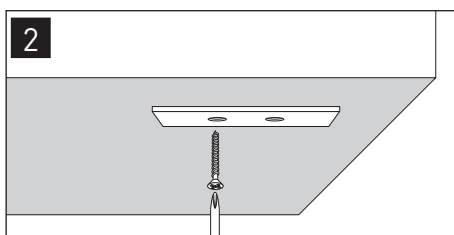
RoHS ✓
Compliant



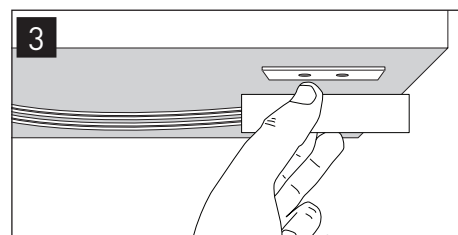
Installation



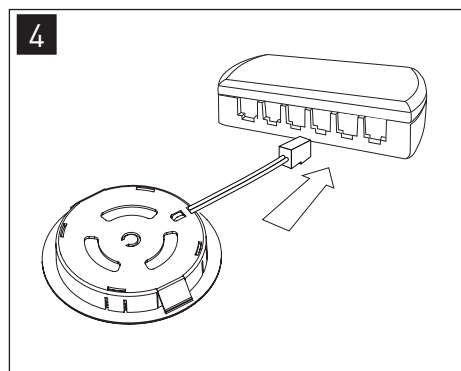
1 Mark holes for securing clip.



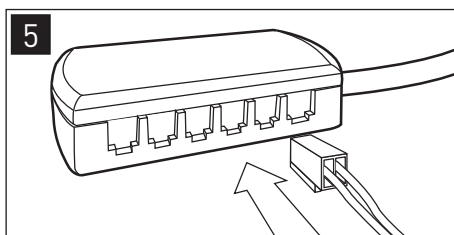
2 Screw securing clip firmly into underside of cabinet.



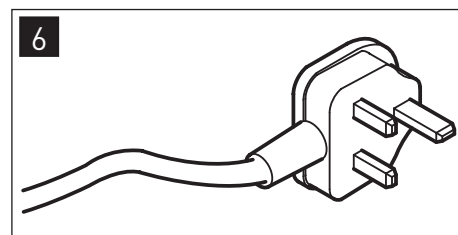
3 Clip SE40520 dimming unit into securing clip.



4 The lights are to be plugged into the distributor block on the dimming switch. The distributor box is placed on the top of the cabinet.

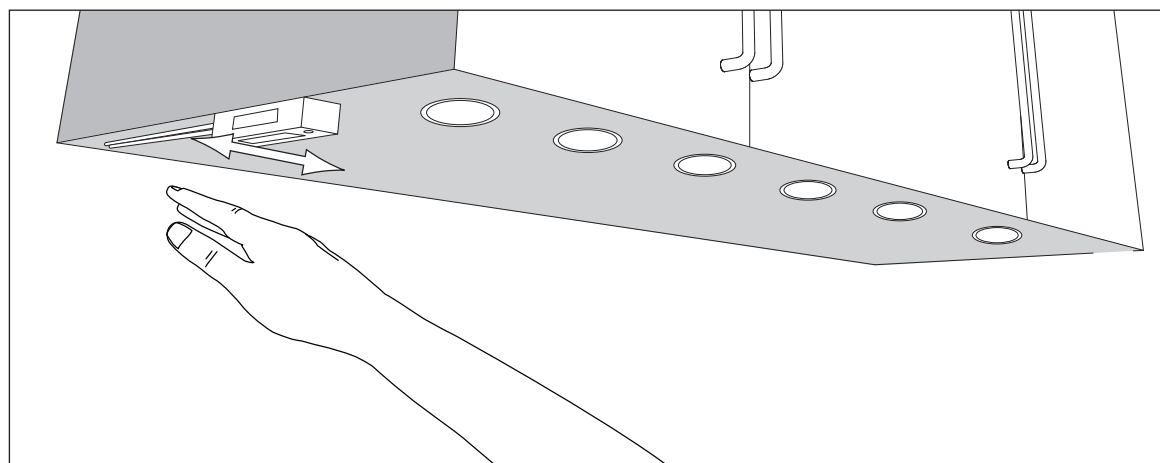


5 Plug the white connector on the end of the cable into the 12V/24V LED driver distributor block. Beware not to exceed the wattage of the LED driver, the max wattage will be displayed on the 12V/24V LED driver and on the lamp fitting which also displays the wattage requirement.



6 Finally wire the LED driver to 240V mains supply or 13A plug top.

Operation



The SE40520 sensor has different functions.

Under cabinet - The lights are activated by a hand swipe across the sensor and deactivated the same way. - In this mode, hold your hand in front of the sensor the dim the lights. The longer you hold the more the lights dim.

In cabinet - The lights are activated by the opening of a cabinet door and deactivated once the door closes.

To switch between different functions press and hold the small button on the front of the sensor for 3 seconds.

Maintenance & Care

- Ensure that the power is disconnected prior to cleaning.
- To keep the finish of this product, wipe over with soft cloth periodically.
- Do not use harsh chemical solvents, it may dis-colour or damage the finish.