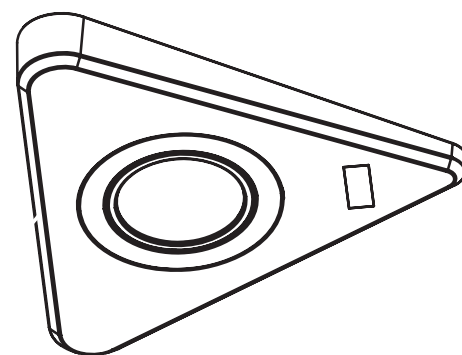


NOVA - HD LED UNDER CABINET TRIANGLE LIGHT

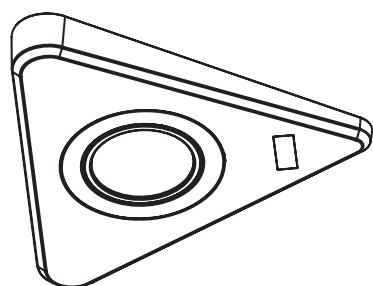


INSTALLATION INSTRUCTIONS

CODE: SE9001HD

IMPORTANT: please read these instructions before commencing installation and retain for future reference.

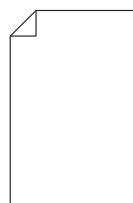
Components



1 x SE9001HD
HD LED Under Cabinet Triangle Light



2 x Screws



1 x Fitting Instructions



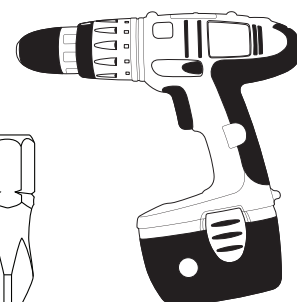
Pencil



10mm
Drill Bit



PZ1 Screw Bit



Power Drill

Tools required

Important safety information

Please read these instructions carefully before attempting to install this product. It is advisable to keep these instructions in a safe place for further reference.

We recommend that you consult a qualified electrician. All electrical installations must be carried out in accordance with current IEE wiring regulations (BS7671).

These products must not be modified, if any modifications are made, it may invalidate the warranty and may render the product unsafe. These LED lights operate low voltage (24V).

Do not wire the individual LED light fittings directly to the mains. This product is for indoor use only. Keep out of moisture and use only in dry rooms.

- If in doubt installation must be carried out by a qualified electrician.
- Install on smooth flat surface(s) only.
- The Wattage of this product is 1.65W. Make sure that the LED driver used with these fittings has an adequate max wattage.
- We recommend using the SE40555 15W 24V LED Driver with this fitting. You will be able to run a maximum of 6 fittings per driver. Alternatively, use the SE40556 30W 24V LED Driver. A maximum of 12 fittings can be run from this driver.

Safety instructions

1. Before commencing installation or maintenance, isolate the main electrical supply for the appropriate circuit at the fuse board.
2. This product requires a 24V LED driver.
3. The light should be mounted onto a secure surface.
4. Position lights where they will not be exposed to steam or splashes etc.
5. Suitable for furniture lighting.
6. When the lamp expires the fitting must be replaced.
7. Class III safety extra low voltage (SELV).

Waste Electrical & Electronic Equipment (WEEE)

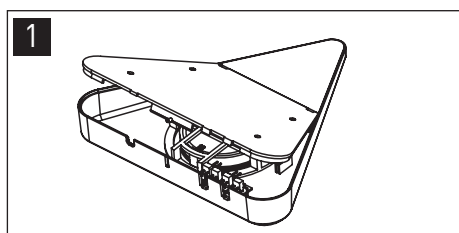
The Symbol on the product, or on the document accompanying the product, the crossed out wheele bin symbol, indicated that this product may not be treated as household waste. Instead it shall be handed over to the applicable collection point for the recycling of electrical and electronic waste.



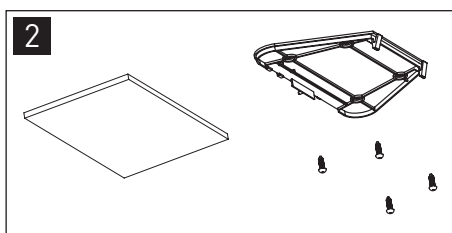
RoHS ✓
Compliant



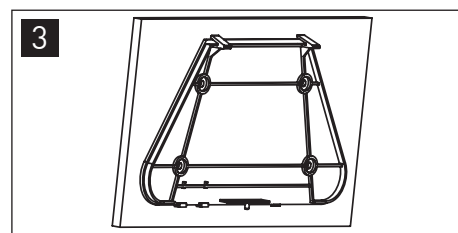
Installation



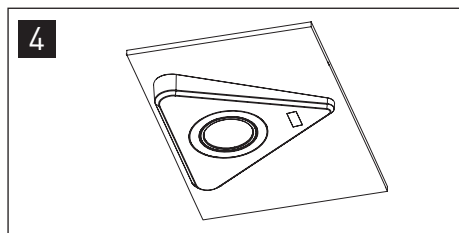
1 Remove the back piece of the fitting.



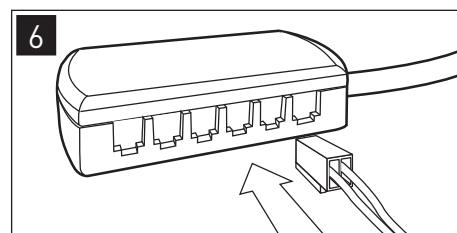
2 Mark out the position for the SE9001HD on the underside of the cabinet.



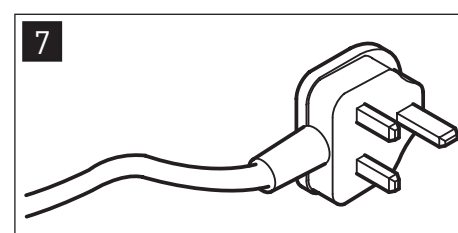
3 Using the screws provided, secure the back piece to the underside of the cabinet/wall unit



4 Re-clip the light fitting to the back piece.

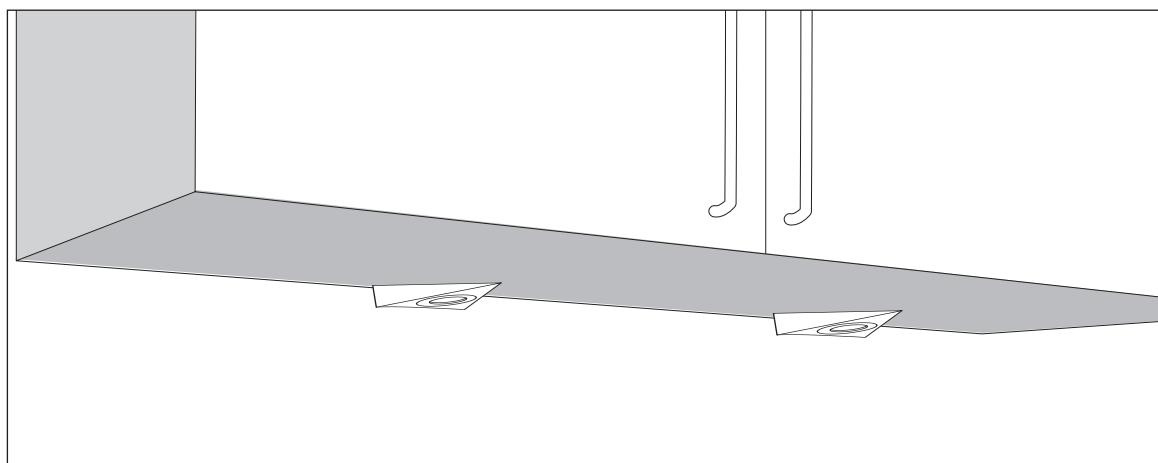


6 Plug the white connector on the end of the cable into the 24V LED driver distributor block. Beware not to exceed the wattage of the LED driver, the max wattage will be displayed on the 24V LED driver and on the SE9001HD fitting it will display the wattage requirement.



7 Finally wire the LED driver to 240V mains supply or 13A plug top.

Operation



The SE9001HD HD LED under cabinet triangle lights are to be individually connected back to the distribution block ports on the driver (unless connected to the SE9001HDS).

Maintenance & Care

- Ensure that the power is disconnected prior to cleaning.
- To keep the finish of this product, wipe over with soft cloth periodically.
- Do not use harsh chemical solvents, it may dis-colour or damage the finish.