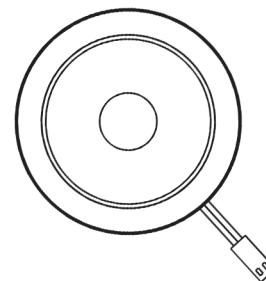


INSTALLATION  
INSTRUCTIONS

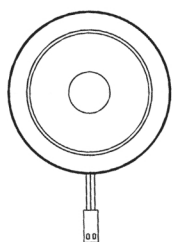
1 x VENUS  
COB LED RECESS  
OR SURFACE LIGHT



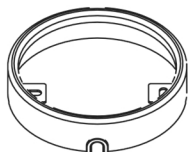
**CODE: SE21290C0/C2/C3 & SE21290W0/W2/W3**

**IMPORTANT:** Please read these instructions before commencing installation and retain for future reference.

**Components**



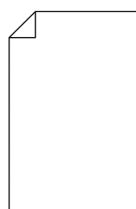
1 x LED Light



1 x Mounting Ring



2 x Screws



1 x instructions

**Tools required**



Pencil



Screwdriver



Φ60mm  
Hole opener



Ø8mm

Power Drill

**Important Safety Information**

Please read these instructions carefully before attempting to install this product. It is advisable to keep these instructions in a safe place for future reference.

We recommend that you consult a qualified electrician. All electrical installation must be carried out in accordance with current IEE wiring regulations (BS7671).

These products must not be modified, if any modification are made, it may invalidate the warranty and may render the product unsafe. These LED lights operate low voltage (24V).

Do not wire the individual LED light fittings directly to the mains. This product should be used indoors only.

- If in doubt installation must be carried out by a qualified electrician.
- Install on smooth flat surface(s) only.
- Do not exceed or stretch the cable length of each LED wire.

Rated input	Power	Hole dimensions (d)	ta
24VDC	3W	Ø60±1mm(Ø2-3/8"±1/16")	-20°C~35°C (-4~95 °F)

**Safety Instructions**

1. Before commencing installation or maintenance, isolate the main electrical supply for the appropriate circuit at the fuse board.
2. This product is only suitable for connecting to a 220-240VDC 50Hz supply with use of an appropriate driver.
3. The lights should be mounted onto a secure surface.
4. Position the lights where they will not be exposed to steam or splashes
5. Suitable for furniture lighting.
5. When the lamp expires the fitting must be replaced

**Waste Electrical & Electronic Equipment (WEEE)**

The symbol on the product, or on the document accompanying the product, the crossed out wheellie bin symbol, indicates that this product may not be treated as household waste. Instead it shall be handed over to the applicable collection point for the recycling of electrical and electronic waste.

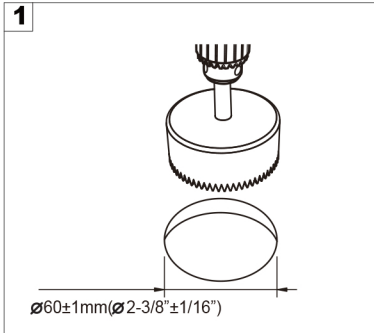


**RoHS**  
Compliant ✓

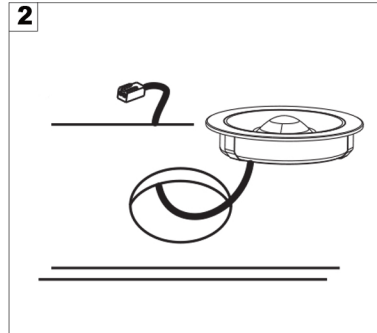


## Installation

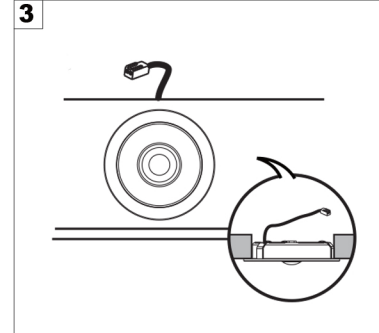
### Recessing



For each light fitting, measure and mark where your desired hole cut should be. Drill the 60mm diameter hole using hole opener.

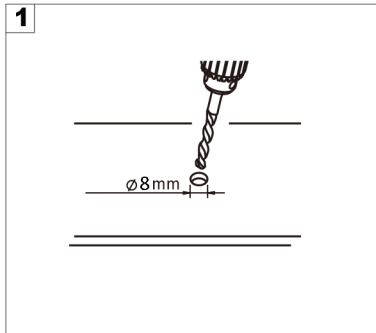


Carefully push the light fitting into the hole cut until secure.

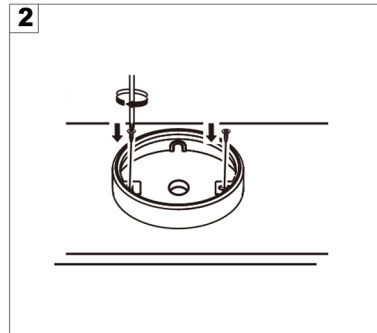


The clips on the fitting will hold the light in place. Then please see step 5 below.

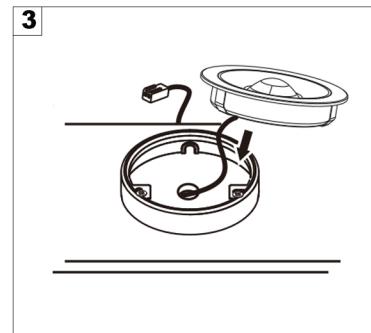
### Surface Mounting



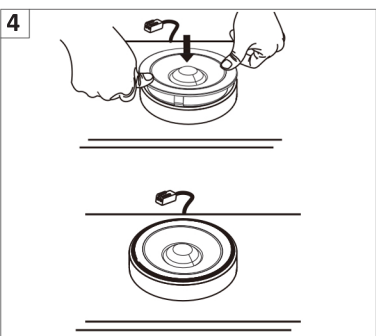
Measure and mark the desired positioning for your light fittings. If you wish to completely hide the wire then create a small hole in the mounting board for the wire to feed through.



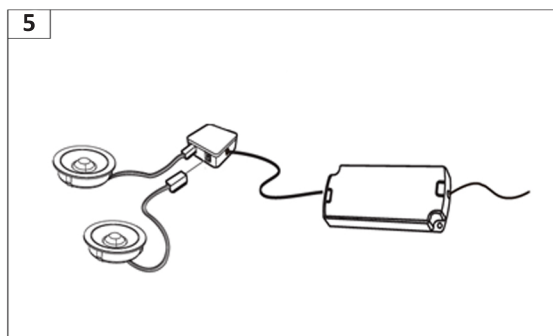
Then, using the screws, fix the mounting bracket to the mounting surface as shown above.



Ensure the wire for the fitting is fed through the small hole.



Carefully push the light fitting into the mounting bracket until it clips into place.



Then connect the fitting cable(s) individually to the Driver Distribution Block. Finally, connect to the mains supply and turn the power supply back on.

## Maintenance & Care

- Ensure that the power is disconnected prior to cleaning.
- To keep the finish of this product, wipe over with a soft cloth periodically.
- Do not use harsh chemical solvents, this may dis-colour or damage the finish.
- Clean the socket with a damp cloth and mild detergent, dry immediately.