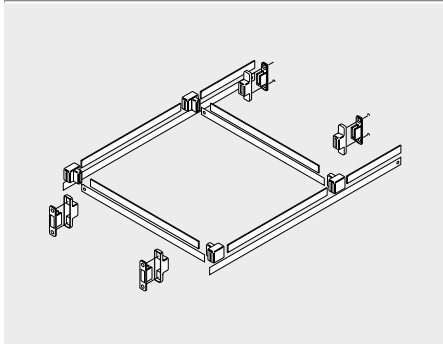
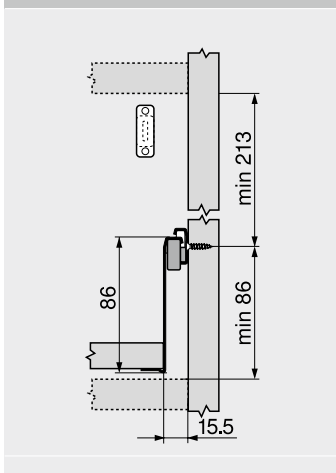
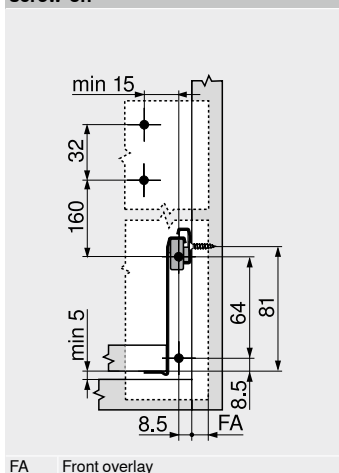


**METAFILE – file drawer**


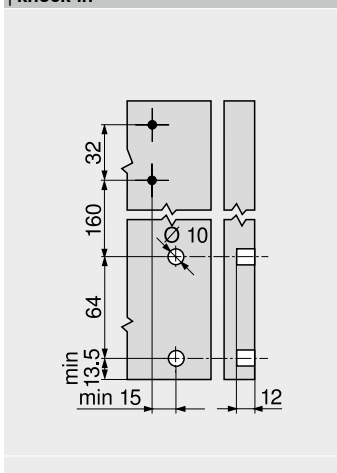
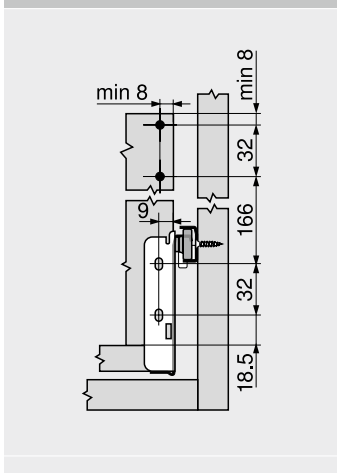
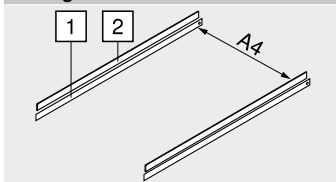
- For tilt adjustment, high fronted pull-out, height B with gallery
- Nominal length NL 450–550 mm
- Cabinet width KB 275–600 mm

**Order information**

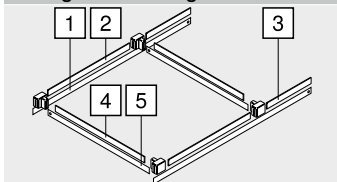
Colour	Material	Part no.
RAL 9001 cream	Nylon/steel	ZRM.5500

**Planning**
**Space requirement in cabinet**

**Installation dimensions – front – screw-on**


FA Front overlay

**Drilling distances – front – EXPANDO | knock-in**

**Installation dimensions – back**

**Cutting – DIN-A4 across**

**Internal cabinet width LW min. 376 mm**

- 1 Nominal length NL – 28 mm
- 2 Nominal length NL – 53 mm

**Cutting – DIN-A4 lengthwise**

**Nominal length NL min. 500 mm**

- 1 Nominal length NL – 28 mm
- 2 305 mm
- 3 Nominal length NL – 406 mm
- 4 Internal cabinet width LW – 82 mm
- 5 Internal cabinet width LW – 59 mm

**Reference pages**

Overview	391	More technical details	698
High fronted pull-out – gallery – B	402		
E-SERVICES and assembly devices	590		