

# Box systems

## ▶ TIP-ON for TANDEMBOX



### Reliable handle-less opening

Handle-less fronts are playing a greater and greater role in modern furniture design. With TIP-ON for TANDEMBOX – the mechanical opening support system from Blum – handle-less drawers and pull-outs open with just a touch. With TIP-ON for TANDEMBOX – the mechanical opening support system from Blum – handle-less drawers and pull-outs open with just a touch. This enables your customers to experience practical opening comfort in any living area.

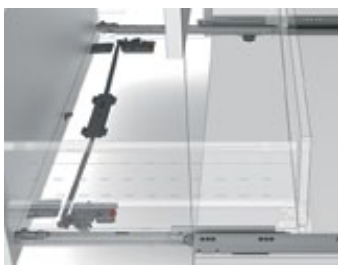
### Small programme, wide range of applications

TIP-ON can be combined with all TANDEMBOX programme lines and can be used for all standard applications: From standard cabinets to special solutions such as the Blum sink drawers.



A light touch on the front at any location is enough and the pull-out opens effortlessly

To close the pull-out, it can be lightly pressed shut or closed with a light push



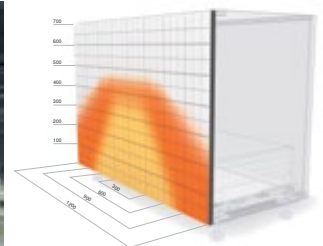
TIP-ON consists of a special cabinet profile with a pre-mounted latch and a locking mechanism unit



The depth adjustment can be carried out tool-free and on an inserted drawer



The optional synchronisation feature ensures secure opening and closing even for higher & wider fronts



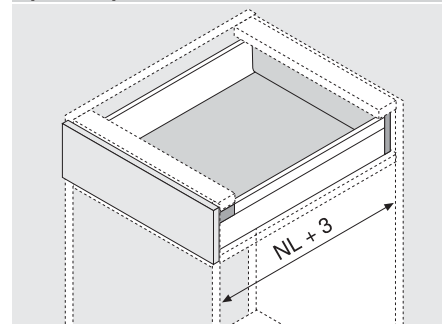


## TIP-ON



- Concealed, guided full extension
- Integrated **TIP-ON** function for handle-less fronts
- Dyn. load bearing 20, 30 or 50 kg
- Easy, tool-free depth adjustment without removing the pull-out
- Synchronisation optional for cabinet width KB 550 mm and higher
- Runner system compatible with all TANDEMBOX programme lines

### Space requirement



NL Nominal length

### Order information

1	Cabinet profiles, latch and locking mechanism units left/right			
	Nominal length NL	20 kg	30 kg	50 kg
	270 mm	559.2701T		
	300 mm	559.3001T		
	350 mm		559.3501T	
	400 mm		559.4001T	
	450 mm			559.4501T
	500 mm			559.5001T
	550 mm			559.5501T
	600 mm			559.6001T
	650 mm			559.6501T

### Composed of:

	<b>1a Cabinet profiles left/right</b>	
	Incl. latch, pre-mounted	1 x
	<b>1b Locking mechanism unit left/right</b>	
	EXPANDO fixing	1 x

### a Accessories

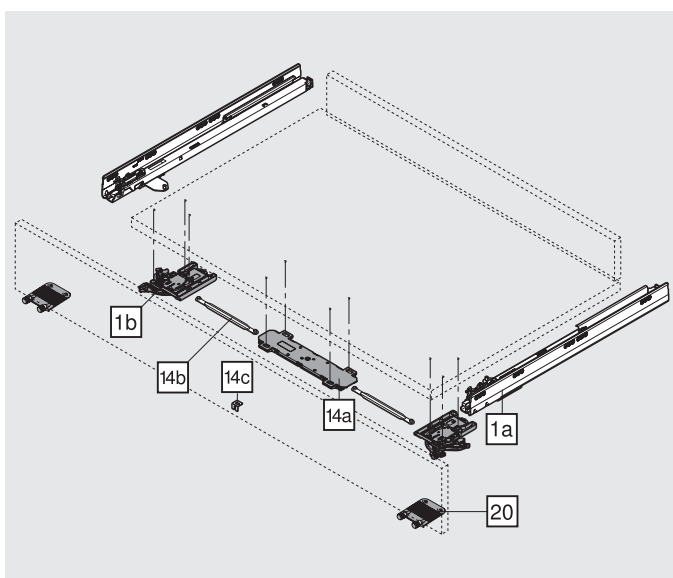
14	Synchronisation (for cabinet width KB 550 mm and higher)	
	Inner cabinet width LW	Part no.
	508 - 570 mm	Z55S1350E
	558 - 620 mm	Z55S1600E
	608 - 670 mm	Z55S1850E
	658 - 720 mm	Z55S2100E
	708 - 770 mm	Z55S2350E
	758 - 820 mm	Z55S2600E
	808 - 870 mm	Z55S2850E
	858 - 920 mm	Z55S3100E
	908 - 970 mm	Z55S3350E
	958 - 1020 mm	Z55S3600E
	1008 - 1070 mm	Z55S3850E
	1058 - 1120 mm	Z55S4100E
	1108 - 1170 mm	Z55S4350E

### Composed of:

	<b>14a Synchronisation unit</b>	
	EXPANDO fixing	1 x
	<b>14b Synchronisation rod</b>	
		1 x
	<b>L-bracket</b>	
	Zinc plated	1 x

### 20 Front stabilisation

	Material	Colour	Part no.
	Nylon	RAL 7037 light grey	Z96.10E1



### Page instructions

TIP-ON for TANDEMBOX	406
Overview – TANDEMBOX intivo	223
Overview – TANDEMBOX antaro	263
Overview – TANDEMBOX plus	315
Planning	408
Assembly, removal and adjustment	410
Overview – assembly devices	605
More technical details	684

# Box systems

- ▶ TIP-ON for TANDEMBOX
- ▶▶ Applications



## TIP-ON

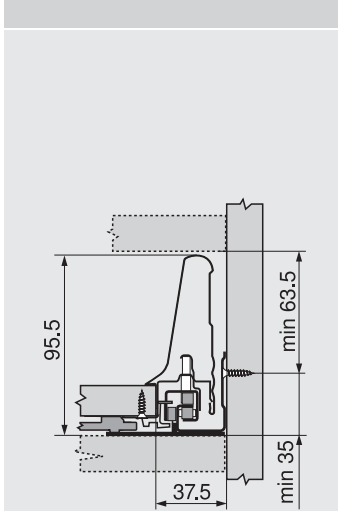
### Planning

#### L-bracket – 297.0500

Space requirement with L-bracket centre mounted.

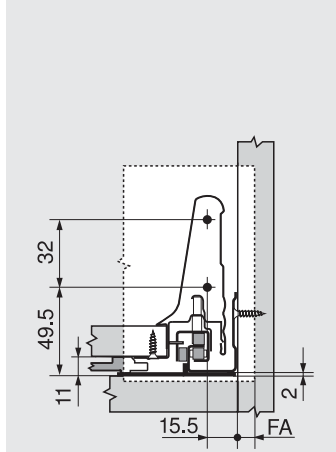
**Comment:** We recommend a trial assembly to determine the individual space requirement under the cabinet profile.

#### Space requirement in cabinet



#### Installation dimensions for screw-on front

FA Front overlay

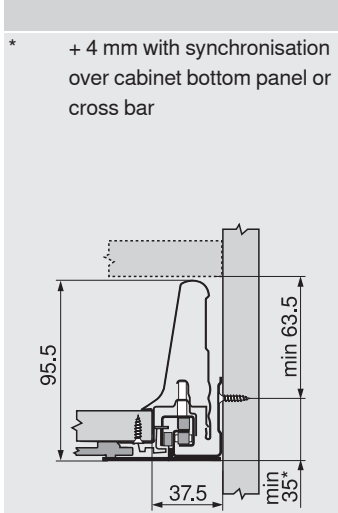


#### Front stabilisation – Z96.10E1

Space requirement with front stabilisation.

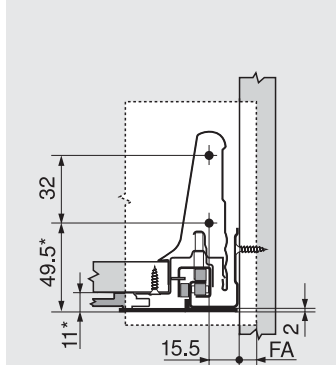
**Comment:** We recommend a trial assembly to determine the individual space requirement under the cabinet profile.

#### Space requirement in cabinet

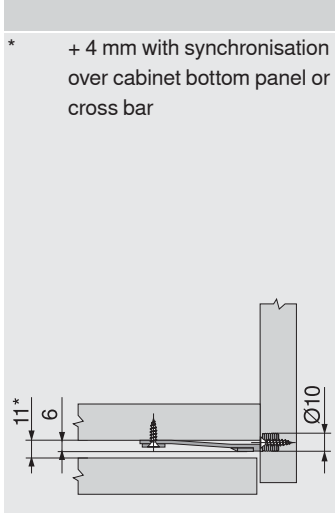


#### Installation dimensions for screw-on front

FA Front overlay  
\* + 4 mm with synchronisation over cabinet bottom panel or cross bar

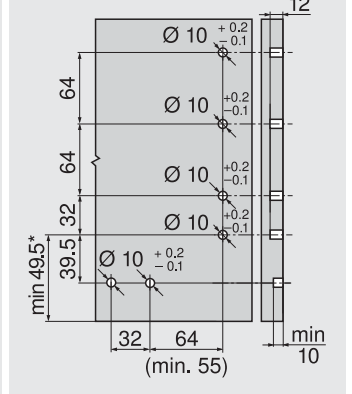


#### Space requirement in cabinet



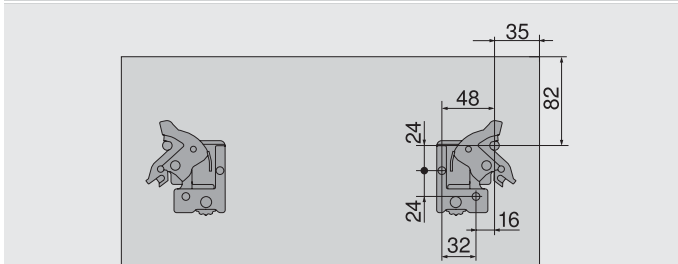
#### Front drilling dimensions

\* + 4 mm with synchronisation over cabinet bottom panel or cross bar



### Drilling position

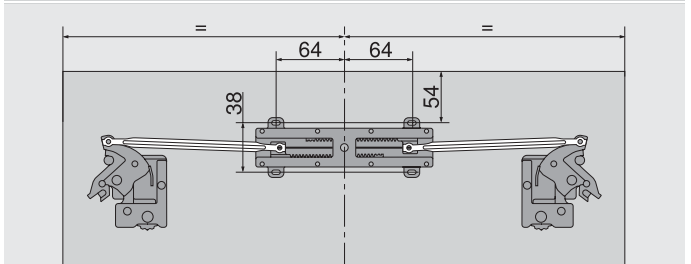
#### Locking mechanism unit



Ø 5 x 10 mm

We recommend that you use the drilling template for TIP-ON for TANDEMBOX (65.5050)

#### Synchronisation unit



Ø 5 x 10 mm

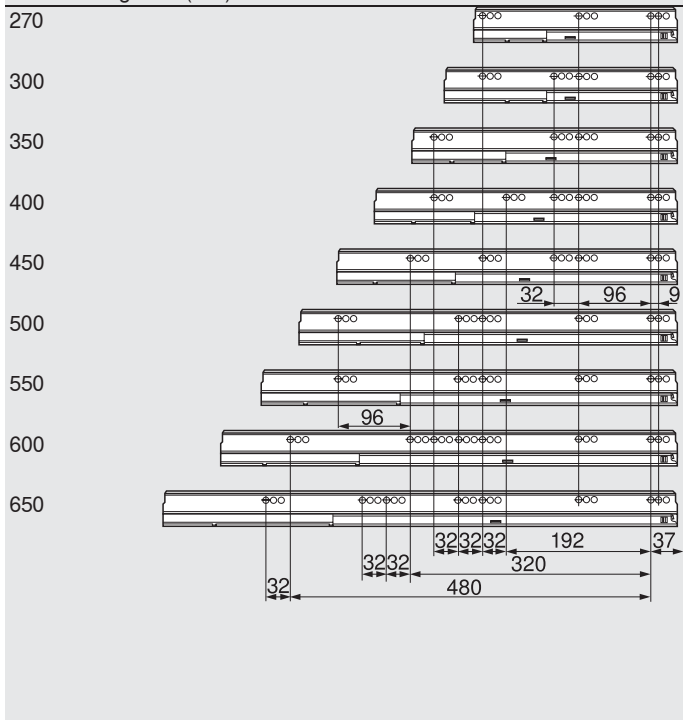


TIP-ON

Planning

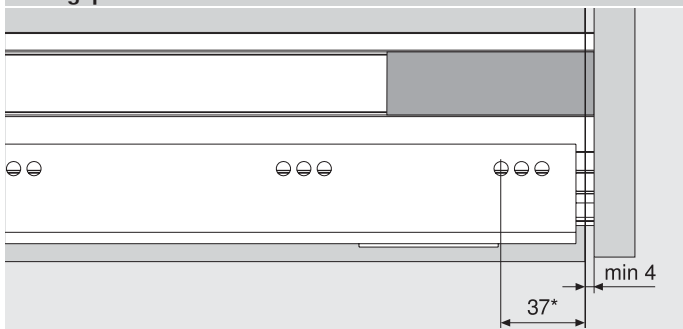
Cabinet profile screw positions

Nominal length NL (mm)



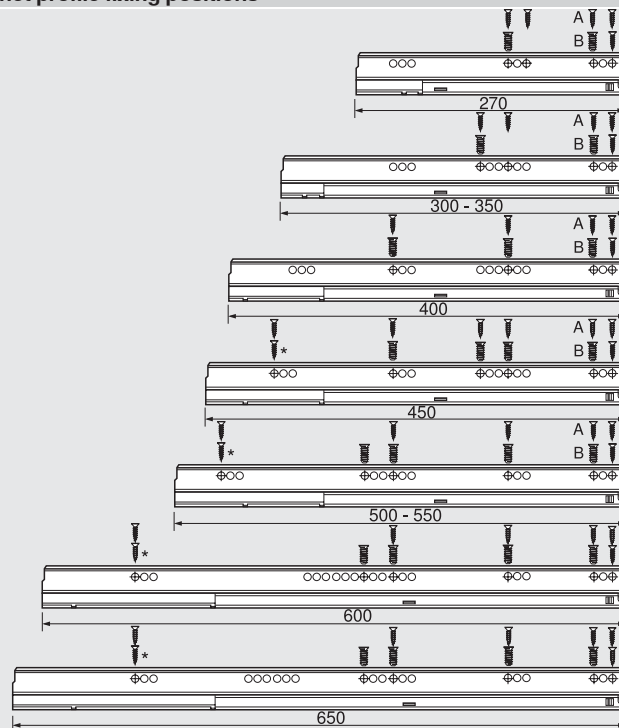
Min. internal cabinet depth = nominal length NL + 3 mm

Front gap



\* Min. 43 mm for inner drawer/inner pull-out

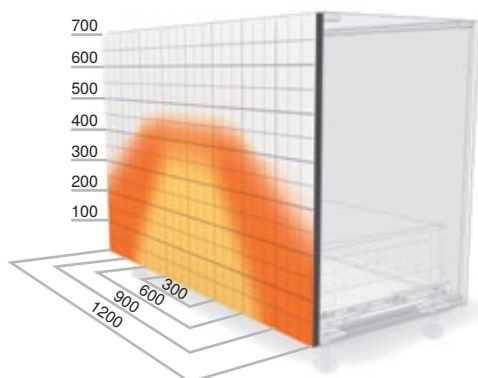
Cabinet profile fixing positions



Fixing onto cabinet

- A Chipboard screws Ø 4 x 15 mm
- B Chipboard screws, part no. 661.1450.HG
- \* Optional

Trigger range



The optional synchronisation feature ensures secure opening even for higher & wider fronts. We also recommend that you use front stabilisation.

Trigger range with front stabilisation for front gaps 4 mm

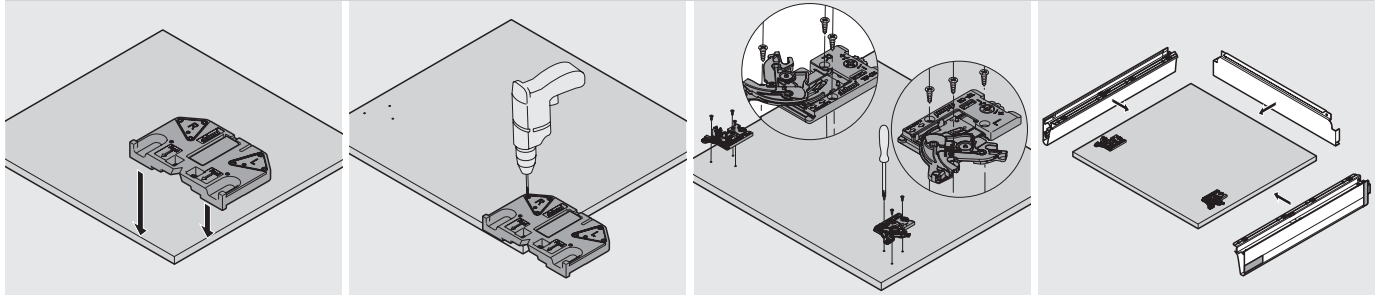
- Without synchronisation
- With synchronisation

# Box systems



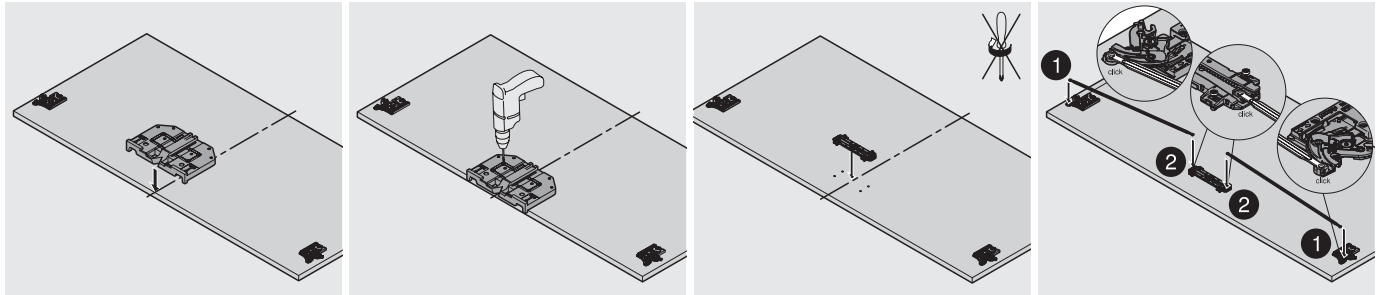
- ▶ TIP-ON for TANDEMBOX
- ▶▶ Assembly, removal and adjustment

## Locking mechanism unit



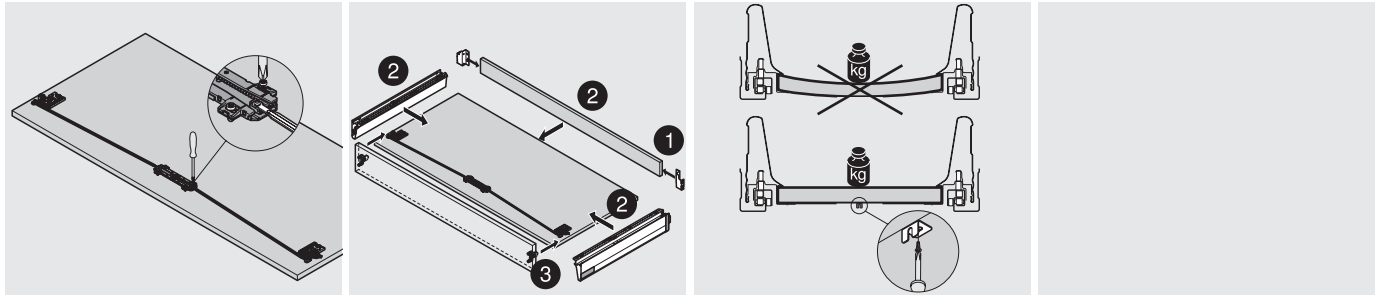
Unattached drawer base

## Synchronisation



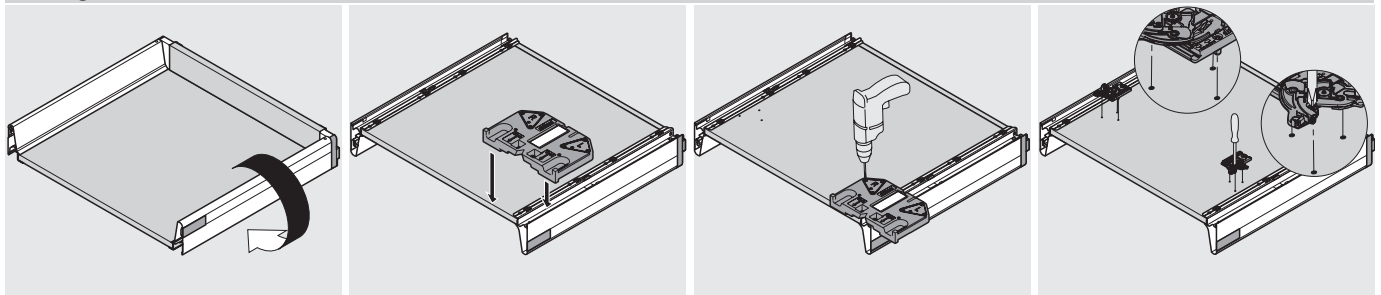
Unattached drawer base

## Synchronisation



Unattached drawer base

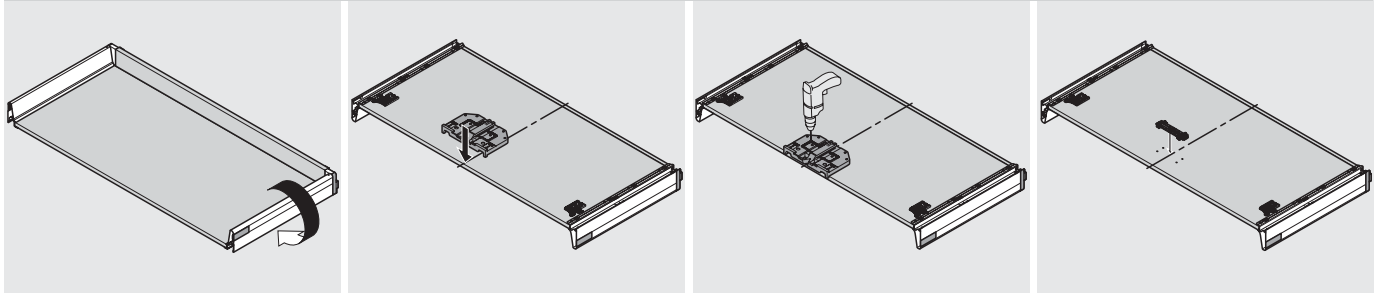
## Locking mechanism unit



3-sided, pre-mounted drawer base

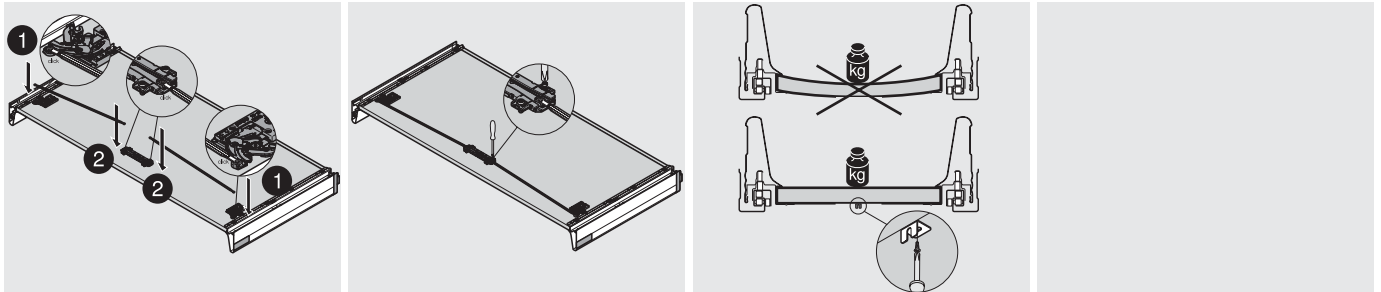


Synchronisation



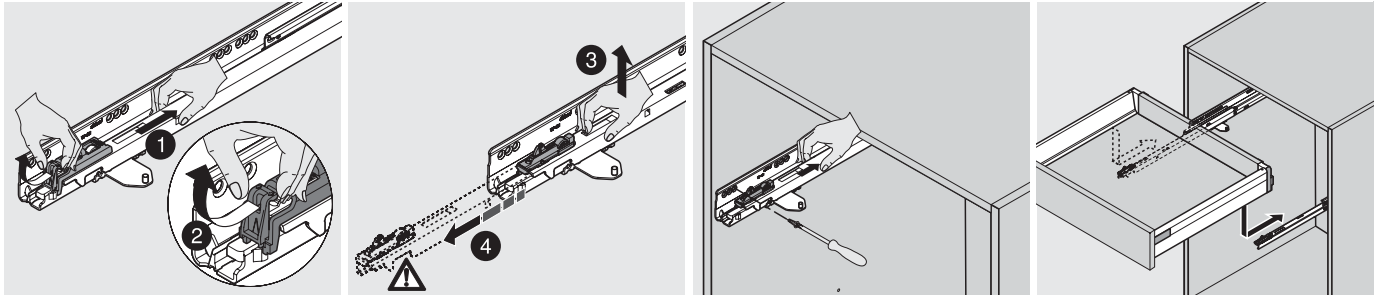
3-sided, pre-mounted drawer base

Synchronisation



3-sided, pre-mounted drawer base

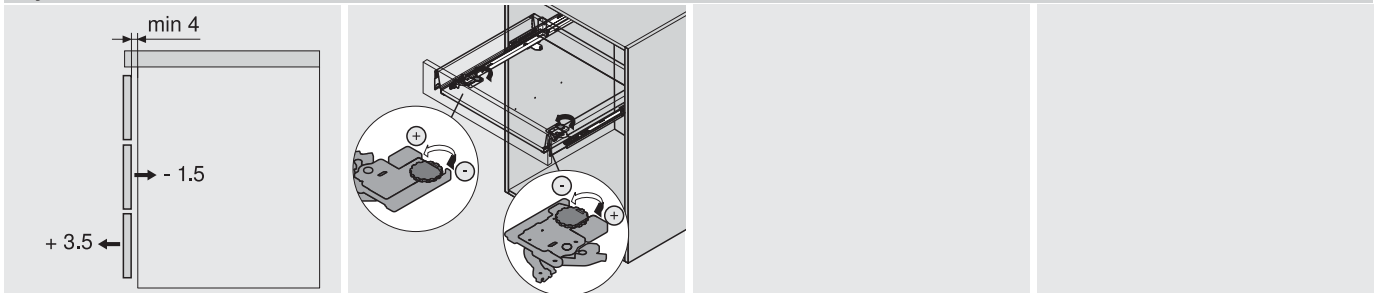
Cabinet profile



Removing the transportation lock

Assembly

Adjustment



Front gap