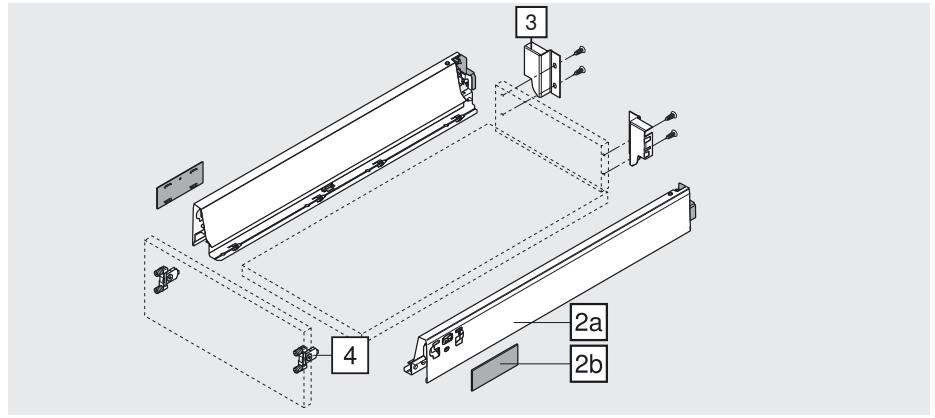


Order specification

Drawer – N



2a, 2b	Drawer sides and cover caps left/right		
		■	
Colour variants	SW TS	RAL9006	
Nominal length		Steel	Stainless steel
400 mm		358N4002SA	358N4002IA
450 mm		358N4502SA	358N4502IA
500 mm		358N5002SA	358N5002IA
550 mm		358N5502SA	358N5502IA

3	Back fixing left/right		
		■	
Colour variants	SW TS	RAL9006	Nickel plated
		Steel	
		Z30N000S.04	
Steel back			61

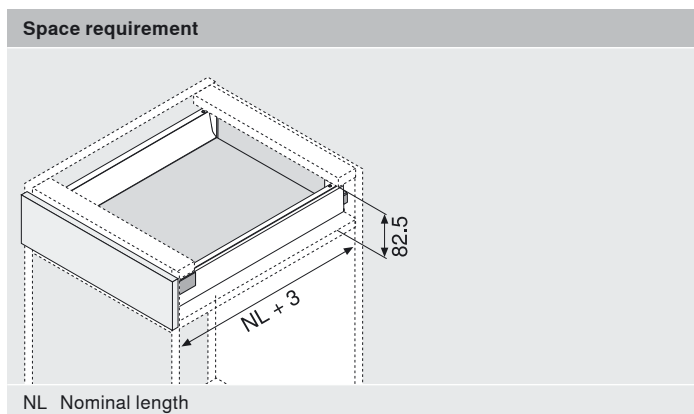
4	Front fixing bracket		
	INSERTA version	2x	ZSF.3902
	Screw-on version	2x	ZSF.3502
	Knock-in version	2x	ZSF.3602

Page instructions		
TANDEMBOX cabinet profile		60

Planning information

Drawer – N

Space requirements in cabinet	Front dimensions	Back installation dimensions	
	<p>FA Front overlay</p>		



Cutting dim. for 16 mm chipboard

	<p>Back 69 mm</p>	
	<p>Base Chipboard back NL - 24 mm Steel back NL - 22 mm</p>	
		<p>KB Cabinet width LW Inner cabinet width NL Nominal length</p>

Page instructions

Assembly, removal and adjustment

70