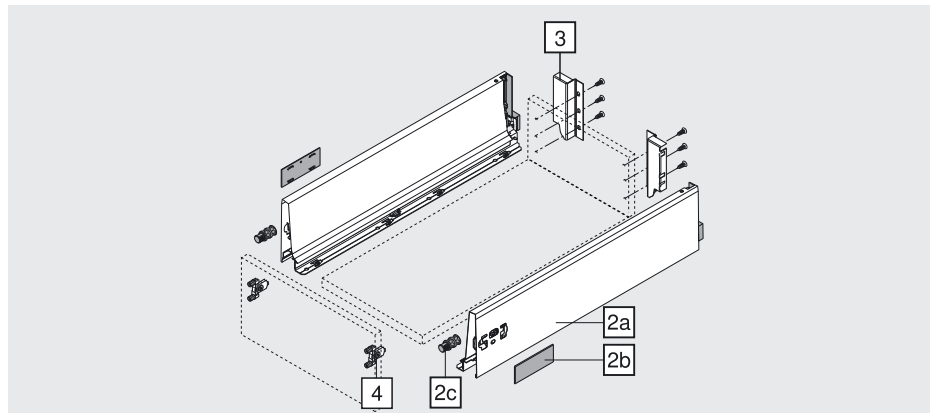
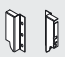




# Order specification

## Drawer – K



2a, 2b, 2c	Drawer sides and cover caps left/right	
		
Colour variants	SW TS	RAL9006
Nominal length	Steel	
270 mm	358K2702SA	
300 mm	358K3002SA	
350 mm	358K3502SA	
400 mm	358K4002SA	
450 mm	358K4502SA	
500 mm	358K5002SA	
550 mm	358K5502SA	
600 mm	359K6002SA	
650 mm	359K6502SA	

3	Back fixing left/right	
		
Colour variants	SW TS	RAL9006
	Steel	
	Z30K000S	
Steel back		61

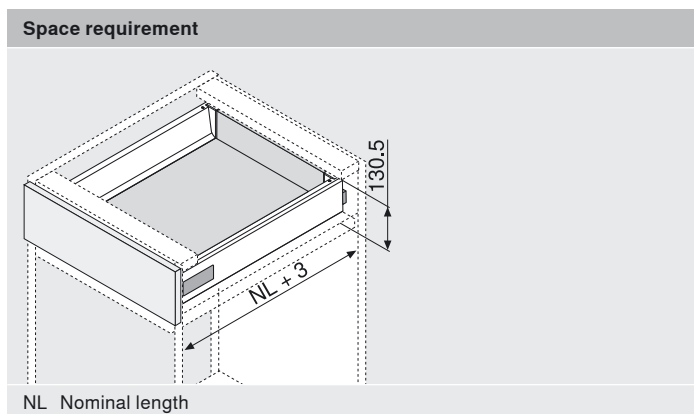
4	Front fixing bracket	
	INSERTA version	2x ZSF.3902
	Screw-on version	2x ZSF.3502
	Knock-in version	2x ZSF.3602

Page instructions	
TANDEMBOX cabinet profile	60

# Planning information

## Drawer – K

Space requirements in cabinet	Front dimensions	Back installation dimensions	
	<p>FA Front overlay</p>		



**Cutting dim. for 16 mm chipboard**

<p><b>Back</b> 116 mm LW - 87 mm</p>	
<p><b>Base</b> Chipboard back NL - 24 mm Steel back NL - 22 mm LW - 75 mm</p>	
	<p>KB Cabinet width LW Inner cabinet width NL Nominal length</p>

### Page instructions

Assembly, removal and adjustment

70