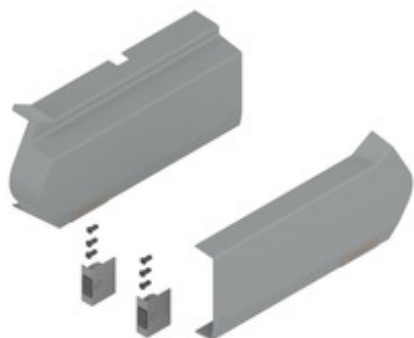


## Product details

AVENTOS HF bi-fold lift system, cover cap large (incl. Trigger switch for drilling, enclosed), right+left, for SERVO-DRIVE



Part number	21F8020
Item number	02518662
Colour / finish	Light grey/stainless steel brushed
Packaging quantity	1
Weight per 1,000 Pcs in kg	416.33
EAN code	9009494504859
UPC code	

### Technical attributes

Attribute	Value
Cover cap type	Cover cap large
Position	Left
Position	Right
cover cap version	Smooth design
Material	Nylon
Colour / finish	light grey/stainless steel longside brushed.
fixing of cover cap	press-on
Item package	right+left
packaging	Commercial packing
additions	Trigger switch for drilling, enclosed
additions	Distance bumper DM 5mm, enclosed
additions	Cover cap ABD.100-09.BT, enclosed