

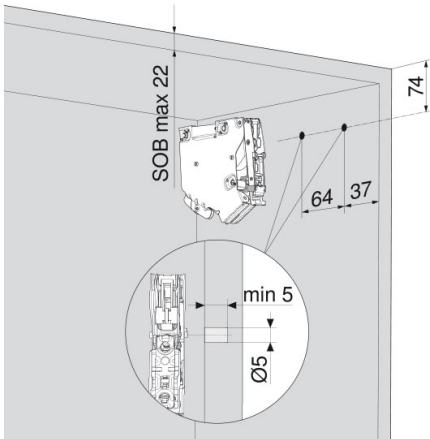
# Planning information



# New cabinet

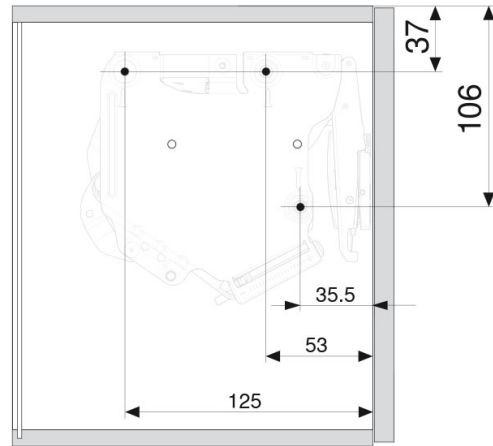
## AVENTOS HK-S small stay lift | Front version | Wood

### Peg position



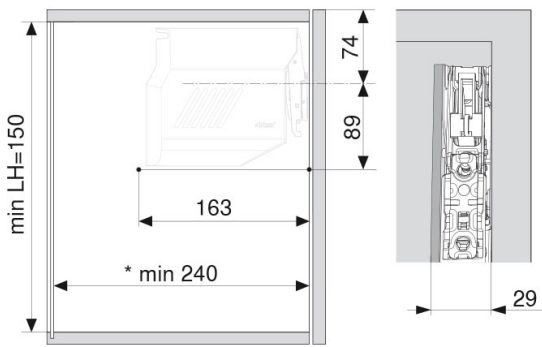
SOB max = maximum top panel thickness

### Fixing position



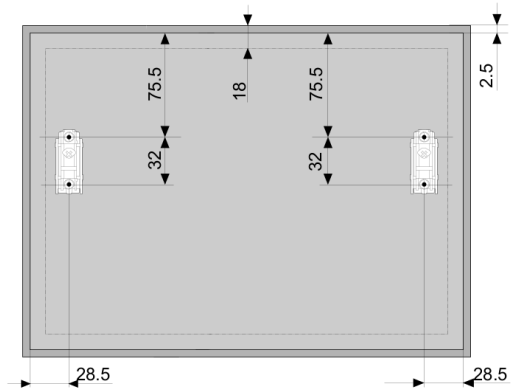
3 x chipboard screws Ø 4 x 35 mm

### Space requirement



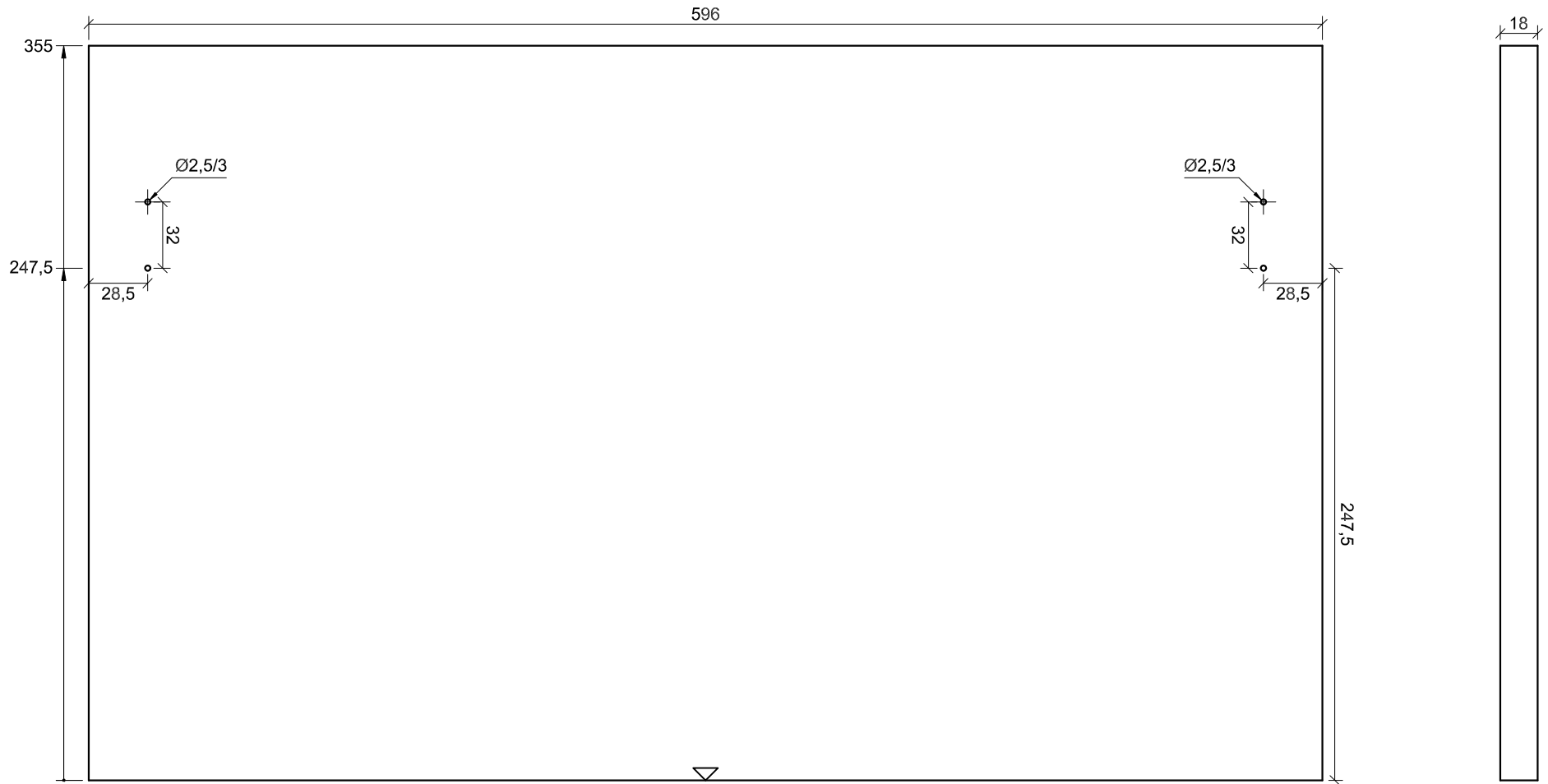
\* Min. 240 mm with visible wall hanging bracket


### Front assembly



Use 2 chipboard screws (609.1x00) for wooden fronts.

### Minimum gap



					Sheet	Legend	Date
					6/6	<div style="display: flex; align-items: center;"> <div style="width: 10px; height: 10px; background-color: black; margin-right: 5px;"></div> <span>Front of cabinet</span> </div>	2021-10-01
Project	Cabinet	Drawing number	Number of units	Description	Creator	<div style="display: flex; align-items: center;"> <div style="width: 10px; height: 10px; border-bottom: 1px solid black; margin-right: 5px;"></div> <span>Bottom of cabinet</span> </div>	
New project	New cabinet	ZKVT-001N	1	Lift system	Mark Smith		