

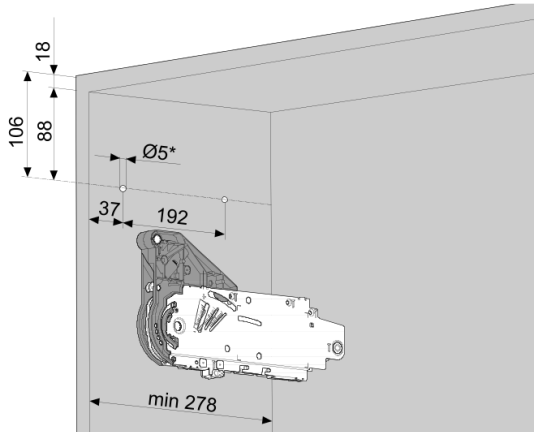
Planning information



New cabinet

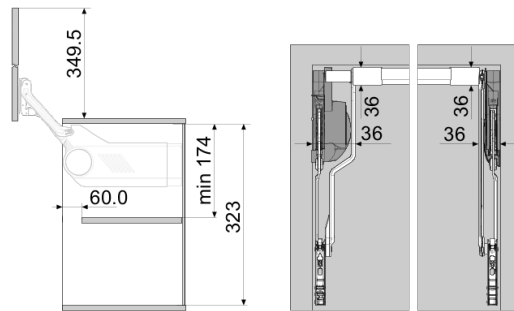
AVENTOS HL lift up | Front version | Wood

Drilling position

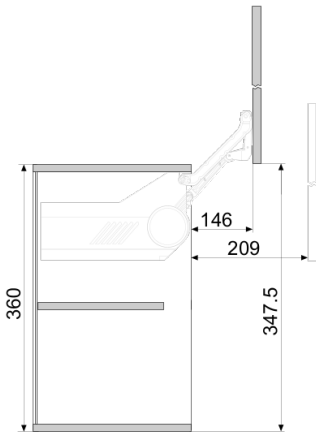


* Drilling depth 5 mm

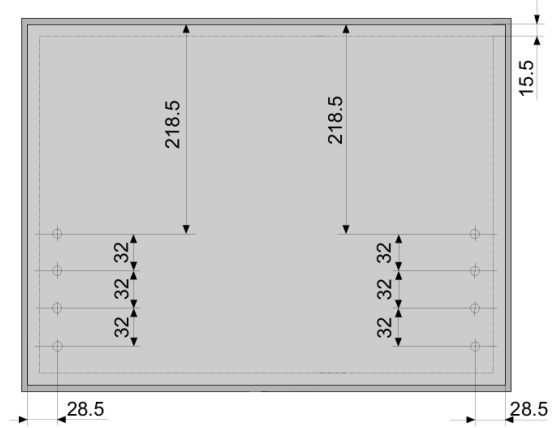
Space requirement



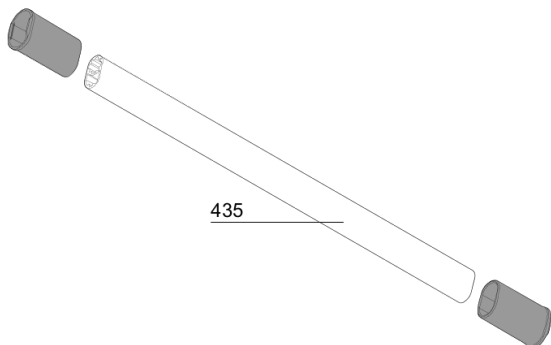
Front setting

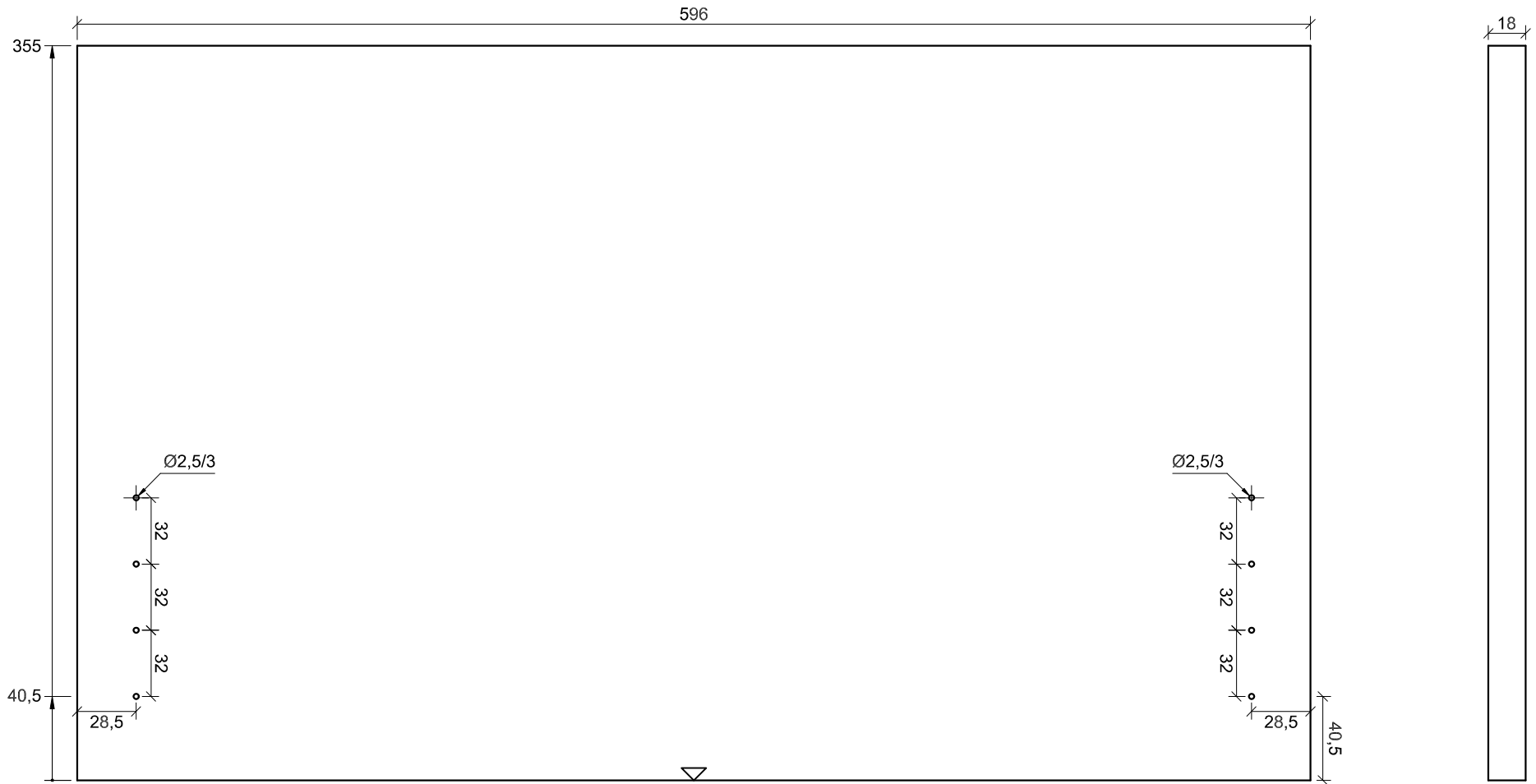


Front assembly



Cross stabiliser





Sheet	Legend	Date
6/6	▼ Front of cabinet	2021-10-01
	▽ Bottom of cabinet	

Project	Cabinet	Drawing number	Number of units	Description	Creator
New project	New cabinet	ZKVT-0022	1	Lift-up front	Mark Smith

