

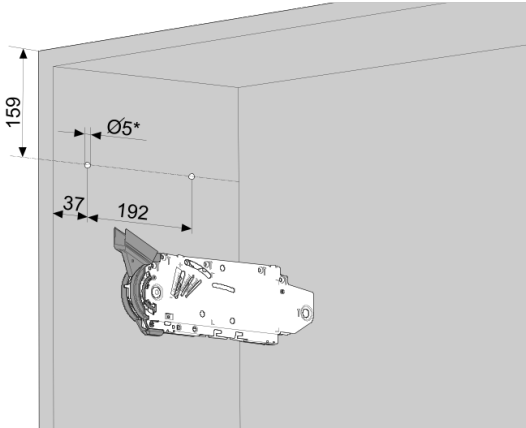
Planning information



New cabinet

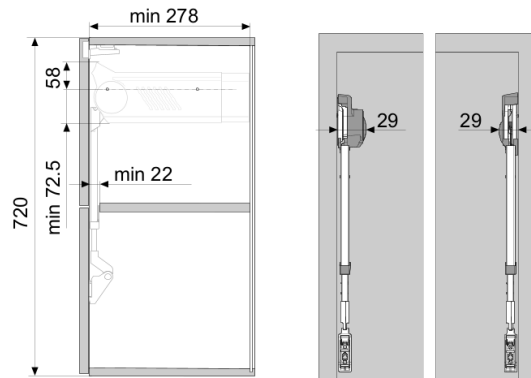
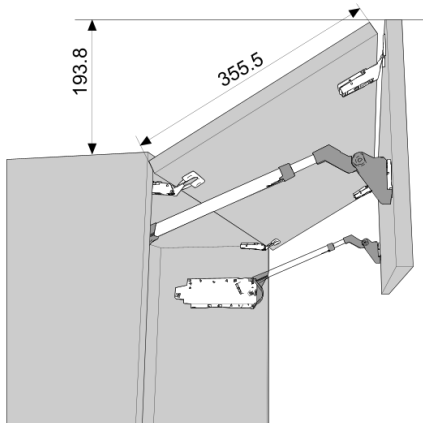
AVENTOS HF bi-fold lift system | Front version | Wood – Wood

Drilling position

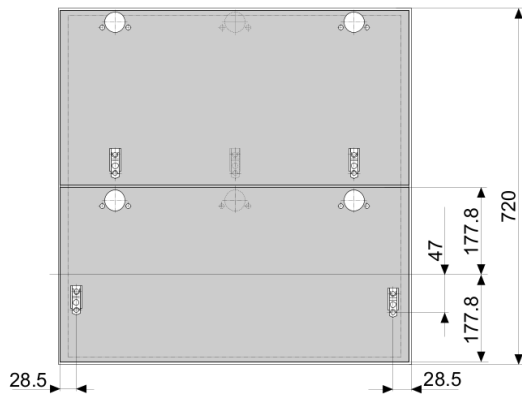


* Drilling depth 5 mm

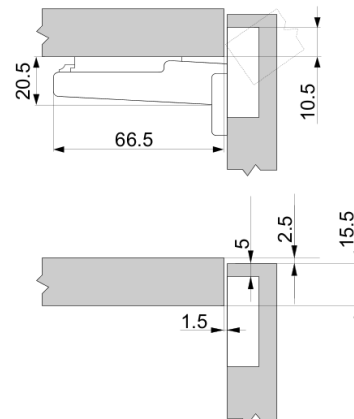
Space requirement

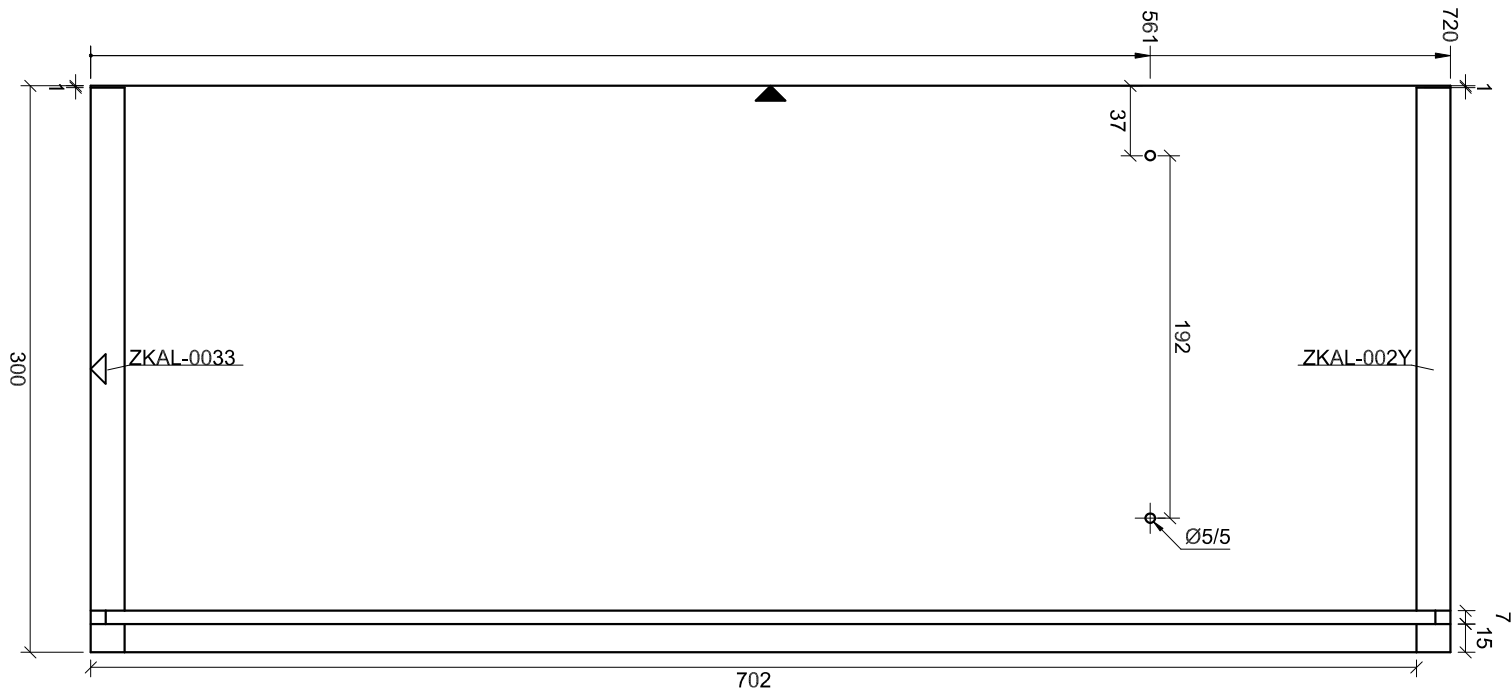
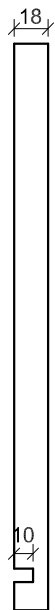


Front assembly



Top hinge

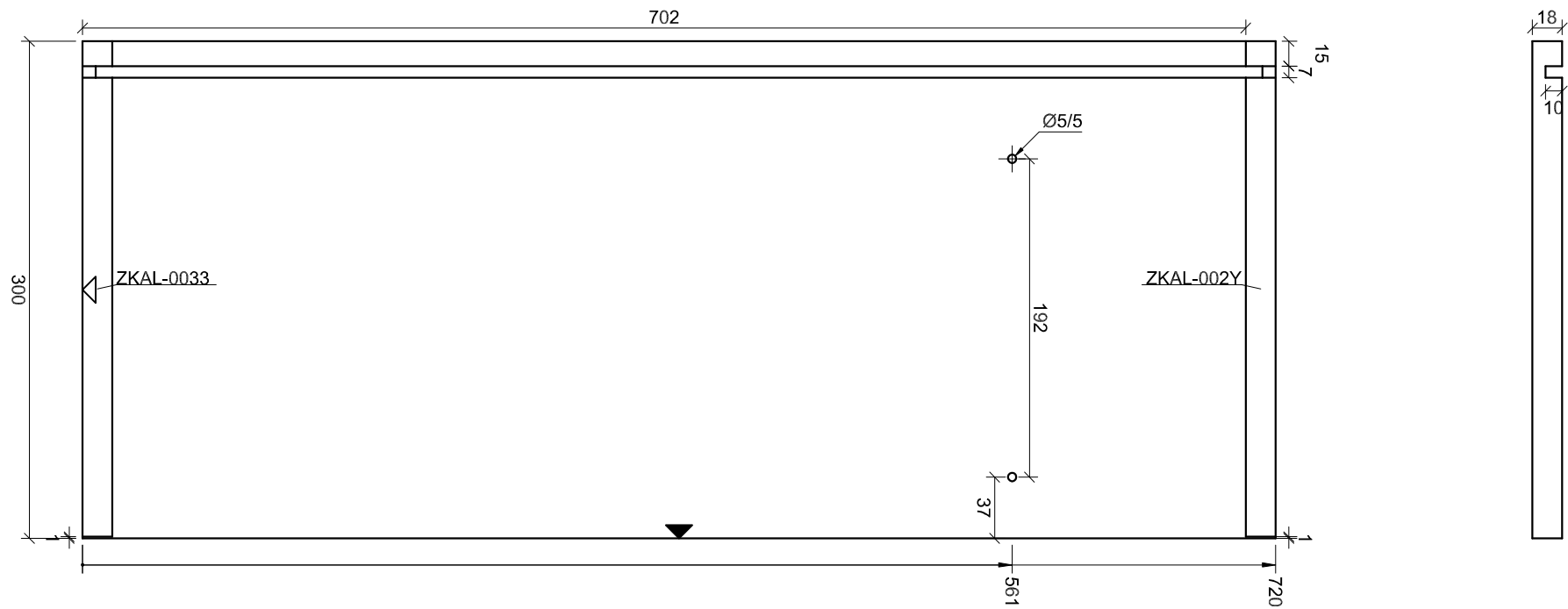




Sheet	Legend	Date
3/7	▼ Front of cabinet	2021-10-01
	▽ Bottom of cabinet	

Project	Cabinet	Drawing number	Number of units	Description
New project	New cabinet	ZKAL-0034	1	Left cabinet side View from right

Creator	blum®	
Mark Smith		

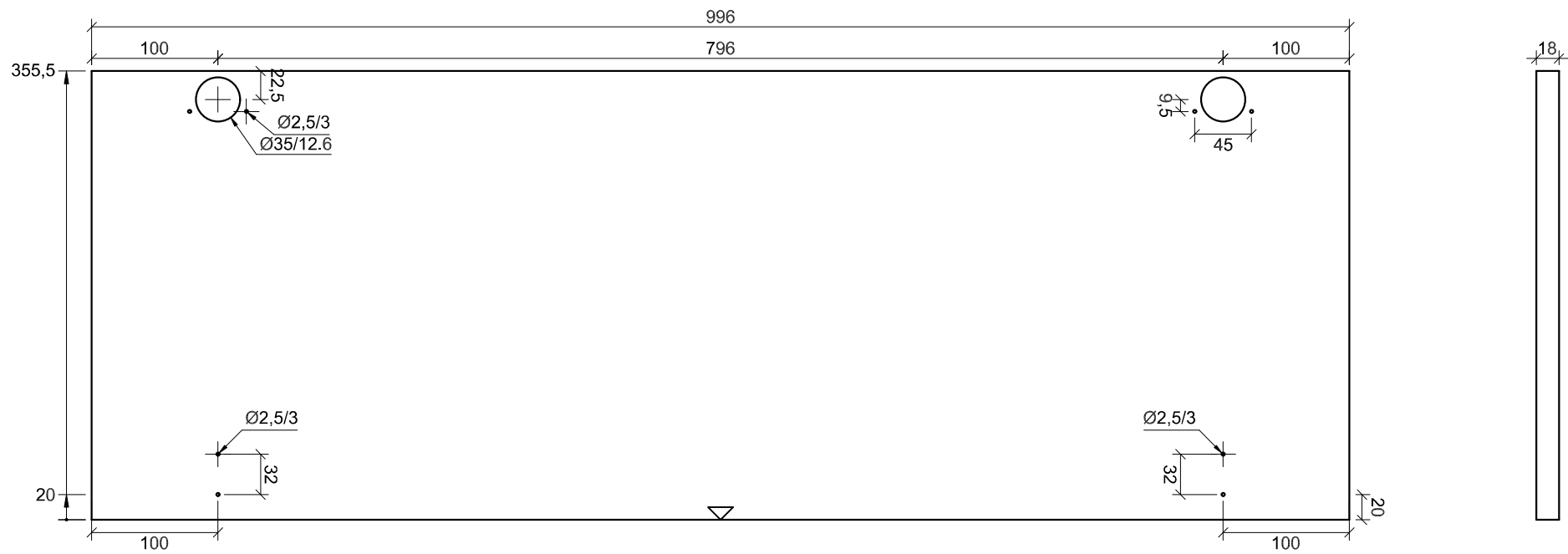





Sheet	Legend	Date
4/7	▼ Front of cabinet	2021-10-01
	▽ Bottom of cabinet	

Project	Cabinet	Drawing number	Number of units	Description
New project	New cabinet	ZKAL-0039	1	Right cabinet side View from left

Creator
Mark Smith





					Sheet	Legend	Date
					7/7	 Front of cabinet	2021-10-01
Project	Cabinet	Drawing number	Number of units	Description	Creator	 Bottom of cabinet	
New project	New cabinet	ZKAL-003K	1	Bi-fold front top	Mark Smith		