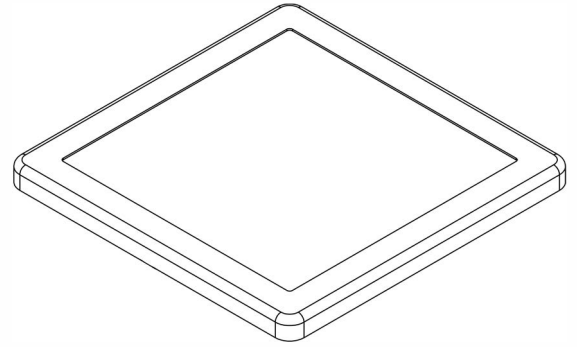


INSTALLATION  
INSTRUCTIONS

# Arcade

Under Cabinet Spot  
Light with 3 coloured  
bezels

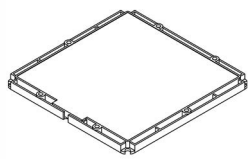


**Product Code:**

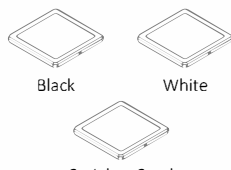
SE11095CO & SE11095WO

**IMPORTANT:** Please read these instructions before commencing installation and retain for future reference.

## Components



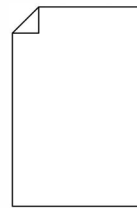
Arcade- Under Cabinet  
Spot Light



Arcade - Bezels



4 x Screws



1 x Instructions  
Manual

## Tools Required



Pencil



Screwdriver



Ø8 mm  
Drill Bit



Power Drill

## Important Safety Information

Please read these instructions carefully before attempting to install this product. It is advisable to keep these instructions in a safe place for future reference.

We recommend that you consult a qualified electrician. All electrical installation must be carried out in accordance with current IEE wiring regulations (BS7671).

These products must not be modified, if any modification are made, it may invalidate the warranty and may render the product unsafe. These LED lights operate low voltage (24V).

Do not wire the individual LED light fittings directly to the mains. This product is for indoor use only. Keep out of moisture and use only in dry rooms.

- If in doubt, installation must be carried out by a qualified electrician.
- Install on smooth flat surface(s) only.
- Do not exceed or stretch the cable length of each LED wire.
- This product is IP20 Rated.
- The wattage for each light is 3.6W. Make sure that the LED driver used with these fittings has an adequate max wattage, which is higher than 3.6W.

## Safety Instructions

1. Before commencing installation or maintenance, isolate the main electrical supply for the appropriate circuit at the fuse board.
2. This product is only suitable for connecting to a 240V 50Hz supply.
3. The lights should be mounted onto a secure surface.
4. Never exceed the total output of the LED driver.
5. Suitable for furniture lighting.
6. When the lamp expires the fitting must be replaced
7. Class III safety extra low voltage (SELV).

### Waste Electrical & Electronic Equipment (WEEE)

The symbol on the product, or on the document accompanying the product, the crossed out wheellie bin symbol, indicates that this product may not be treated as household waste. Instead it shall be handed over to the applicable collection point for the recycling of electrical and electronic waste.



**RoHS** ✓  
Compliant

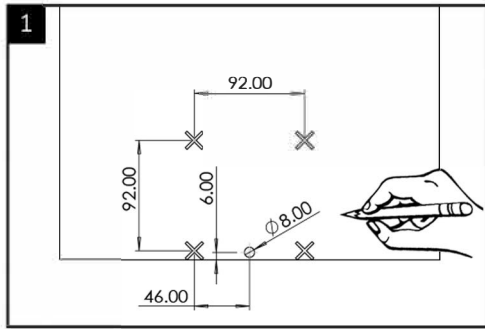


Sensio House, Unit 7, Speedwell Road, Whitwood, Castleford, West Yorkshire, WF10 5PY

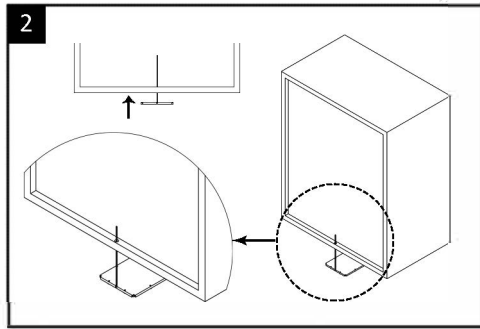
[www.sensio.co.uk](http://www.sensio.co.uk)

Technical drawings for illustration purposes only, Sensio has the right to change any information without prior notice.

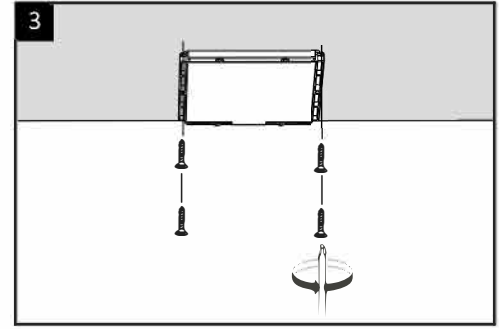
**Installation**



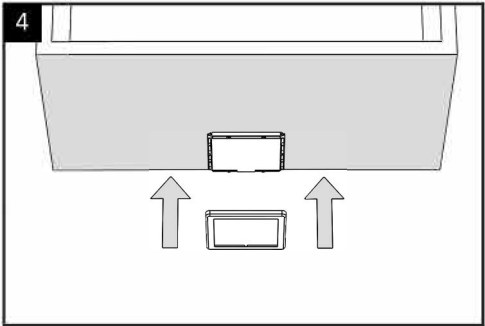
Carefully mark the the screw locations using the dimensions shown above and drill an Ø8mm hole into the base panel at the back of the cabinet. **Note:** Dimensions can vary if tiles or splash-backs are installed.



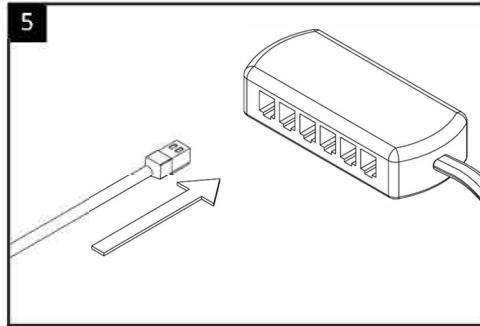
Thread the wire through the Ø8mm hole drilled earlier.



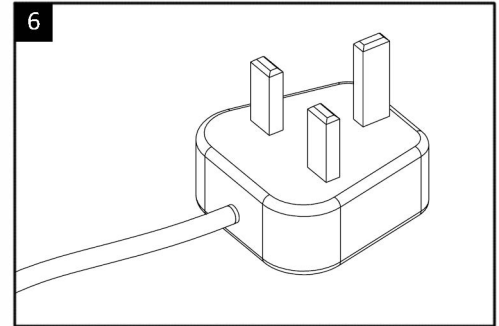
Screw the lamp into position using a screwdriver.



Align the metal case with the lamp and snap into position using the magnets, being careful to align the cut out for the wire, with the wire.

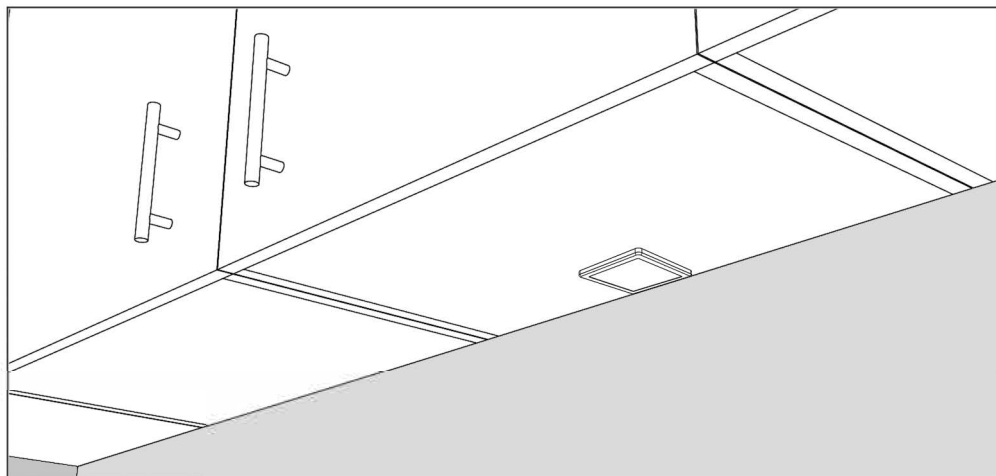


Connect the Arcade to the JB4 driver distribution block.



Finally, connect the driver to the mains supply or attach a plug.

**Operation**



**Maintenance & Care**

- Ensure that the power is disconnected prior to cleaning.
- To keep the finish of this product, wipe over with soft cloth periodically.
- Do not use harsh chemical solvents, this may dis-colour or damage the finish.