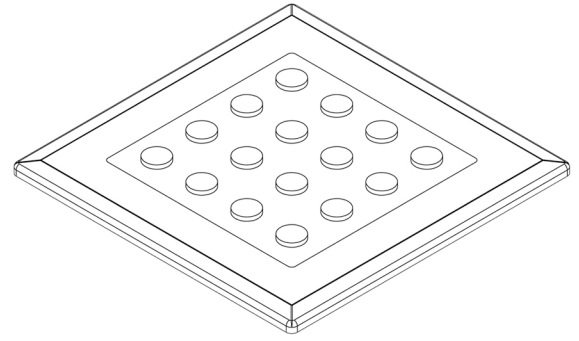


Alpha-S

Under Cabinet Spot Light

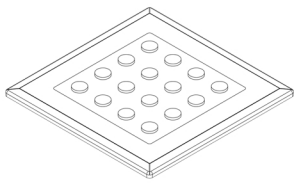


Product Codes: SE11490W0
SE11490C0

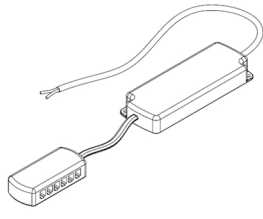
INSTALLATION INSTRUCTIONS

IMPORTANT: Please read these instructions before commencing installation and retain for future reference.

Components



Alpha-S Under Cabinet Spot Light



Driver and JB4 Distribution Block
(Not Included)



1 x Instructions
Manual

Tools Required



Pencil



Screwdriver



Ø8 mm
Drill Bit



Power Drill

Important Safety Information

Please read these instructions carefully before attempting to install this product. It is advisable to keep these instructions in a safe place for future reference.

We recommend that you consult a qualified electrician. All electrical installation must be carried out in accordance with current IEE wiring regulations (BS7671).

These products must not be modified, if any modification are made, it may invalidate the warranty and may render the product unsafe. These LED lights operate low voltage (24V).

Do not wire the individual LED light fittings directly to the mains. This product is for indoor use only. Keep out of moisture and use only in dry rooms.

- If in doubt, installation must be carried out by a qualified electrician.
- Install on smooth flat surface(s) only.
- Do not exceed or stretch the cable length of each LED wire.
- This product is IP20 Rated.
- The wattage for each light is 3W. Make sure that the LED driver used with these fittings has an adequate max wattage, which is higher than 3W.

Safety Instructions

1. Before commencing installation or maintenance, isolate the main electrical supply for the appropriate circuit at the fuse board.
2. This product is only suitable for connecting to a 240V 50Hz supply.
3. The lights should be mounted onto a secure surface.
4. Never exceed the total output of the LED driver.
5. Suitable for furniture lighting.
6. When the lamp expires the fitting must be replaced
7. Class III safety extra low voltage (SELV).

Waste Electrical & Electronic Equipment (WEEE)

The symbol on the product, or on the document accompanying the product, the crossed out wheellie bin symbol, indicates that this product may not be treated as household waste. Instead it shall be handed over to the applicable collection point for the recycling of electrical and electronic waste.



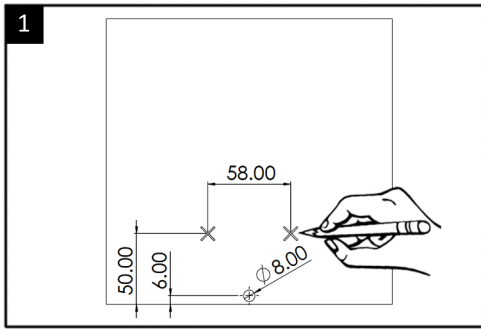
RoHS Compliant ✓ **CE**

Sensio House, Unit 7, Speedwell Road, Whitwood, Castleford, West Yorkshire, WF10 5PY

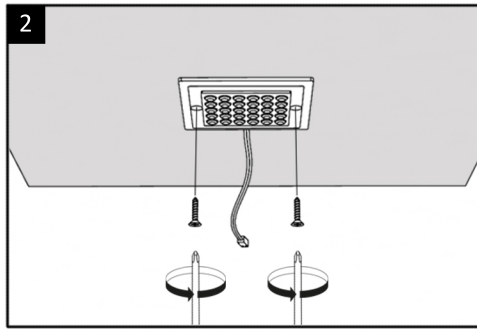
www.sensio.co.uk

Technical drawings for illustration purposes only, Sensio had the right to change any information without prior notice. Make sure you check all hole cut outs before work commences.

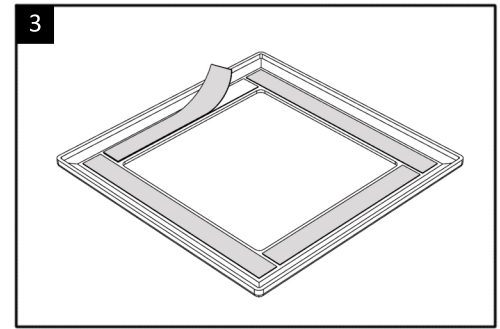
Installation



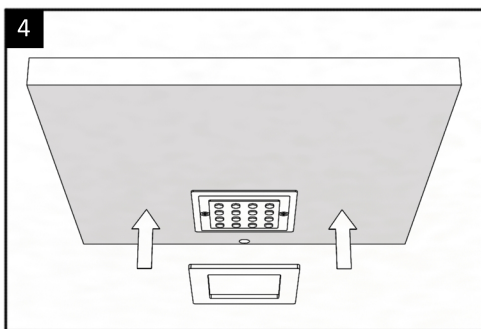
Carefully mark the the screw locations using the dimensions shown above and drill a $\varnothing 8$ mm hole into the base panel at the back of the cabinet. **Note:** Dimensions can vary if tiles or splashbacks are installed.



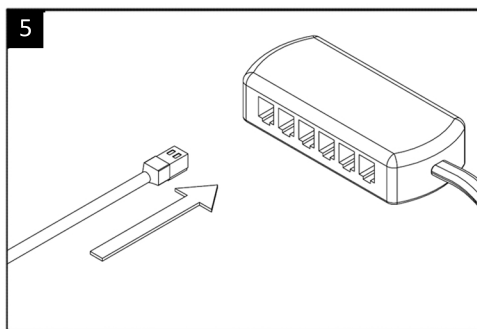
Screw the lamp into position using a screwdriver and thread the cable through the hole.



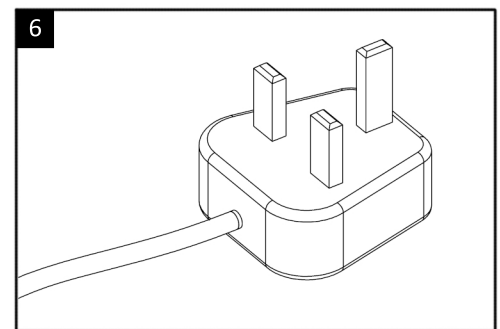
Peel the backing tape off of the adhesive tape on the metal casing.



Stick the metal casing on to the lamp.

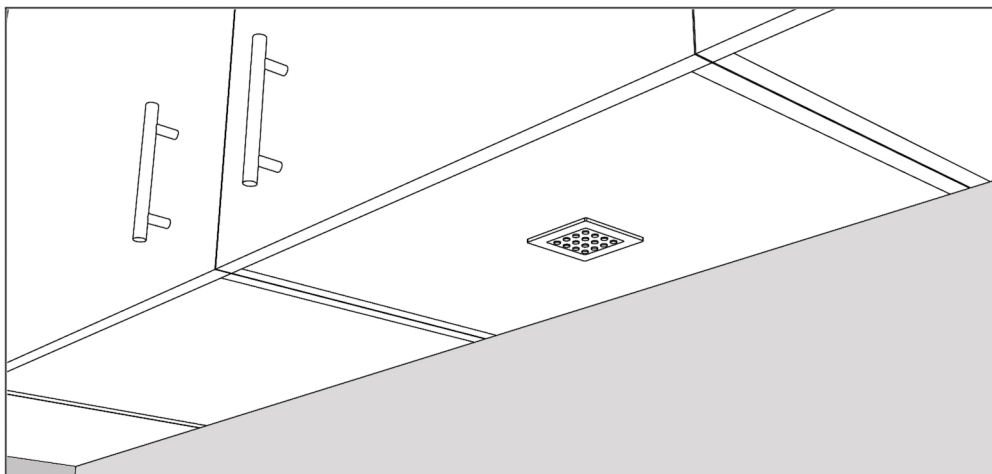


Connect the Alpha-S to the JB4 driver distributio block.



Finally, connect the driver to the mains supply or attach a plug.

Operation



Essential Parts:

- SE40553 6W LED Driver with 4 Port JB4 Distributor
- SE4055 15W LED Driver with 6 Port JB4 Distributor
- SE40556 30W LED Driver with 12 Port JB4 Distributor
- SE4057 60W LED Driver with 12 Port JB4 Distributor

Maintenance & Care

- Ensure that the power is disconnected prior to cleaning.
- To keep the finish of this product, wipe over with soft cloth periodically.
- Do not use harsh chemical solvents, this may dis-colour or damage the finish.