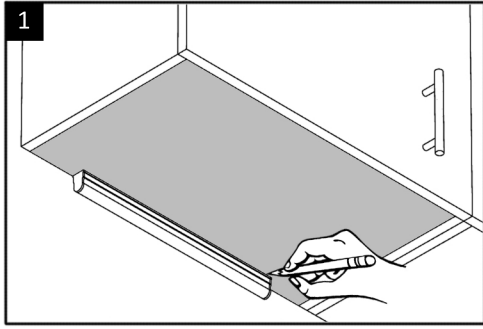
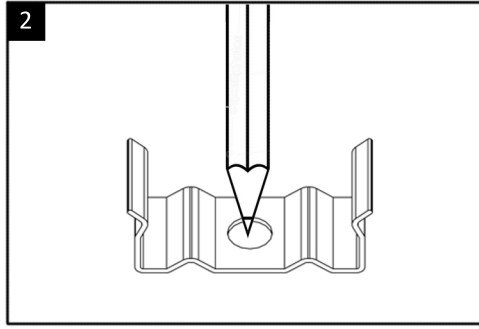


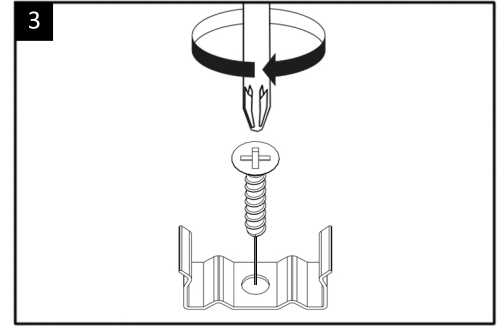
Installation



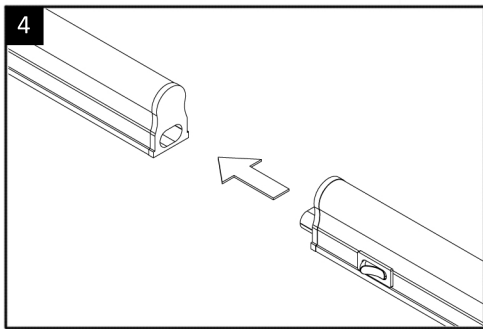
Using a pencil, mark the desired position for the Connex under the cabinet.



Using a pencil, mark where the fixing brackets will be positioned - one at either end to take the weight of the light evenly.

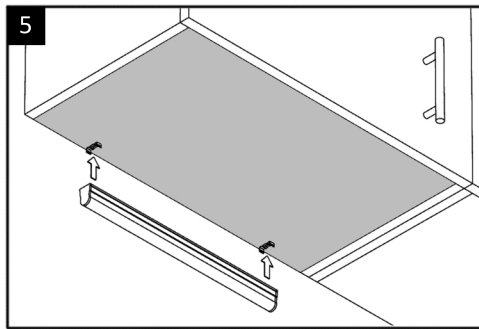


Fix the brackets to the desired position using the screws included.

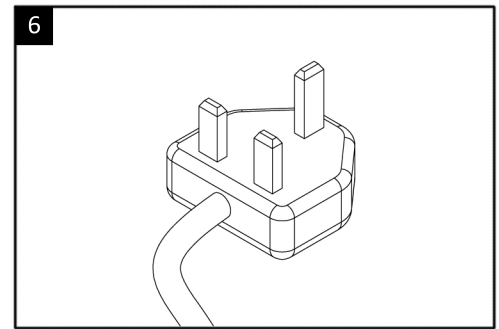


If you are installing a run of Connex lights, remove the end-caps and connect the lights by inserting the male-end into the female-end.

Note: This can be achieved with the connection cable as well.



Clip the Connex into the two fixing brackets to secure it in position.



Finally, connect the Connex directly to 240V mains supply or 13A plug. If you are creating a run of Connex lights, you only need to connect the Connex at the start of the run.

Operation

Colour Change Function

The Connex has three colour functions, which are:

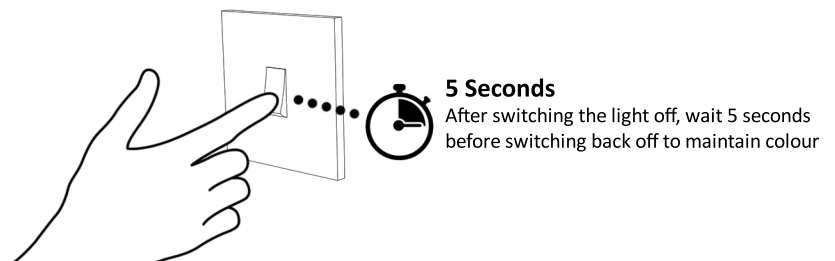
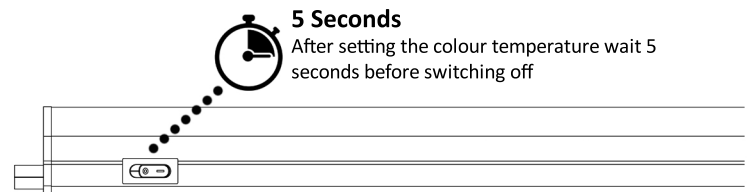
- Cool White
- Natural White
- Warm White

To cycle through the colours simply turn the Connex on and off using the switch located at the side.

Note: When multiple Connex lights are linked, each light must be set individually.

Memory Function

The Connex has a memory function to remember what colour you have selected. When the Connex is switched off at the mains, wait at least 5 seconds before switching it back on and the colour will be remembered. The ON/OFF switch located at the side of the Connex must remain ON for this feature to work.



Maintenance & Care

- Ensure that the power is disconnected prior to cleaning.
- To keep the finish of this product, wipe over with soft cloth periodically.
- Do not use harsh chemical solvents, this may dis-colour or damage the finish.

Sensio House, Unit 7, Speedwell Road, Whitwood, Castleford, West Yorkshire, WF10 5PY
www.sensio.co.uk

Technical drawings for illustration purposes only, Sensio has the right to change any information without prior notice.