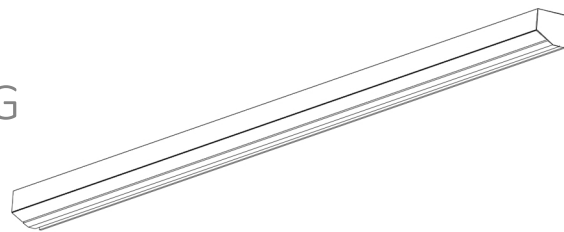


INSTALLATION  
INSTRUCTIONS

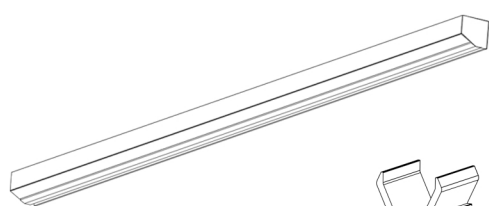
1 x 1015mm MIDWAY  
ALUMINIUM HANGING  
RAIL SYSTEM WITH  
FROSTED DIFFUSER



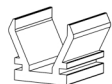
**CODE: SE180221/SE18012C1  
SE180821/SE18018C1**

**IMPORTANT:** Please read these instructions before commencing installation and retain for future reference.

**Components**



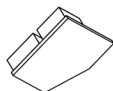
1 x Midway hanging system



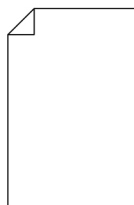
Profile Clips



3 x Screws



2 x End Caps



1 x instructions

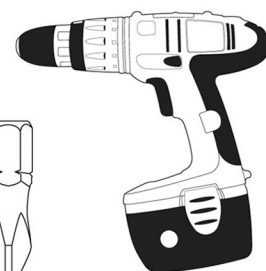
**Tools required**



9-11mm Drill Bit



PZ1 Screw Bit



Power Drill

**Important Safety Information**

Please read these instructions carefully before attempting to install this product. It is advisable to keep these instructions in a safe place for future reference.

We recommend that you consult a qualified electrician. All electrical installation must be carried out in accordance with current IEE wiring regulations (BS7671).

These products must not be modified, if any modification are made, it may invalidate the warranty and may render the product unsafe.

Do not wire the individual LED light fittings directly to the mains. This product should be used indoors only.

- If in doubt installation must be carried out by a qualified electrician.
- Install on smooth flat surface(s) only.
- Use the appropriate length of flexible strip with this product.
- If you do not already have the following additional products: Sensio flexible strip, driver connection lead and driver, then you will need to purchase these to use with this product.

**Safety Instructions**

1. Before commencing installation or maintenance, isolate the main electrical supply for the appropriate circuit at the fuse board.
2. The lights should be mounted onto a secure surface.
3. Never exceed the total output of the LED driver used with the flexible strip chosen for this product.
4. Suitable for furniture lighting.
5. Should the LED strip fail please replace LED strip.

**Maintenance & Care**

- Ensure that the power is disconnected prior to cleaning.
- To keep the finish of this product, wipe over with soft cloth periodically.
- Do not use harsh chemical solvents, this may dis-colour or damage the finish.

**Waste Electrical & Electronic Equipment (WEEE)**

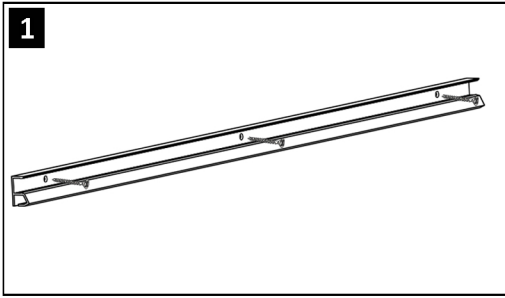
The symbol on the product, or on the document accompanying the product, the crossed out wheeled bin symbol, indicates that this product may not be treated as household waste. Instead it shall be handed over to the applicable collection point for the recycling of electrical and electronic waste.



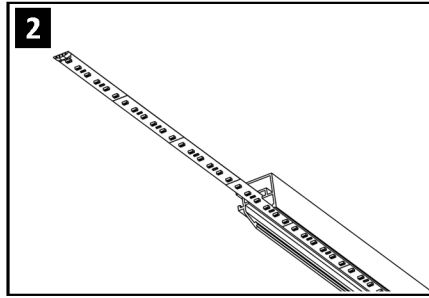
**RoHS**  
Compliant ✓



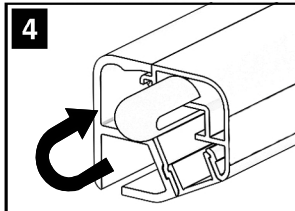
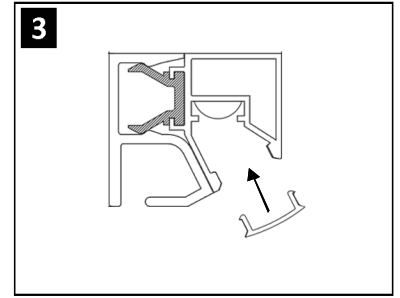
**Installation**



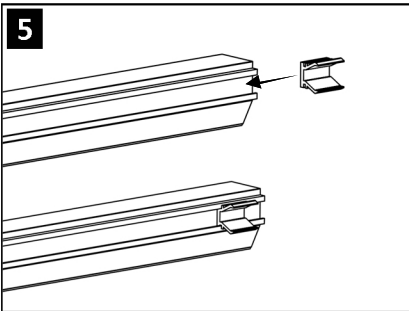
Separate the 2 aluminium profiles and plastic diffuser. Measure and mark out, using a spirit level, the desired positioning of your rail system. Take the profile with the screw holes present and, using the screws provided, fix the profile to the mounting surface. Make sure that the profile is the correct way up (as shown above).



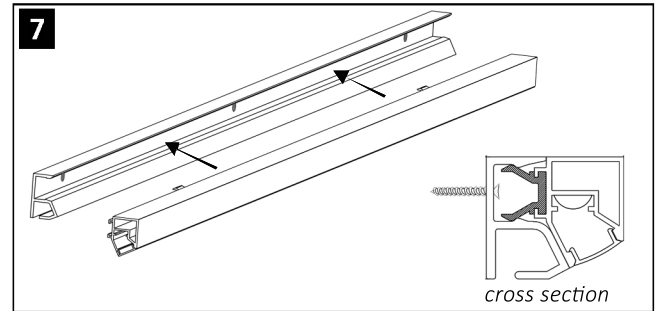
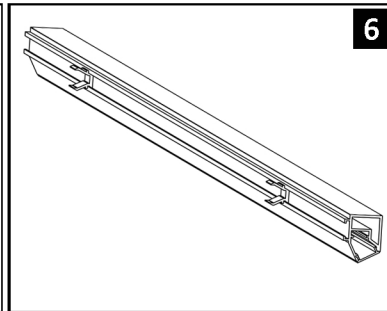
Take the second profile (profile 2) and insert your flexible strip (do not remove the backing to the strip as the adhesive will not be used) into the profile by pushing the strip through the profile, as shown above. Connect the strip to the correct end of the driver connection lead and push the connection firmly into the profile so that only wire is protruding from the profile. *Please note if you are using the VIVA strip you will need to use the adhesive backing to stick the strip to the profile.* Next, firmly push the diffuser into the profile to cover the LED strip. The diffuser will clip into place.



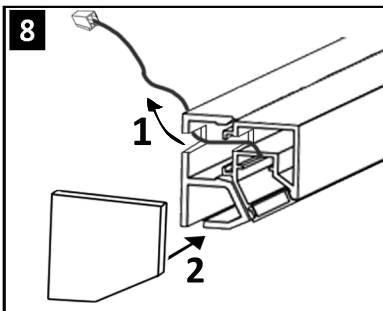
Please note if you are using an LED strip other than Compact, such as RGB for example, you will have to cut the length down to fit inside Midway. Measure 1000mm along the strip and then cut the strip at the next indicated cut point above this measurement. Once the strip is cut to length, insert it into the channel as shown above and fold it back on itself into the spare cavity above the LED channel.



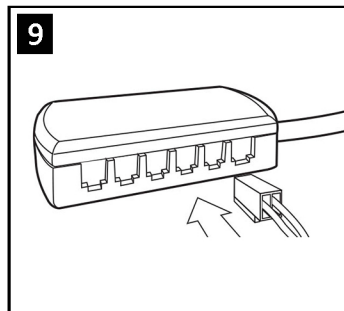
Next, slide the profile clips onto profile 2 (as shown above). You will need 2 clips per 1m of midway system.



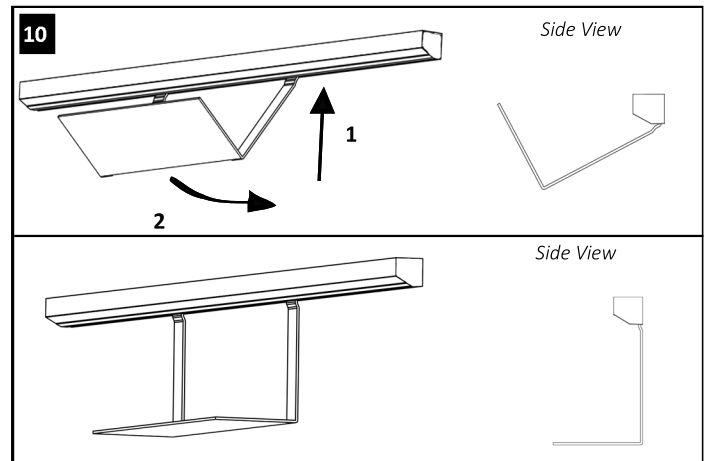
Then firmly push profile 2 into profile 1 until it clicks into place. Your profile is now secure to the wall.



Next, take one end cap and place on the end from which your driver connection lead exits the profile. Making sure that the wire is safely fed through the exit cut out holes (shown above). Then take the second end cap and place firmly onto the other end of your profile.



*If required drill a 9-11mm hole towards the back of your cabinets in order to hide your driver connection lead.* Connect the lead to the driver junction box using the JB4 connectors. Then connect the driver to the mains supply and turn on.



To connect any optional accessories to the system, simply insert these, at angle, upwards into the gap on the underside of the rail and then tilt the accessory into the resting position, as shown above. Your accessory can now be used.