

New
motion technology



TIP-ON BLUMOTION for TANDEMBOX

Two functions – fascinatingly combined

www.blum.com

 **blum**[®]





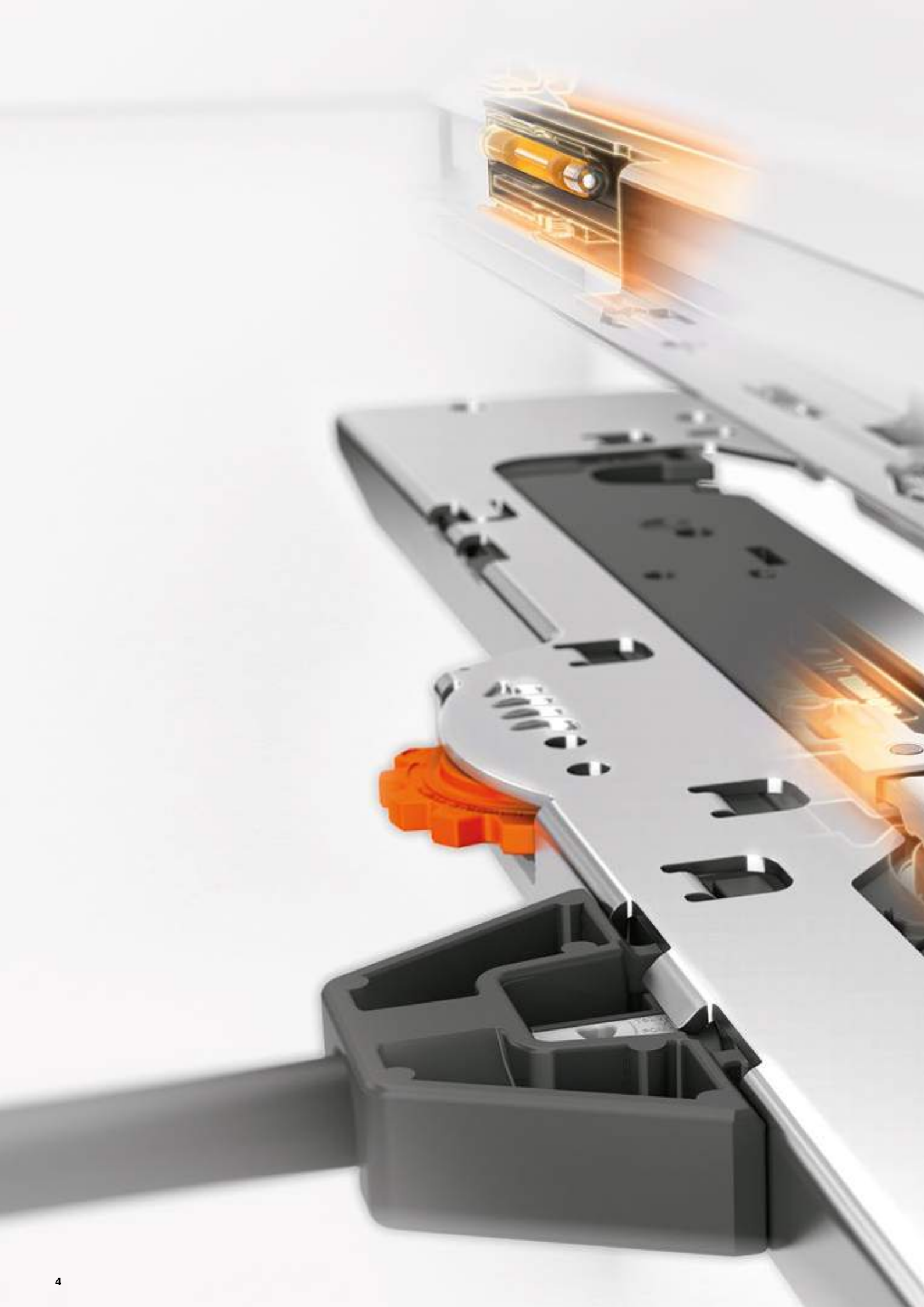
Contents

- 4 Innovative technology
- 6 Fascinating combination
- 8 High functionality
- 10 Extra convenience guaranteed
- 12 Optimised box system
- 14 Easy assembly
- 16 TIP-ON BLUMOTION
for all living areas
- 24 Well-designed product details
- 26 Technical overview
- 38 Blum



Experience **TIP-ON BLUMOTION**
interactively now:

Just download the free 'Blum Magazines' app
for tablet PCs in the App Store or from Google Play
and experience TIP-ON BLUMOTION digitally!



Innovative technology

The focus of all our product development: our furniture users' many different needs. The result: a solution that provides optimal support for motion – 100 % mechanically. TIP-ON BLUMOTION for TANDEMBOX combines the advantages of the TIP-ON mechanical opening support system with reliable BLUMOTION dampening for silent and effortless closing.

 blum®





A simple touch,



and the pull-out opens.



A light push, and it closes.





Watch
TIP-ON BLUMOTION
film: [www.blum.com/
trailertiponblumotion](http://www.blum.com/trailertiponblumotion)

Fascinating combination

Opens with just a light touch, has a smooth running action and closes silently and effortlessly – experience completely harmonious and convenient motion with TIP-ON BLUMOTION technology for TANDEMBOX. And the best part: the motion is assisted 100% mechanically.

 **blum**



High functionality

The extensive trigger range of TIP-ON BLUMOTION for TANDEMBOX provides inspirational ease of use for handle-less pull-outs and drawers. An optional synchronisation can be used to extend the trigger range even further.

 **blum**



Small front gap

TIP-ON BLUMOTION can be adjusted to have a small front gap of 2.5 mm, meaning it is also ideal for kitchens.



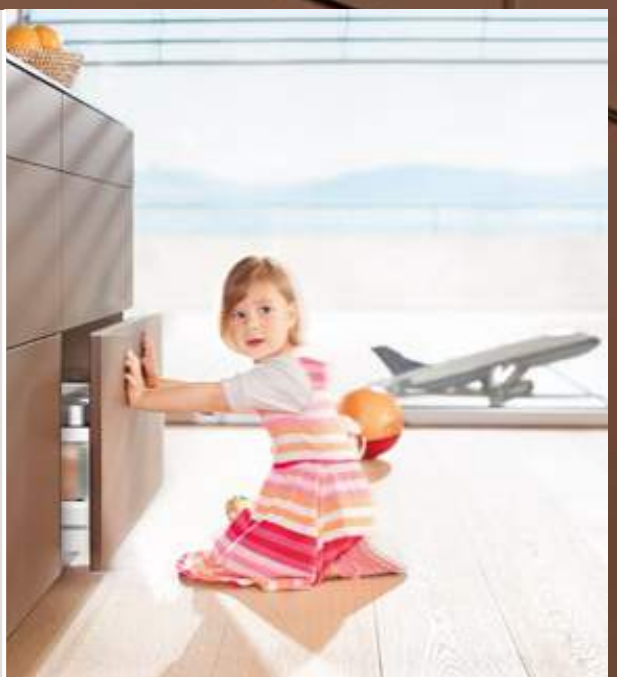
Four-dimensional adjustment

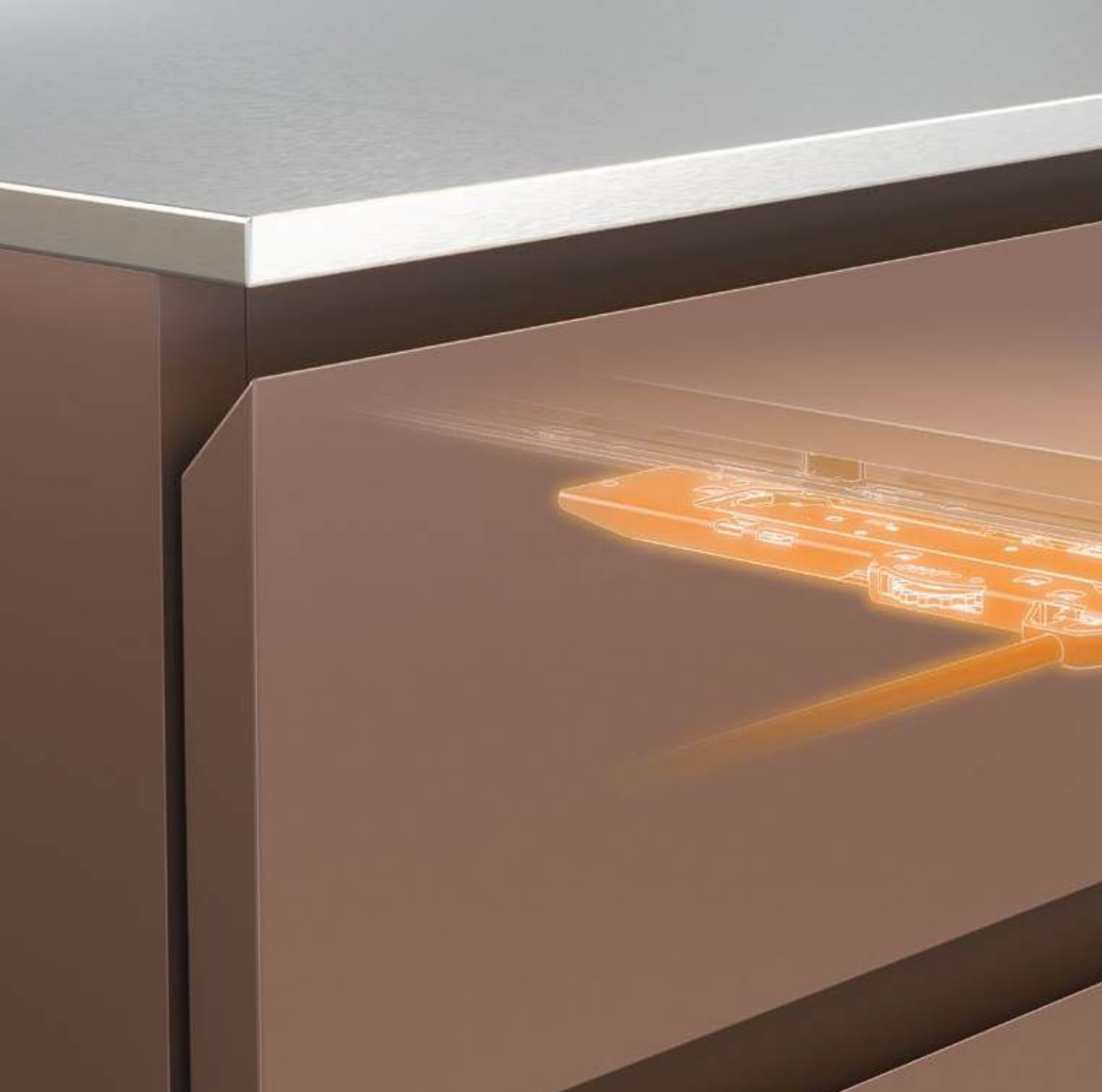
The four-dimensional adjustment ensures a precise gap layout. The integrated depth adjustment can be made tool-free using the adjustment wheel.



Intelligent mechanics

TIP-ON BLUMOTION is more user-friendly and gives you a choice: pull or push to open.





Extra convenience guaranteed

With TIP-ON BLUMOTION, it is possible to refine any design concept with well-thought-out functionality – particularly if the design of the furniture avoids the use of handles completely, or if handle elements are being used for accentuation purposes. Once fitted with TIP-ON BLUMOTION, all pull-outs will have one thing in common: their ease of use will be extra impressive.

 **blum**

Pull-outs with j-handles

Individual design with integrated TIP-ON BLUMOTION: simple and ergonomic opening of pull-outs with a light touch even when your hands are full.



Pull-outs with handles as a design element

Sometimes, handles simply give furniture that extra something. TIP-ON BLUMOTION supports special design ideas by adding more functionality.



Pull-outs with recessed grips

TIP-ON BLUMOTION makes it easier to open pull-outs with recessed grips: a light touch is all that is needed, anywhere on the pull-out, thanks to the extensive trigger range.



Easy opening

Lower opening forces and an even smoother transition to the feather-light glide improve performance from the moment you open the pull-out.



Quality to the touch

You can feel the increased stability provided by the combination of the optimised drawer side and new front fixing bracket.



Optimised feather-light glide

Components in the drawer side and cabinet profile have been further developed to optimise the feather-light glide of TANDEMBOX and the smooth running action.





Optimised box system

TANDEMBOX has been impressing users with its high ease of use and wide range of available design options for many years. Over the course of the development of TIP-ON BLUMOTION for TANDEMBOX, some of the main functions of the existing system were also optimised and tangibly improved.

Easy assembly

TIP-ON BLUMOTION for TANDEMBOX is the perfect mechanical solution for handle-less furniture in all living areas. Pull-outs and drawers can be implemented in the usual manner.

 **blum**



➤ Watch assembly film:
[www.blum.com/
assemblytobtbx](http://www.blum.com/assemblytobtbx)



No additional cabinet and drawer assembly

TIP-ON BLUMOTION can be used with standard cabinets and fronts. There is no need for additional assembly, e.g. for recessed grips or handle strips.



Easy assembly and adjustment

Like most components, the TIP-ON BLUMOTION unit is assembled tool-free.



Optional synchronisation

From a cabinet width of 300 mm, the motion is improved through the use of optional synchronisation. Assembly is carried out tool-free.



Precise front gap adjustment

The front gap can be conveniently adjusted to 2.5 mm using the gap checking/adjustment template, regardless of whether the front is installed already.

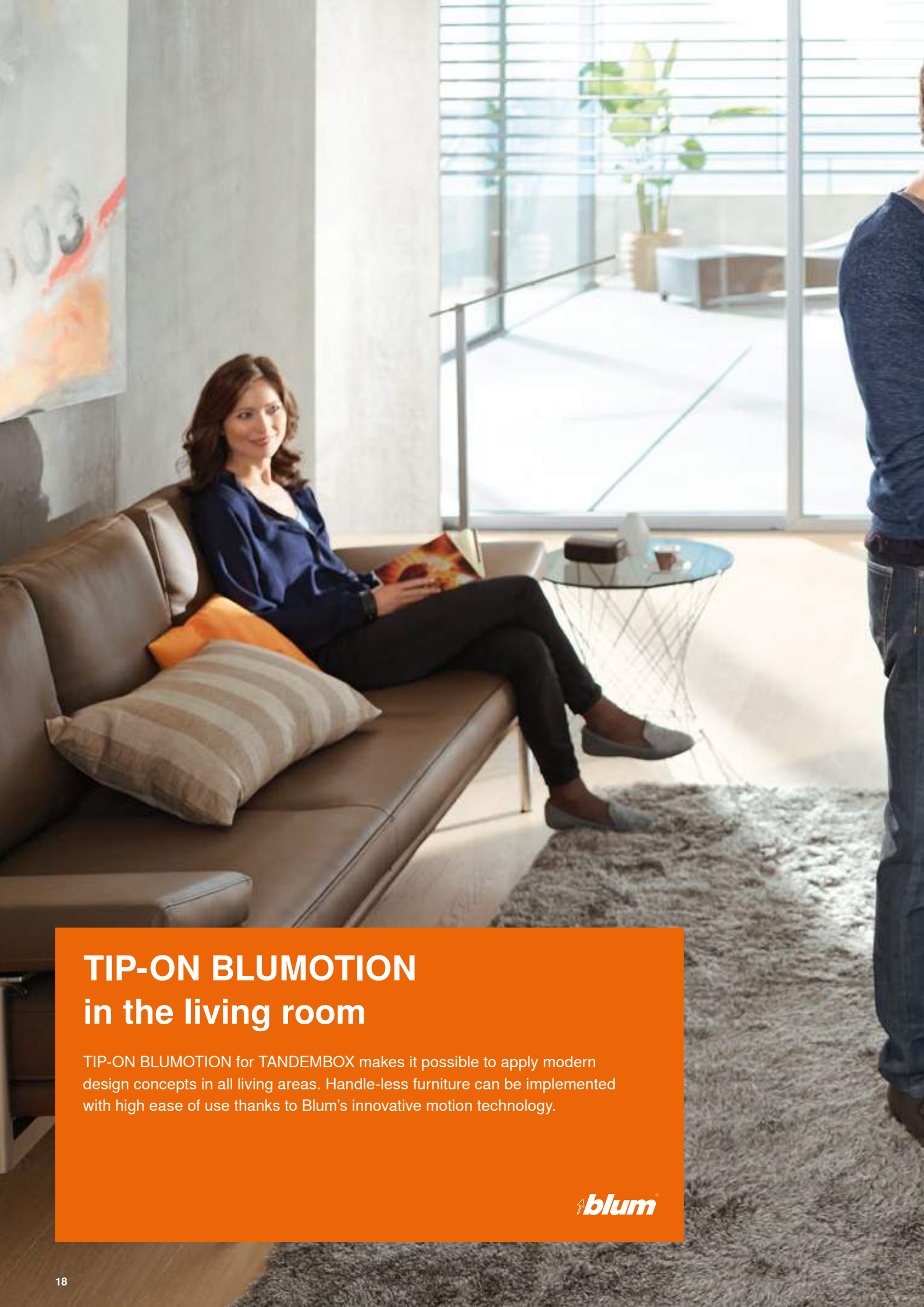


TIP-ON BLUMOTION in the kitchen

Everyday kitchen use places extremely high demands on a piece of furniture's quality of motion. TIP-ON BLUMOTION for TANDEMBOX provides inspiration here with its undeniable ease of use.

 blum®





TIP-ON BLUMOTION in the living room

TIP-ON BLUMOTION for TANDEMBOX makes it possible to apply modern design concepts in all living areas. Handle-less furniture can be implemented with high ease of use thanks to Blum's innovative motion technology.

 **blum**



TIP-ON BLUMOTION in the bathroom

TIP-ON BLUMOTION also ensures high quality of motion in the bathroom for the lifetime of the furniture. The zinc-plated steel and plastic components offer optimum corrosion protection even in high levels of humidity.

 **blum**





TIP-ON BLUMOTION in the hall

With TIP-ON BLUMOTION for TANDEMBOX, handle-less furniture can be implemented in all living areas, including the hall. With an impressively smooth running action, even high and wide fronts can be opened with just a light touch and close silently and effortlessly.

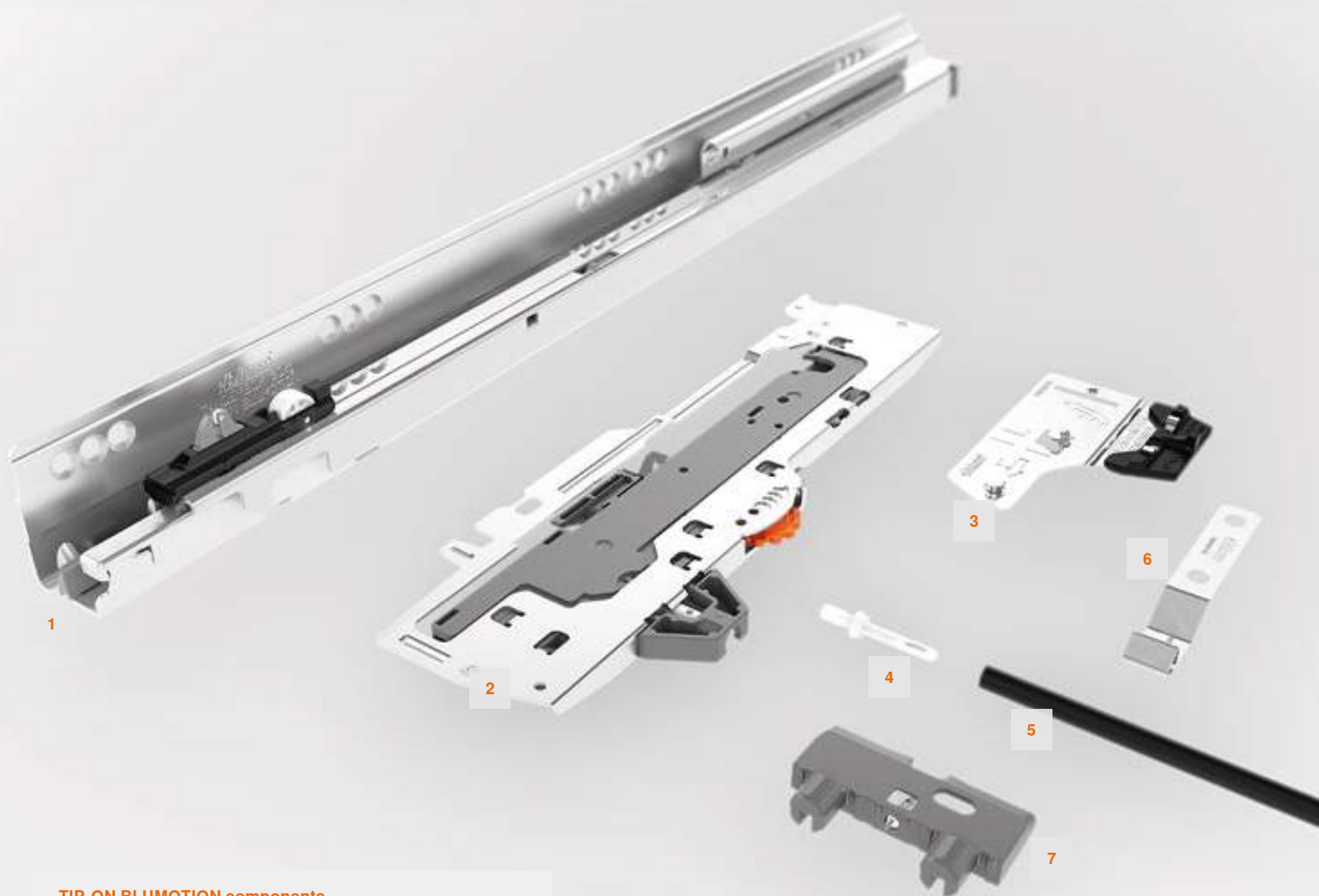
 **blum**



Well-designed product details

The basis of TIP-ON BLUMOTION is the specially designed TANDEMBOX cabinet profile. Varying nominal lengths and weight ranges can be achieved with different TIP-ON BLUMOTION units. All other components can be used universally. This means that TIP-ON BLUMOTION is a suitable solution for any application.

blum



TIP-ON BLUMOTION components

1. TIP-ON BLUMOTION TANDEMBOX cabinet profile
2. TIP-ON BLUMOTION unit
3. TIP-ON BLUMOTION latch
4. TIP-ON BLUMOTION synchronisation adapter
5. TIP-ON BLUMOTION synchronisation linkage
6. TIP-ON BLUMOTION support for synchronisation linkage
(required for cabinet widths of 750 mm and above)
7. Base support bracket
(required for cabinet widths of 750 mm and above)



➤ Fittings selection made easy with the online product configurator at www.blum.com/configurator

TIP-ON BLUMOTION units and TIP-ON BLUMOTION latch

Adjusted for weight ranges and nominal lengths, the TIP-ON BLUMOTION unit is available in designs of varying strengths. For easy differentiation, each version is a different colour. The latch can be universally used for all TIP-ON BLUMOTION units.



S0
 ≤ 10 kg
 NL 270–300 mm
 White



S1
 > 10–20 kg
 NL 270–300 mm
 Light grey



L1
 ≤ 20 kg
 NL 350–650 mm
 Light grey



L3
 15–40 kg
 NL 350–650 mm
 Dust grey

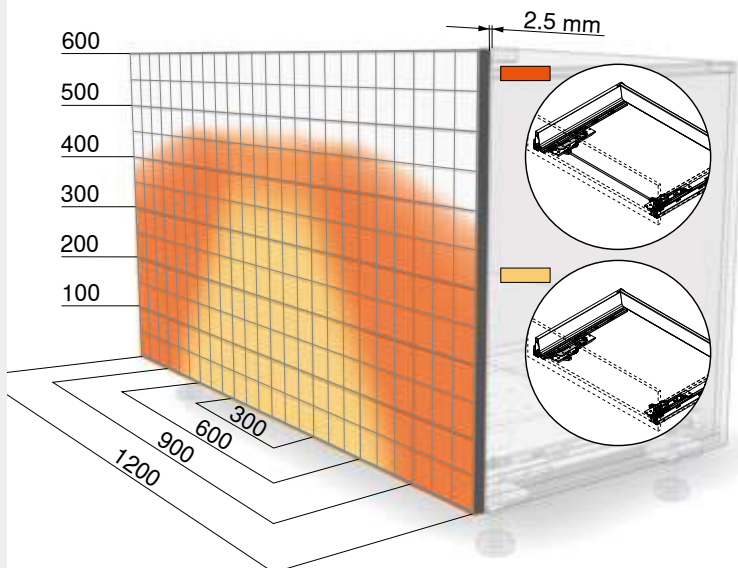


L5
 35–65 kg
 NL 350–650 mm
 Black

NL = Nominal length

TIP-ON BLUMOTION synchronisation

An extensive trigger range is achieved even with a low minimum front gap of just 2.5 mm. To achieve optimal function and to extend the trigger range, we recommend using a synchronisation.

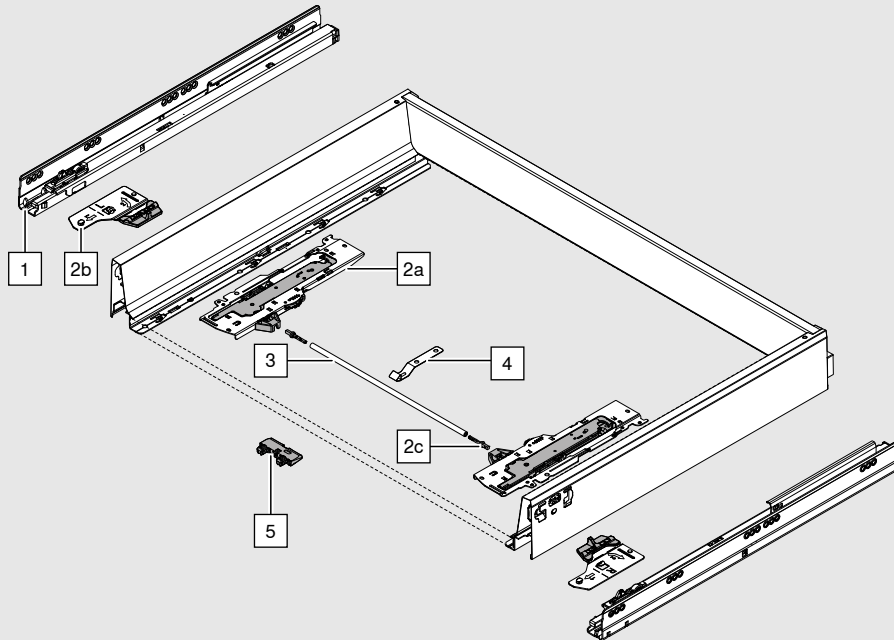


Shown in the diagram by way of example for height D, nominal length 500 mm with front stabiliser

TIP-ON BLUMOTION for TANDEMBOX

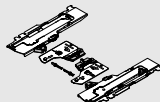


Order specification



1	TIP-ON BLUMOTION cabinet profile TANDEMBOX left/right		
	Nominal length (mm)	30 kg	65 kg
	270	578.2701M	
	300	578.3001M	
	350	578.3501M	
	400	578.4001M	
	450	578.4501M	576.4501M
	500	578.5001M	576.5001M
	550	578.5501M	576.5501M
	600	578.6001M	576.6001M
	650		576.6501M

Make the right calculations for your TIP-ON BLUMOTION unit using the product configurator. www.blum.com/configurator

2a + 2b + 2c	TIP-ON BLUMOTION-Set (unit, latch and synchronisation adapter)									
	Can be used for nominal length (mm)	Unit		Recommended weight ranges* for an optimum opening and closing function						
				< 10 kg	20 kg	30 kg	40 kg	50 kg	60 kg	65 kg
	270–300	S0	T60B3030	≤ 10						
		S1	T60B3130		>10–20					
	350–650	L1**	T60B3330	≤ 20						
		L3	T60B3530			15–40				
L5***		T60B3560					35–65			

* The weight specified here refers to the pull-out with front, with a load inside.


** Can only be combined with 30 kg cabinet profile (578.)

*** Can only be combined with 65 kg cabinet profile (576.)

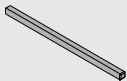
Order specification

TIP-ON BLUMOTION for TANDEMBOX


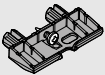

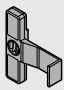



	TIP-ON BLUMOTION round synchronisation linkage for cutting to size	
	Possible with internal cabinet widths ≥ 287 mm	T60.1125W
	Suitable for internal cabinet widths of up to 1370 mm	

For narrow internal cabinet widths (alternative to synchronisation linkage and synchronisation adapter)

	TIP-ON BLUMOTION one-part synchronisation for cutting to size	
	Symmetrical, no synchronisation linkage required, for internal width of 238–286 mm	T60.300D

Accessories

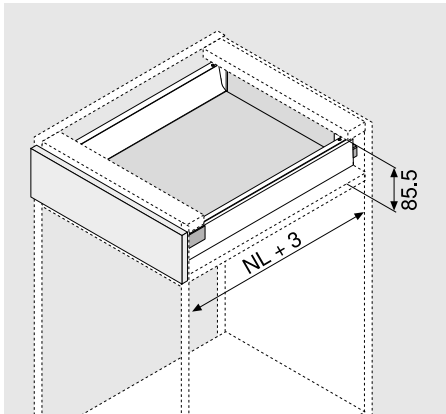
	4 Support for synchronisation linkage	
	Required for cabinet widths ≥ 750 mm	T60B000H
	For pull-outs over a cabinet base or cross member Prevents the synchronisation linkage from sagging	
	5 Base support bracket	
	Required for cabinet widths ≥ 750 mm	Z96.2011
	For pull-outs over a cabinet base or cross member For supporting the pull-out base	
	Front stabiliser	
	For stabilisation of high and wide fronts, two items needed per front.	Z96.10E1
	Gap checking/adjustment template for TIP-ON BLUMOTION TANDEMBOX	
	Setting the front gap to 2.5 mm	65.5627
	TIP-ON BLUMOTION synchronisation adapter	
	Symmetrical, in combination with synchronisation linkage, two items required per synchronisation linkage, for internal width ≥ 287 mm	T60.000D

TIP-ON BLUMOTION
for TANDEMBOX

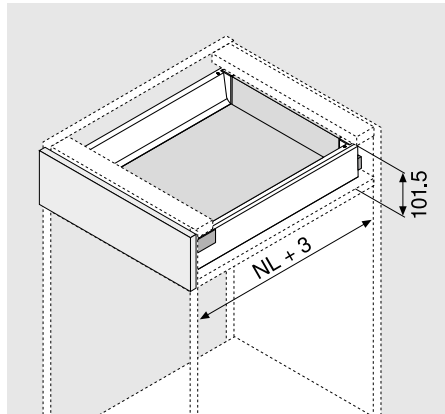


Space requirement valid for all
TANDEMBOX programme lines

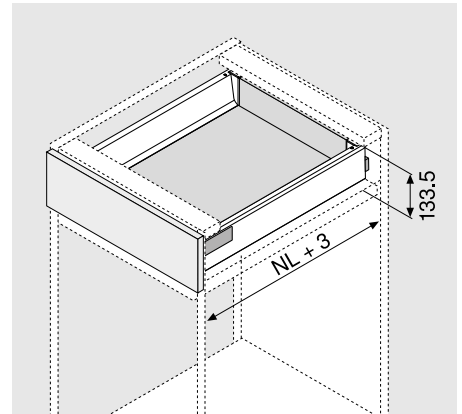
Drawer, height N



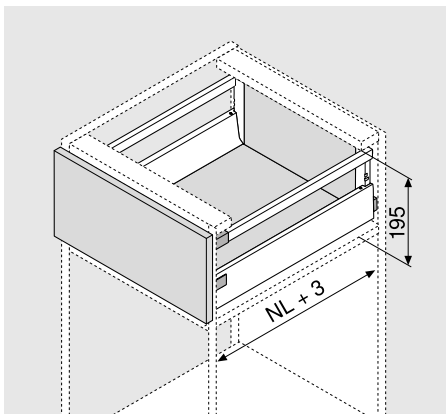
Drawer, height M



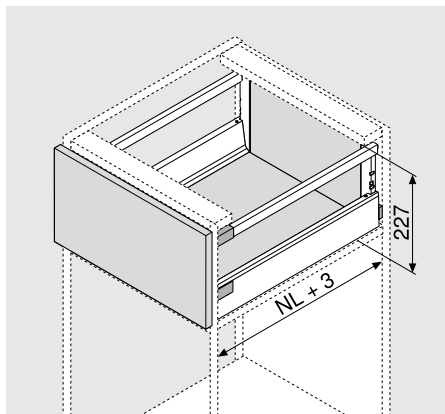
Drawer, height K



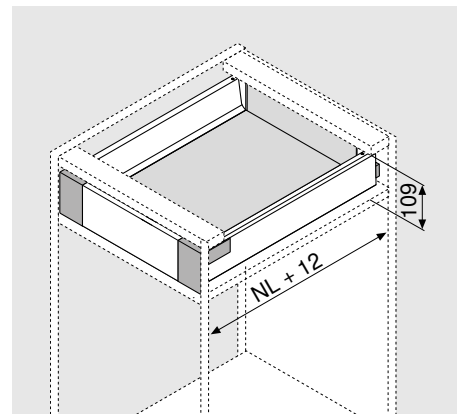
High fronted pull-out, height C



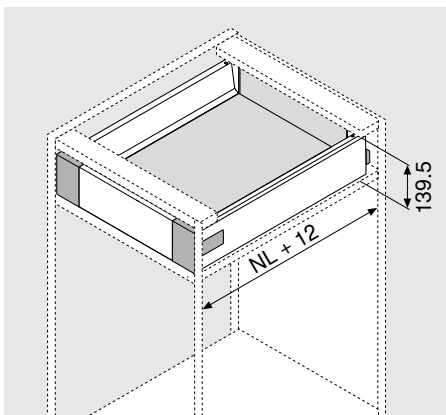
High fronted pull-out, height D



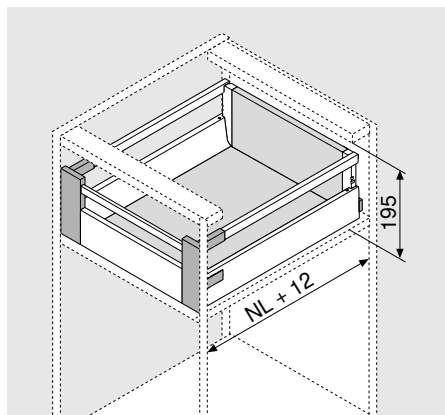
Inner drawer, height M



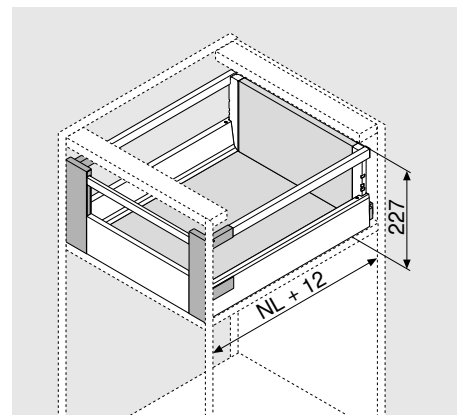
Inner drawer, height K



Inner pull-out, height C



Inner pull-out, height D

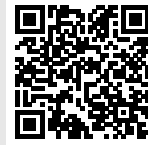


NL = nominal length

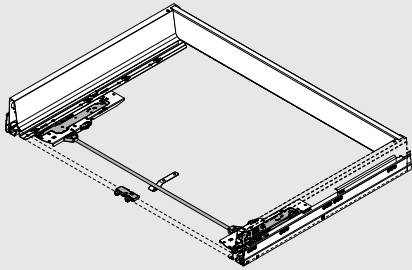
Note: The space requirement for TIP-ON BLUMOTION is different to that for BLUMOTION

Planning

TIP-ON BLUMOTION for TANDEMBOX

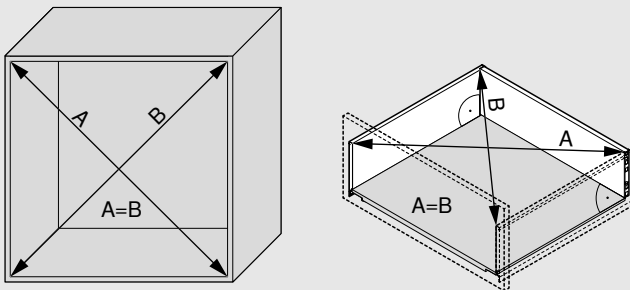


> For more information on
TIP-ON BLUMOTION
www.blum.com/tiponblumotion

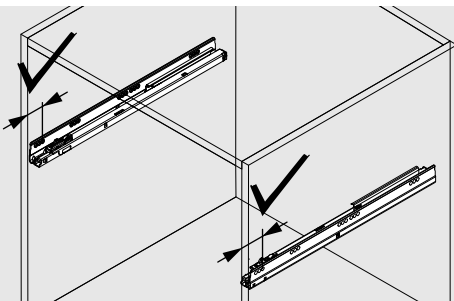


■ The following planning graphics are shown by way of example for a TANDEMBOX drawer with height M.

Furniture construction

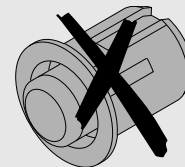


To ensure a front gap of at least 2.5 mm, precise manufacturing is required, so it should be ensured that planned measurements and angle accuracy are adhered to.



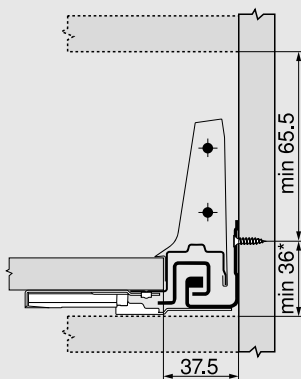
Observe exact depth position of both cabinet profiles.

Front assembly – do not assemble bumpers

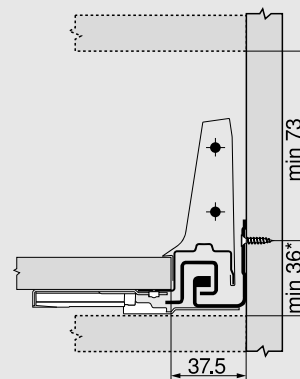


Bumpers should not be assembled for TIP-ON BLUMOTION!

Space requirements in the cabinet – drawer



Space requirements in the cabinet – inner drawer



* For 36–39 mm: Bear in mind the position of the base leg, support for synchronisation linkage and base support bracket required for cabinet widths of 750 mm and above (see page 31 and 32), in order to prevent a collision between the synchronisation linkage and the cabinet base or cross member. A trial application is recommended.

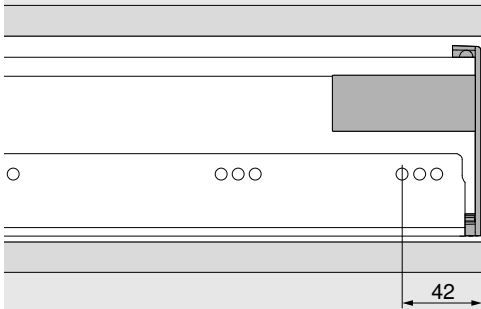
TIP-ON BLUMOTION for TANDEMBOX



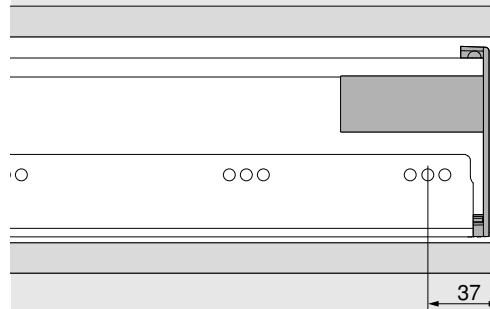
Planning

Screw position, TIP-ON BLUMOTION for inner drawers and inner pull-outs

Variant 1

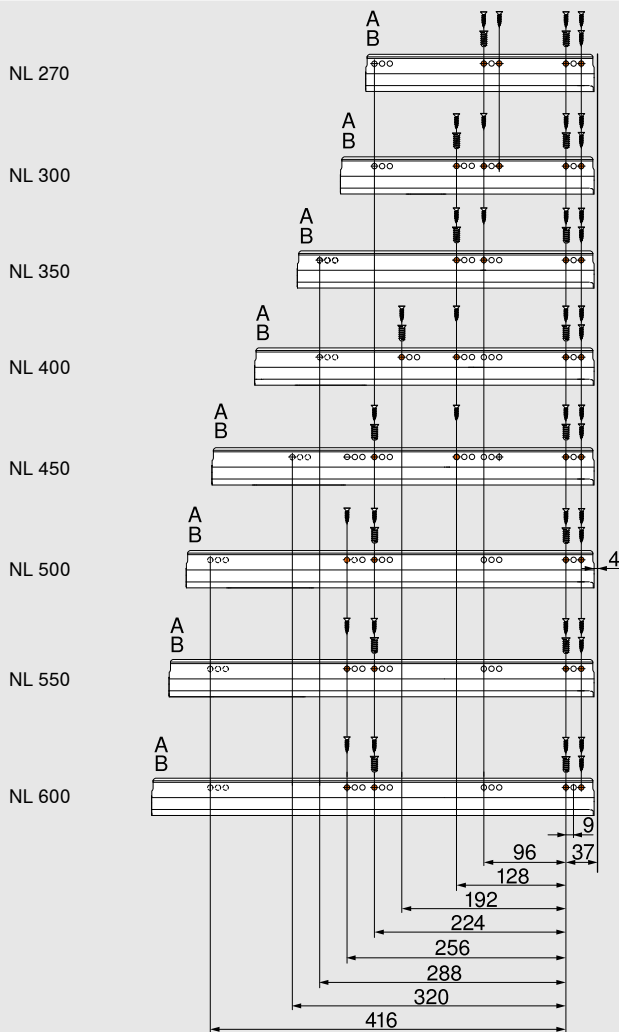


Variant 2



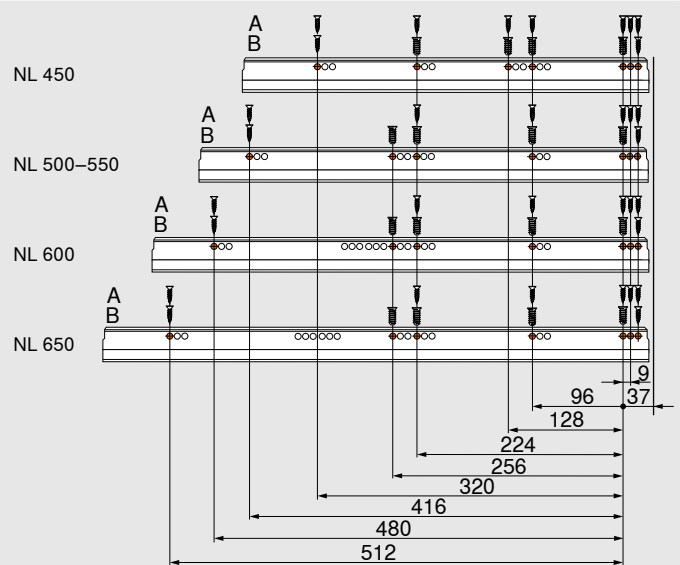
Cabinet profile screw position – 30 kg

Nominal length NL (mm)



Cabinet profile screw position – 65 kg

Nominal length NL (mm)



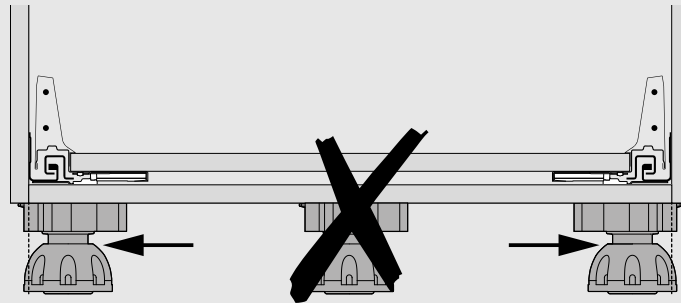
Fixing onto cabinet

- A Chipboard screw \varnothing 3.5 x 15 mm
- B System screw

609.1500

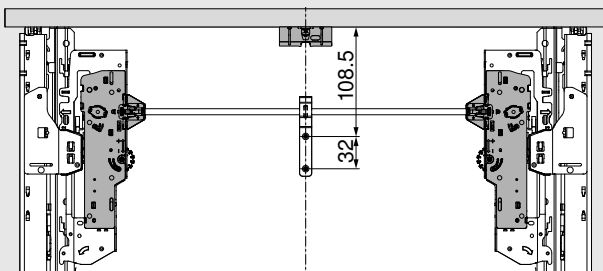
661.1450.HG

Base leg

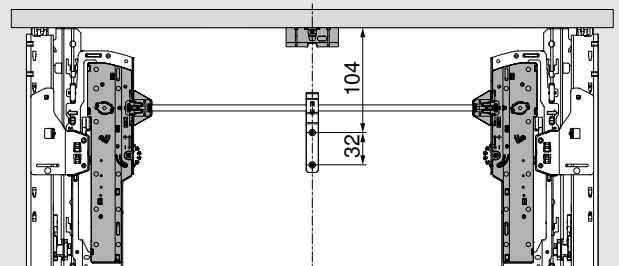


Support for synchronisation linkage

Required for cabinet widths ≥ 750 mm



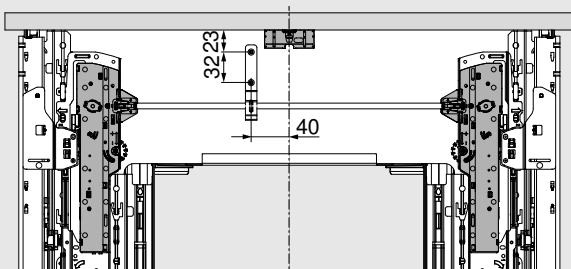
TIP-ON BLUMOTION units S0, S1 (NL < 350 mm)



TIP-ON BLUMOTION units L1, L3, L5 (NL ≥ 350 –650 mm)

Support for synchronisation linkage in sink cabinets

Required for cabinet widths ≥ 750 mm



TIP-ON BLUMOTION units L1, L3, L5 (NL ≥ 350 –650 mm)

Fixing onto cabinet

Chipboard screw $\varnothing 3.5 \times 15$ mm

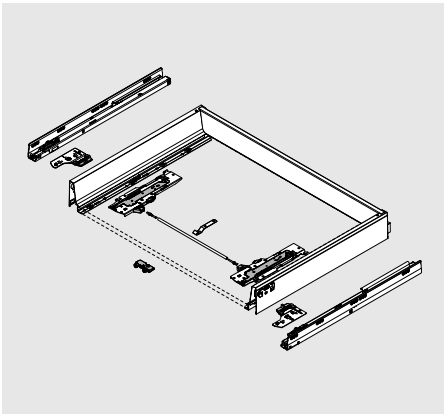
609.1500

TIP-ON BLUMOTION for TANDEMBOX



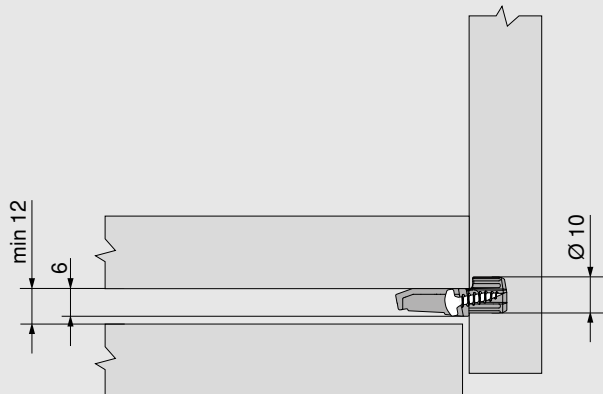
Planning

Base support bracket

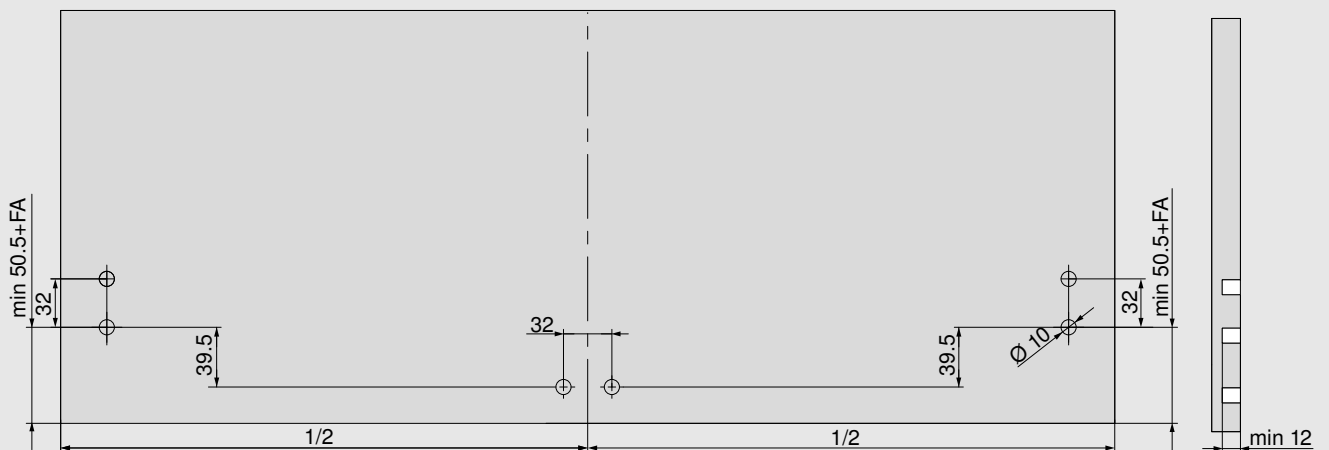


- For supporting the pull-out base
- Required for cabinet widths ≥ 750 mm
- For pull-outs over a cabinet base or cross member

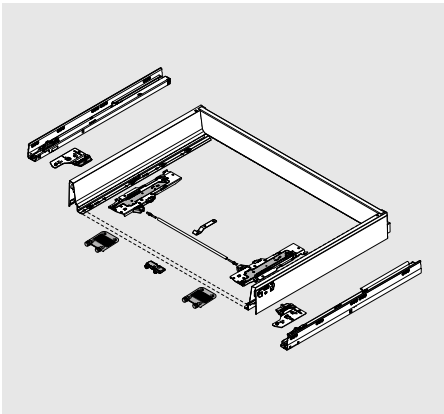
Space requirements in the cabinet – base support bracket



Drilling distance in the front – base support bracket

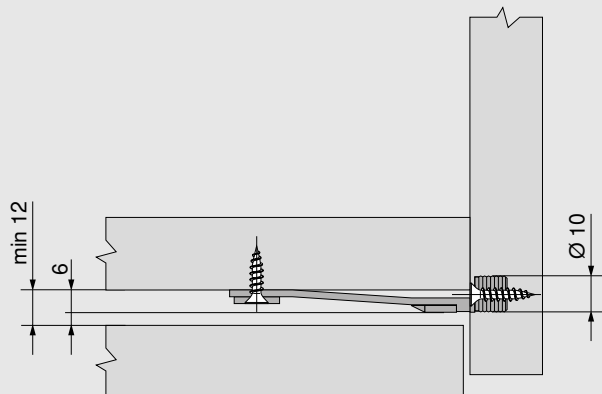


Front stabilisation to stabilise cabinet widths ≥ 750 mm and front heights ≥ 400 mm

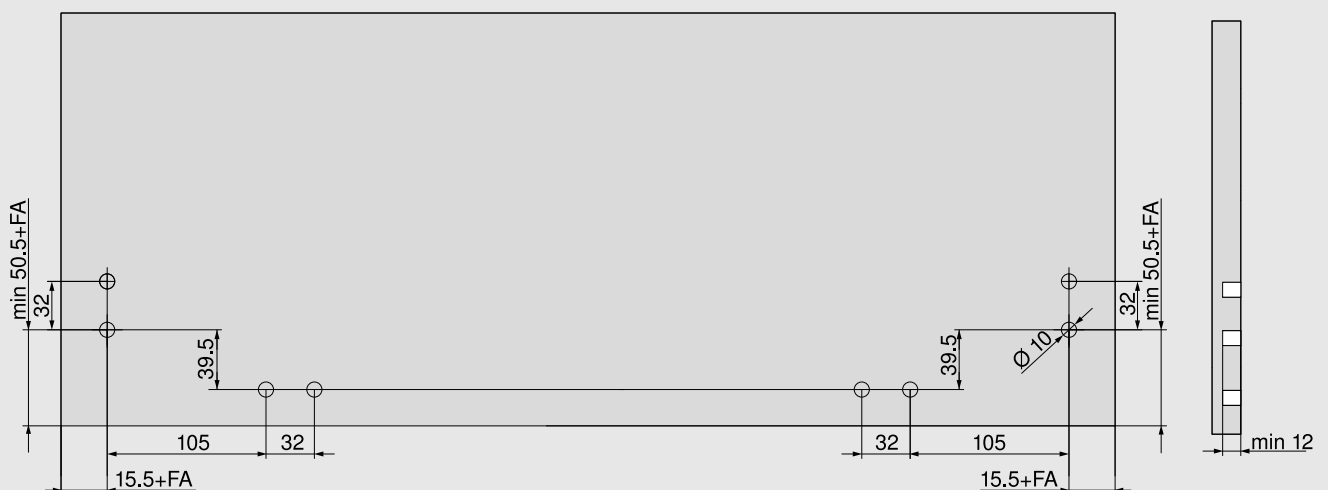


- Reinforces the connection between the drawer side and the front

Space requirements in the cabinet – front stabiliser



Drilling distance in the front – front stabiliser

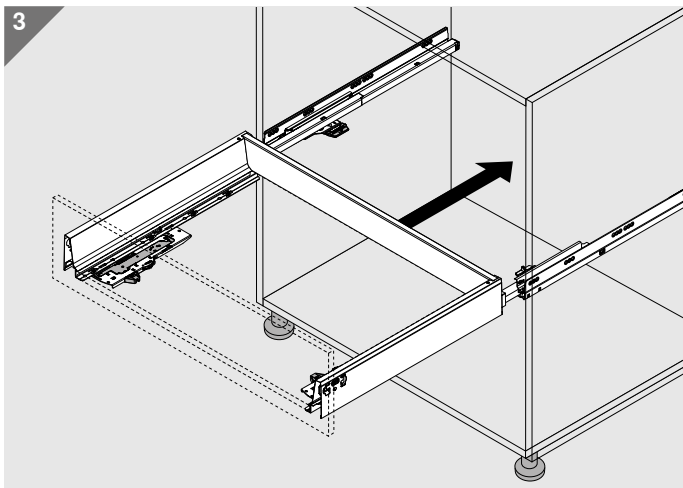
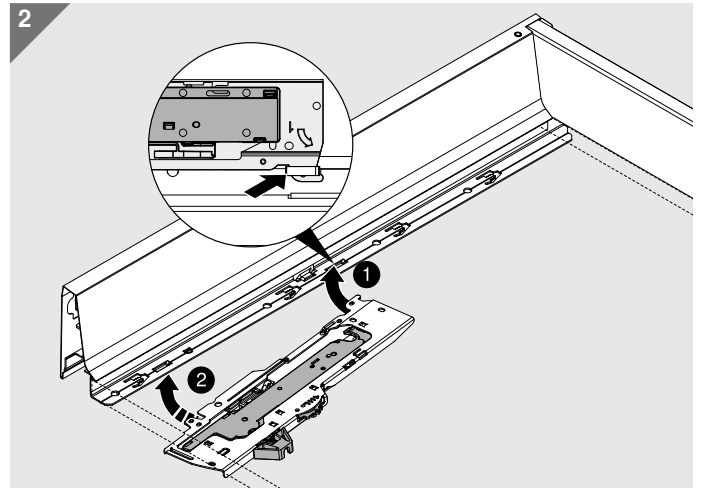
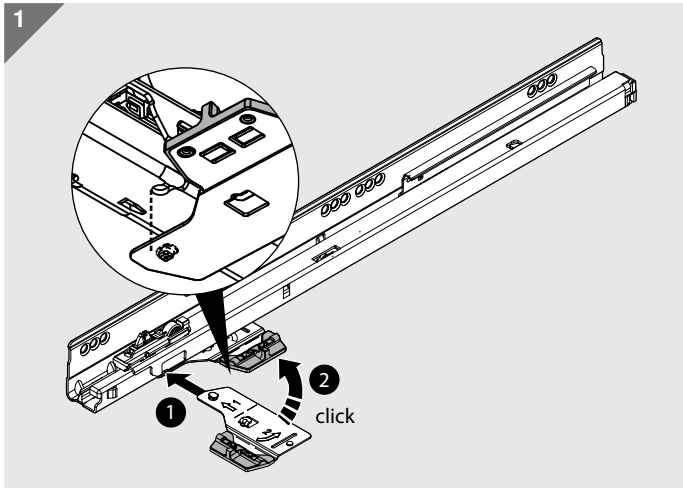


TIP-ON BLUMOTION for TANDEMBOX

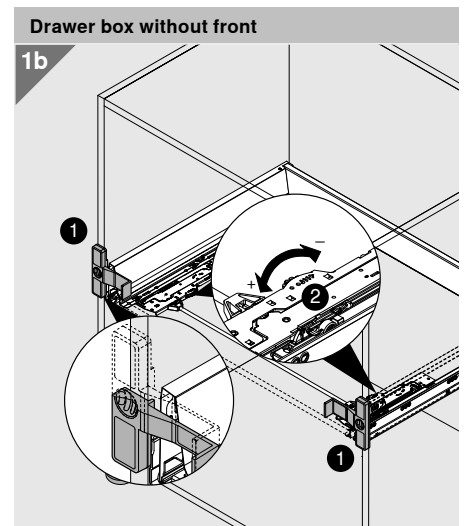
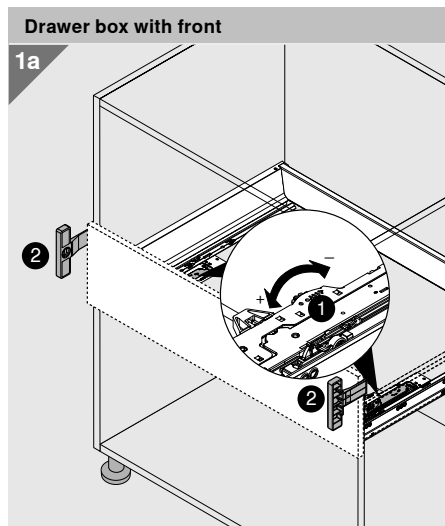
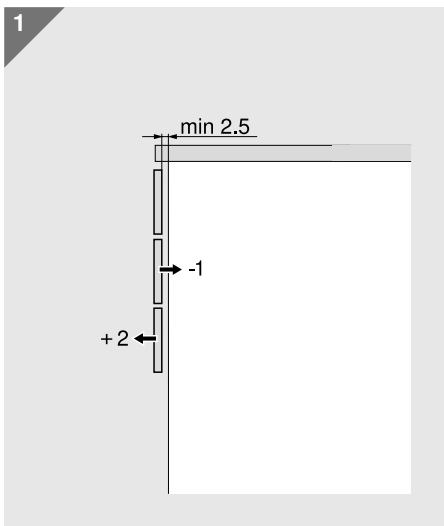


Assembly

TIP-ON BLUMOTION

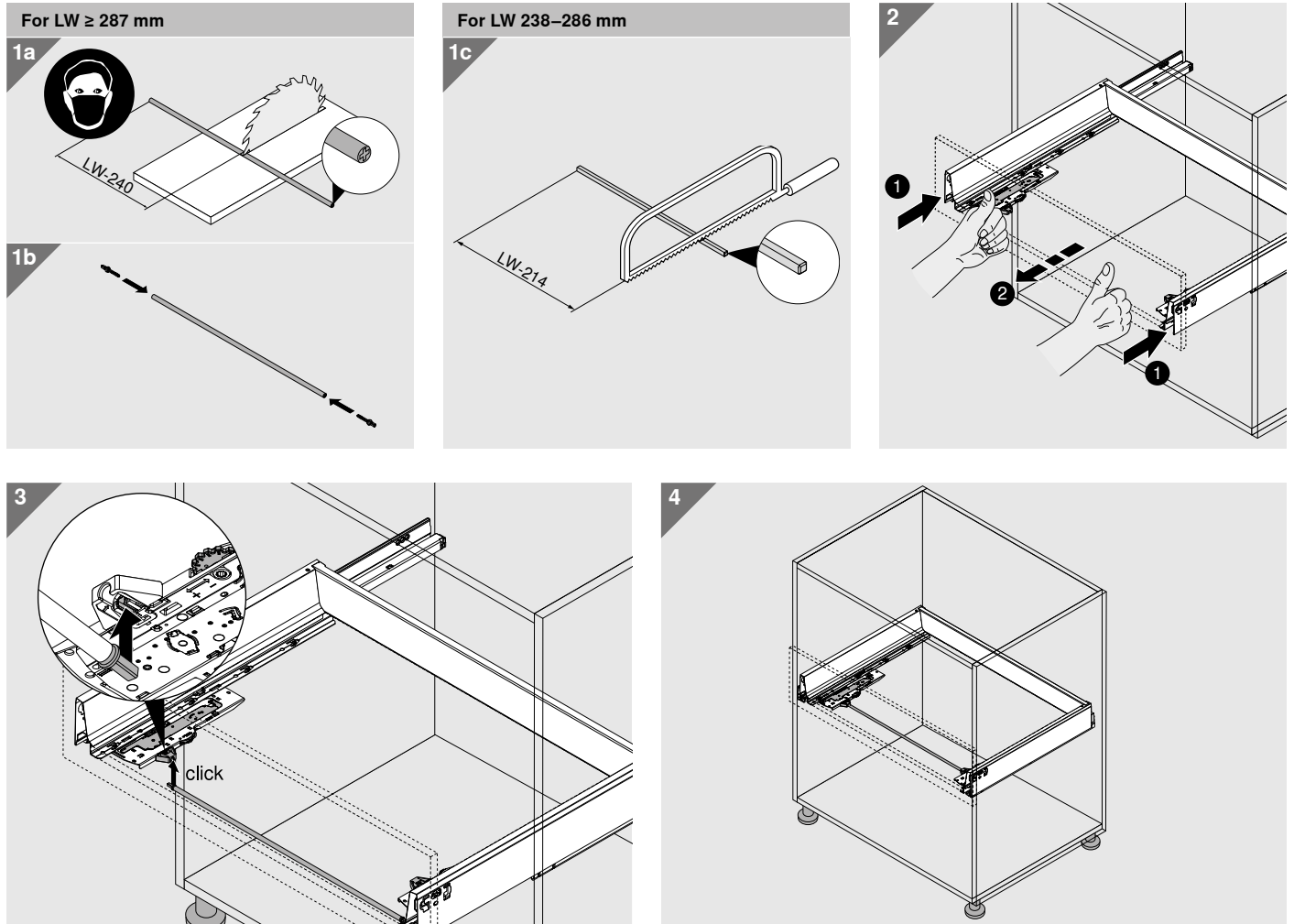


Depth adjustment

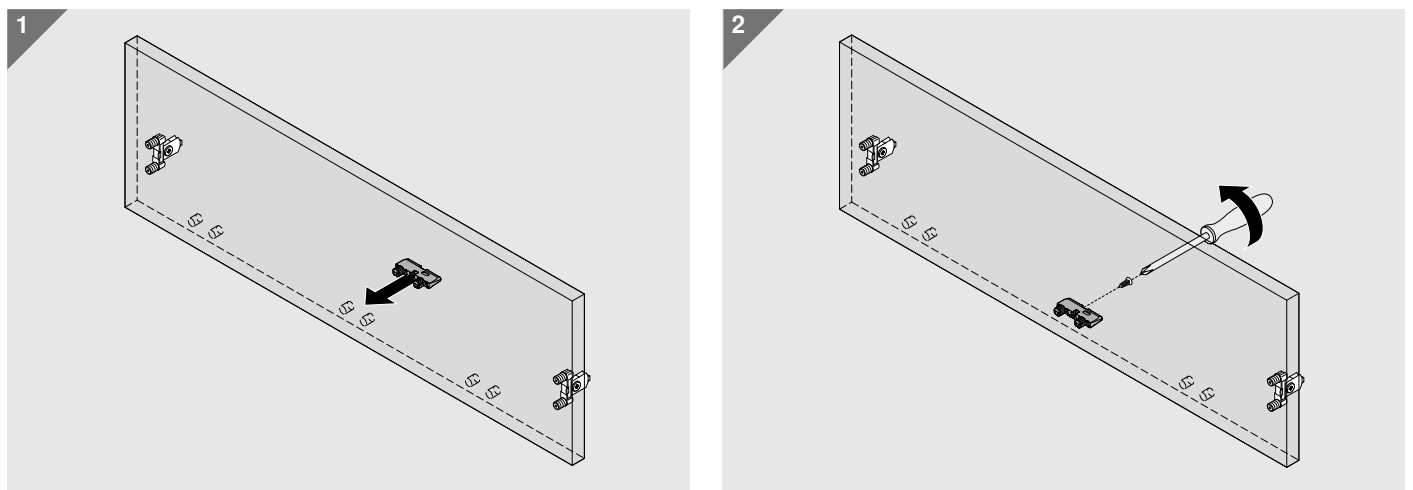


Adjust identically on each side to a minimum of 2.5 mm

Synchronisation



Base support bracket required for cabinet widths of 750 mm and above



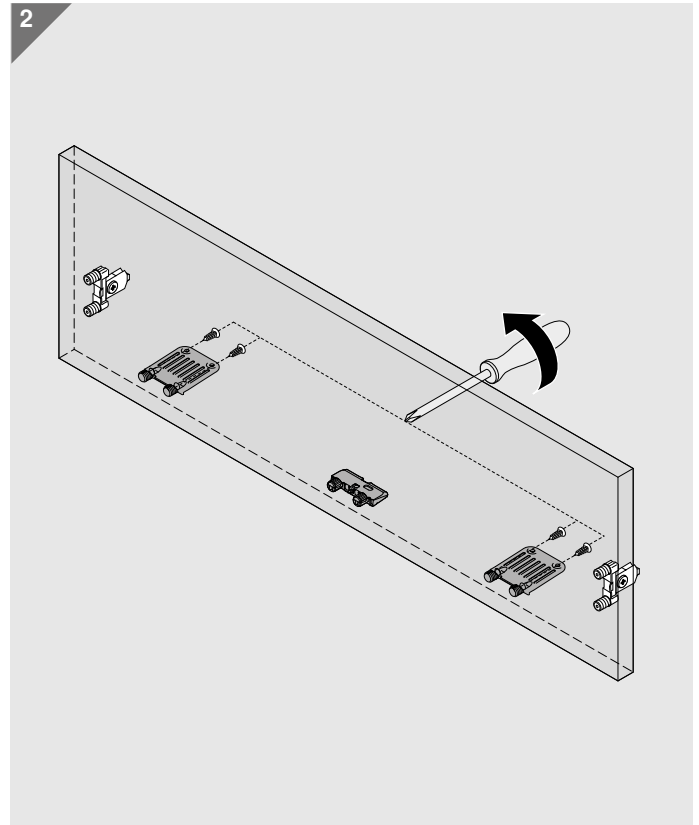
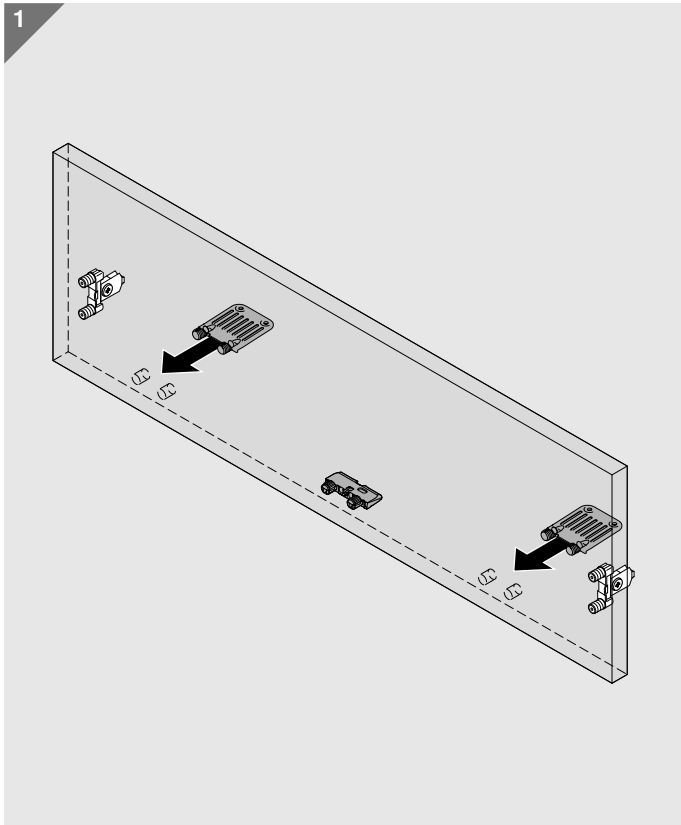
LW Internal cabinet width

**TIP-ON BLUMOTION
for TANDEMBOX**

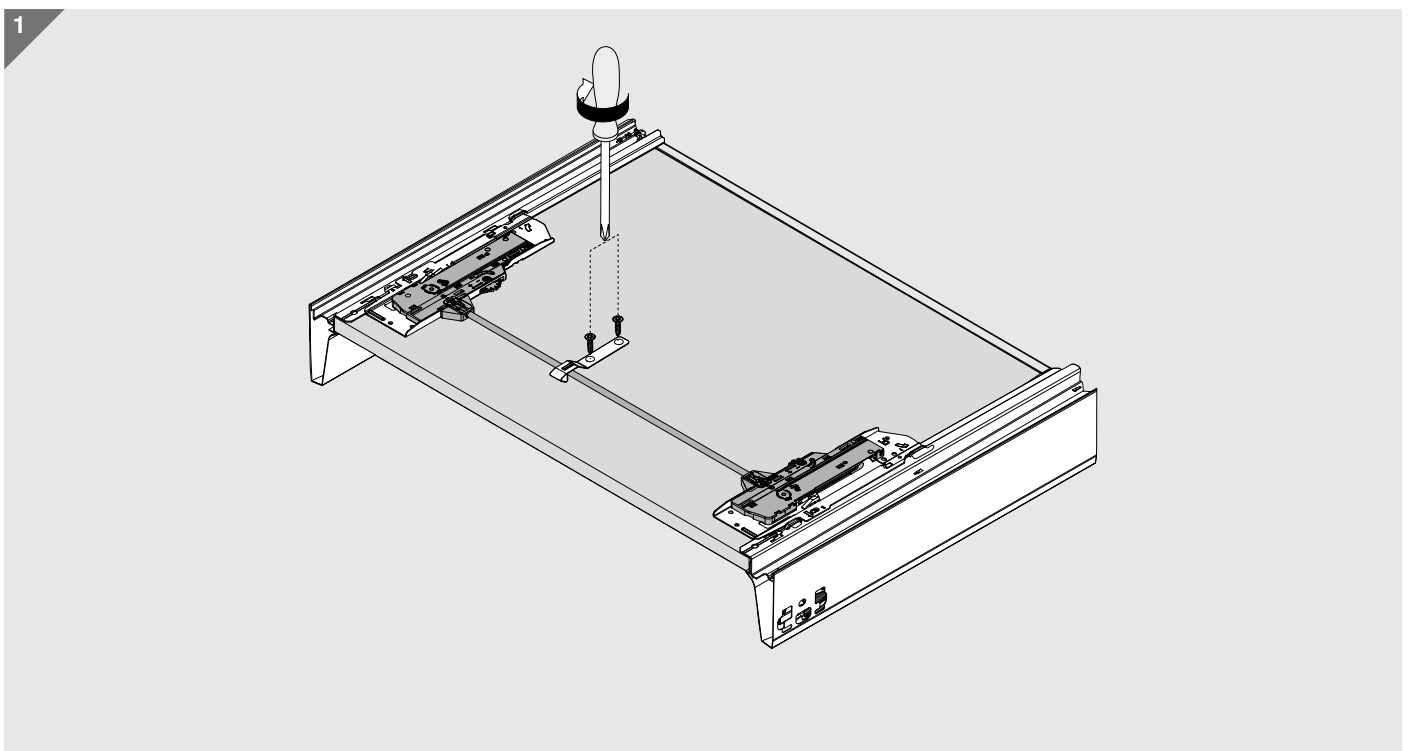


Assembly

Front stabilisation to stabilise cabinet widths ≥ 750 mm and front heights ≥ 400 mm

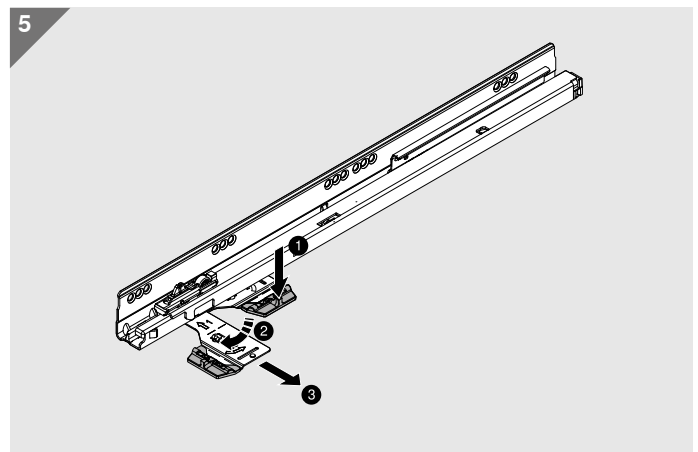
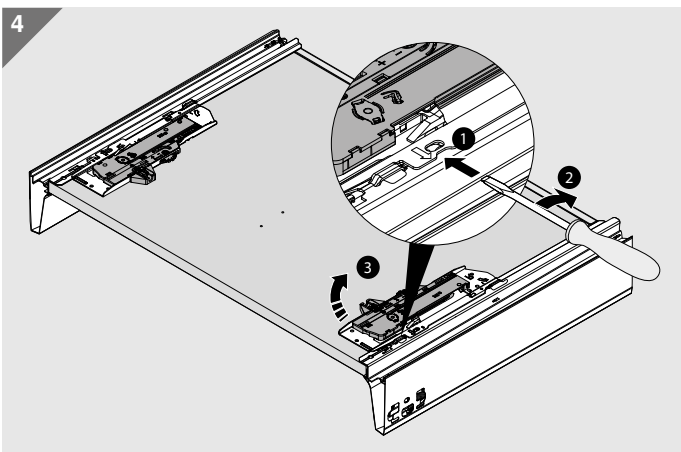
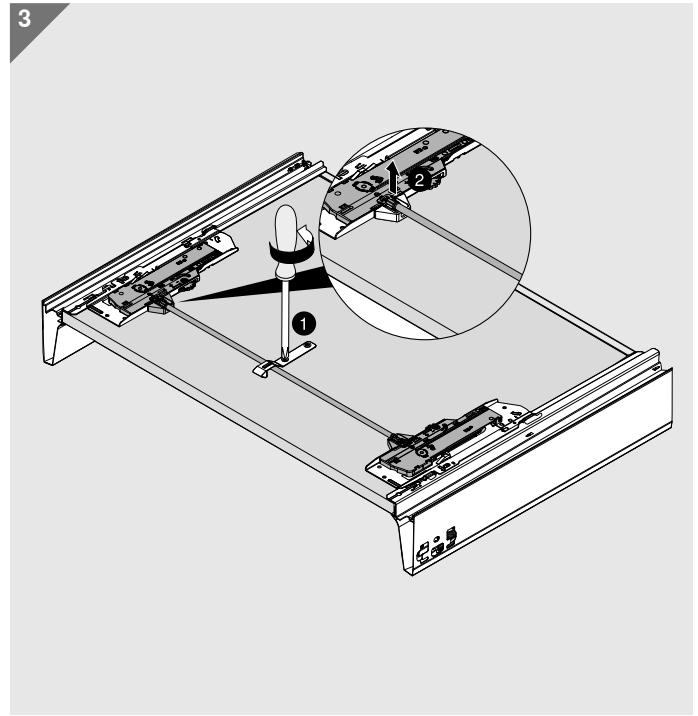
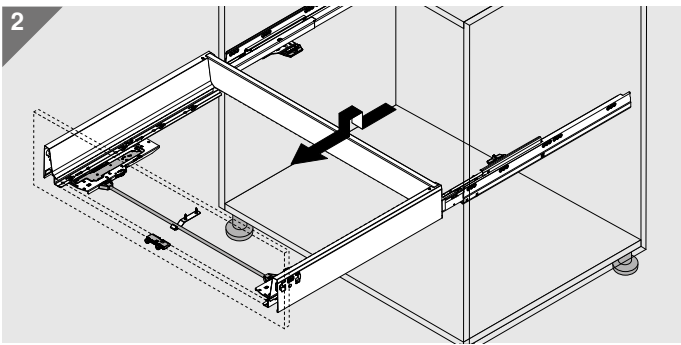
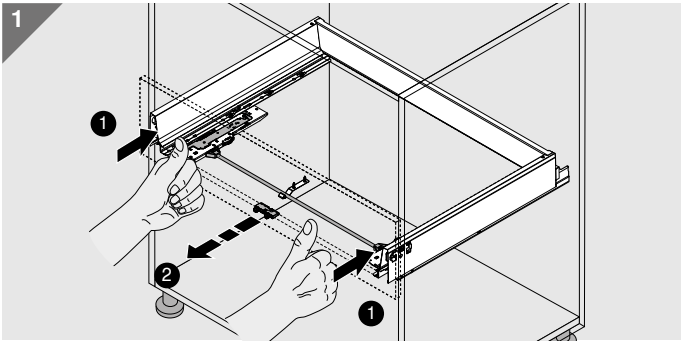


Support for synchronisation linkage required for cabinet widths of 750 mm and above



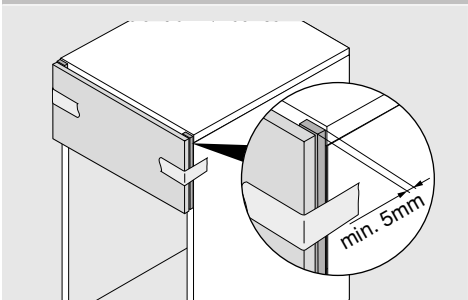
Removal Transportation

TIP-ON BLUMOTION for TANDEMBOX

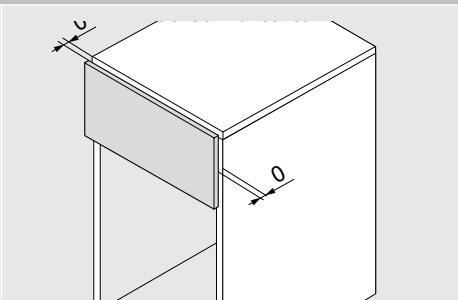


Transportation

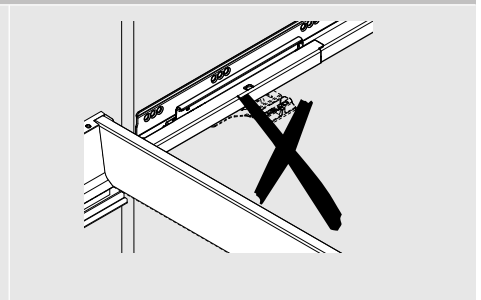
To prevent damage to pre-assembled furniture during transportation:



a) clamp an insert between front and cabinet or



b) adjust the front gap to 0 mm or



c) transport without latch.

The company Blum

Founded over 60 years ago by Julius Blum, Blum is a family-owned company that operates on an international scale. Its strategic business segments include lift, hinge and pull-out systems. All our product developments focus on perfecting motion.

www.blum.com

 **blum**





Blum in Austria and around the world

The company has seven plants in Vorarlberg, Austria, additional production sites in Poland, the USA and Brazil and 29 subsidiaries/representative offices. Blum supplies more than 120 markets. The Blum Group employs 7.300 people in total, 5.500 of whom work in Vorarlberg.



Global customer benefits

“Whether manufacturer, distributor, fitter or kitchen user – everybody should personally enjoy the benefits of Blum products” – that is Blum’s philosophy on global customer benefits.



Innovations

To support customers with innovative fittings solutions and secure long-term success for the company, we need to consistently invest in research and development, in plants and facilities and in employee training. With more than 2.600 patents worldwide, Blum is one of Austria’s most innovative companies.



Quality

Blum’s comprehensive concept of quality does not only apply to products. Services and collaboration with customers and partners should also meet the same quality requirements.



Environment

At Blum, we believe that responsible ecological behaviour has long-term economic benefits. The longevity of products is just one of many important aspects. Other important measures include the use of environmentally-friendly processes, the intelligent use of materials and prudent energy management.



DYNAMIC SPACE

Good workflows, optimum use of storage space and top quality motion are important features of a practical kitchen. Blum’s ideas for practical kitchens are designed to bring function, convenience and ergonomics to furniture interiors.



Julius Blum GmbH
Furniture Fittings Mfg.
6973 Höchst, Austria
Tel.: +43 5578 705-0
Fax: +43 5578 705-44
E-mail: info@blum.com
www.blum.com

