

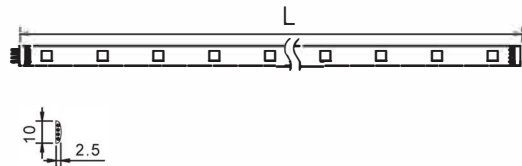
# RGB Colour Changing LED Flexible Strip



## Specification:

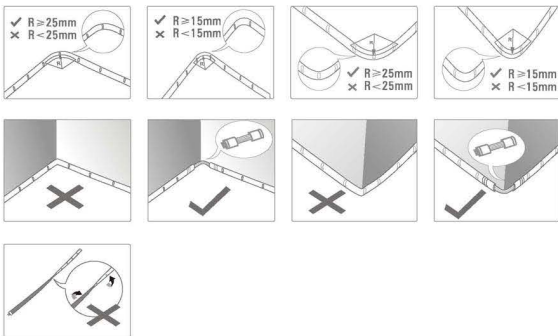
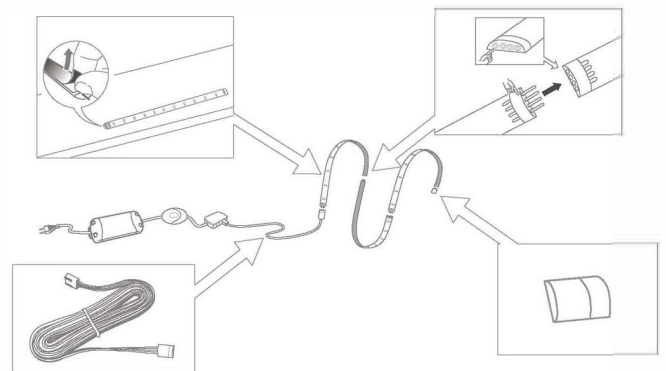
Wattage: 1.8W/10W  
 Voltage: 24V ■  
 LED Qty: 12/72  
 LED Colours: Various (7 pre-set colours)  
 Life Span: 50,000 hours  
 Beam Angle: 120 degrees  
 Lengths: 330mm/2000mm  
 IP Rating: IP20

## Product dimensions in mm



## Installation:

Strips have 3M self-adhesive backing for quick and simple installation. Strips are inter-linkable and can be cut to size if required. Simple connection system, requiring only one driver and driver lead per total run of strips, and the chosen control options (either Remote and Receiver(s) or Inline Switch).



## Key Selling Points:

- 7 pre-set colours: white, red, green, violet, pink, cyan and yellow.
- Use with the RGB Remote Control and Receiver(s) to create the effect or choose the colour that is perfect for you at the touch of a dial.
- Or use the RGB Inline Switch for shorter runs.
- Quick and easy installation - strips have 3M self adhesive backing.
- Can be cut every 165mm (the cut-off piece cannot be re-used).
- All you need to install is an adequate number of strips, driver connection lead and driver (one per run of strip) and controller(s).