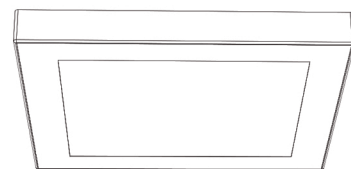


**INSTALLATION  
INSTRUCTIONS**

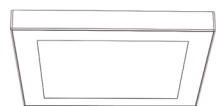
Alti  
Square Prismatic  
LED Light



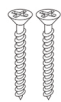
**CODE: SE21006C0/SE21006W0**

**IMPORTANT:** Please read these instructions before commencing installation and retain for future reference

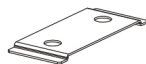
**Components**



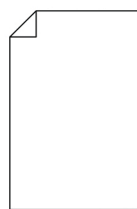
1 x Square prismatic  
light



2 x screws



1 x mounting clip



1 x instructions

**Tools Required**



ruler



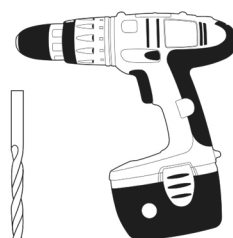
pencil



screwdriver



9-11mm drill bit



power drill

**Important Safety Information**

Please read these instructions carefully before attempting to install this product. It is advisable to keep these instructions in a safe place for further reference.

**We recommend that you consult a qualified electrician.**  
**All electrical installations must be carried out in accordance with current IEE wiring regulations (BS7671).**

These products must not be modified, if any modifications are made it may invalidate the warranty and may render the product unsafe. These LED lights operate low voltage (24V).

**Do not wire the individual LED light fittings directly to the mains.**  
**This fitting is for indoor use only.**

- If in doubt installation must be carried out by a qualified electrician.
- Install on smooth flat surface(s) only.
- The wattage of this product is 3.5W. Make sure that the LED driver used with these fittings has an adequate max wattage.
- We recommend using the SE40555 15W LED Driver with this fitting. You will be able to run a maximum of 4 fittings per driver. Alternatively, used the SE40556 30W LED Driver. A maximum of 8 fittings can be run from this driver.
- Do not exceed or stretch the cable length of each wire.

**Safety Instructions**

1. Before commencing installation or maintenance, isolate the main electrical supply for the appropriate circuit at the fuse board.
2. This product is suitable for connecting to a 240V 50Hz supply/ with use of a driver.
3. The lights should be mounted onto a secure surface
4. Position the fitting where it will not be exposed to steam or splashes etc.
5. Suitable for furniture lighting.
6. When the lamp expires the fitting must be replaced.

**Waste Electrical & Electronic Equipment (WEEE)**

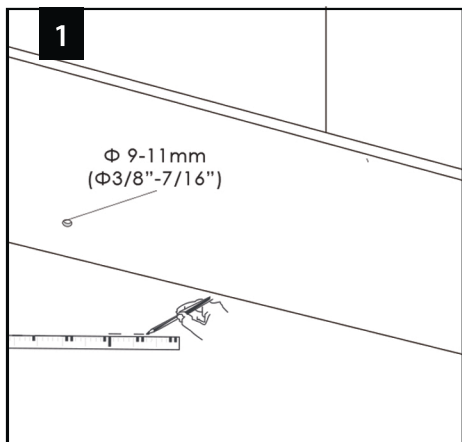
The symbol on the product, or on the document accompanying the product, the crossed out wheelee bin symbol, indicates that this product may not be treated as household waste. Instead it should be handed over to the applicable collection point for recycling or electrical and electronic waste.



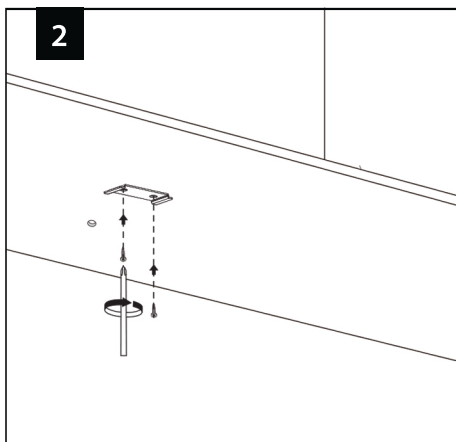
**RoHS**  
Compliant ✓



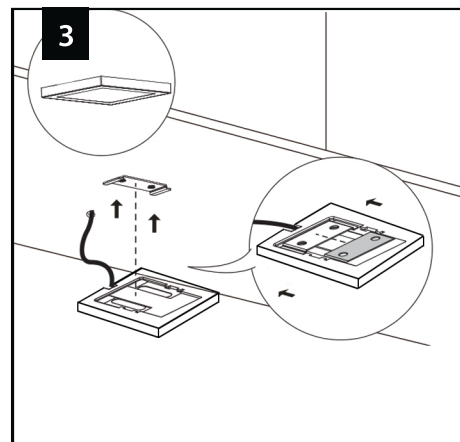
## Installation



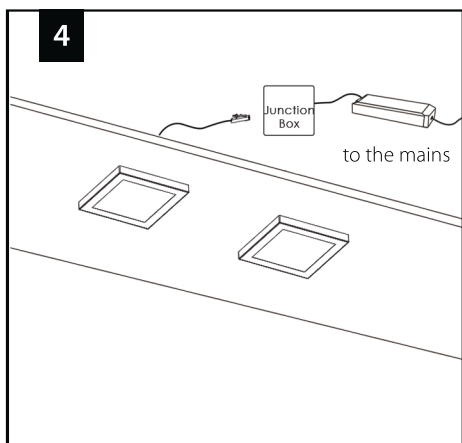
Create a 9-11mm hole in the underside of the cabinet. This is for the light fittings cable to feed through.



Fix the mounting bracket in your desired location to the underside of the cabinet using the 2 screws provided.

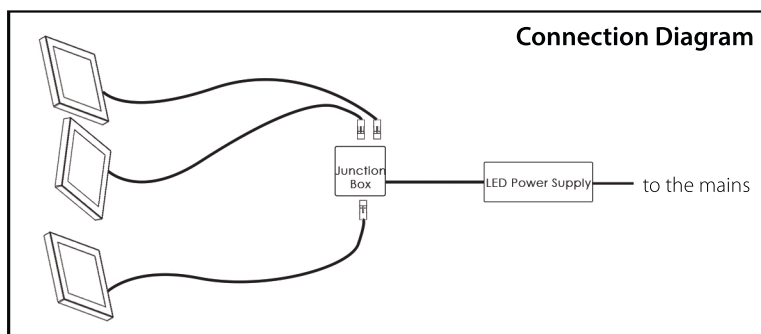


Slide the light fitting onto the mounting bracket.



Connect the fittings to the junction box on the driver. Finally, connect the driver to the mains supply and turn the electricity on.

**Beware not to exceed the maximum wattage of the LED driver. The maximum wattage is displayed on the driver.**



## Maintenance & Care

- Ensure that the power is disconnected prior to cleaning.
- To keep the finish of this product, wipe over with soft cloth periodically.
- Do not use harsh chemical solvents, this may dis-colour or damage the finish.