



Kitchen wirework 71

Bedroom wirework 76





HPP's comprehensive range of wirework offers a high quality solution to kitchen storage. Innovative touches such as the unhandled Easy Corner and integrated Blumotion runners make this range a must for today's kitchen.

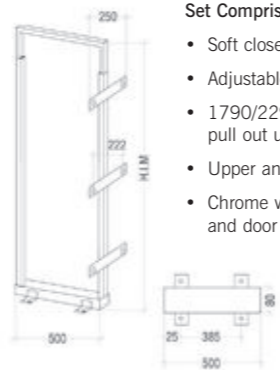


**Centre mounting larder unit**

To suit 300mm cabinet	TL300S
To suit 400mm cabinet	TL400S
To suit 500mm cabinet	TL500S

**Set Comprises:**

- Soft close.
- Adjustable pull out frame - 500 mm depth.
- 1790/2290 mm high set of slides for pull out unit.
- Upper and bottom full extension slide.
- Chrome wire baskets complete with nylon clips and door brackets.



**new** soft close + easy slide

**Larder unit accessories**

Can be used in addition too or in place some of the baskets supplied with tall larder units.

**Bottle holder** - for TL300S larder unit, stores up to 8 bottles.

240 x 407 x 410mm (wxdxh) CC30PBC

**Pivoting basket** - for TL300s larder unit. Reversible so can open to the left or right.

240 x 405 x 123mm (wxdxh) CC30EBC



Centre mounting larder unit



**Swing out chef's pantry** - for 400mm unit  
350 x 485 x 1740mm (wxdxh) CP400

- Comes complete with five inner and five door baskets.
- 180 degree opening.
- Working load upto 80kg.
- Fully reversible for use in both left and right hand situations.
- Built in gas piston for smooth soft close action.

**new** soft close + easy slide



Chef's pantry - image shows 2 x CP400 used as a pair.

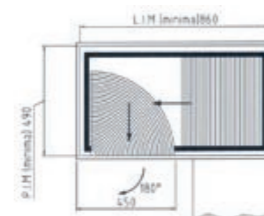


Wire drawer, chrome

**Easy Corner pull out mechanism - chrome**

With 3 full extension baskets in the inner frame and 2 baskets on the cabinet door, complete with extension plate for a frame door. Universal.

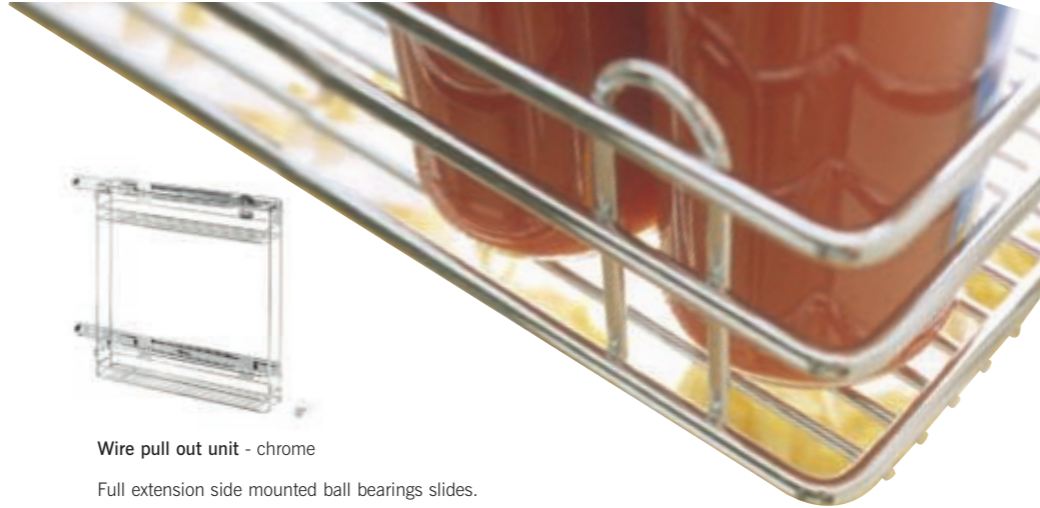
3 inner & 2 door baskets 860x490x640(wxdxh) NECT32



- Make the most of hard to reach places with our innovative Easy Corner.
- Opens in one smooth motion.
- Full extension baskets.
- Easy to install.
- Universal for left or right hand fitting.



Wire pull out unit, chrome



**Wire pull out unit - chrome**

Full extension side mounted ball bearings slides.

Code	Product	Dimensions
ELT152	Two baskets for 150mm cabinet width	110x464x480(wxdxh)
ELT302	Two baskets for 300mm cabinet width	240x464x480(wxdxh)



Wire pull out unit, chrome

**Wire pull out unit - chrome**

Full extension side mounted runners (BLUM) with integrated Blumotion. For 150mm cabinet width.

Code	Product	Dimensions
ELQBM152DX	Two baskets, right hand	125x464x480(wxdwh)
ELQBM152SX	Two baskets, left hand	125x464x480(wxdwh)

- Side mounted.
- Full extension runners.
- Integrated Blumotion provides luxurious soft closing.



Wire pull out unit, chrome

**Wire pull out unit - chrome**

Full extension bottom mounted runners (BLUM) with integrated Blumotion. Door brackets 280mm height included.

Code	Product	Dimensions
EGTBM30B2	Two baskets for 300mm cabinet width	235x450x522(wxdxh)
EGTBM30B3	Three baskets for 300mm cabinet width	235x450x522(wxdxh)

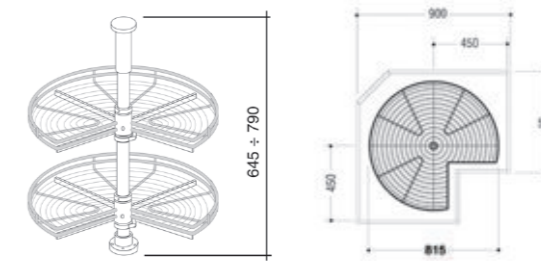


Wire 3/4 carousel, chrome

**Wire 3/4 carousel, chrome**

Set of 2 carousels and one tube, with blocking kit (chromium plated bushings and nylon rings).

Code	Product	Dimensions
CG734	715mm diameter	715x645/790(Øxh)

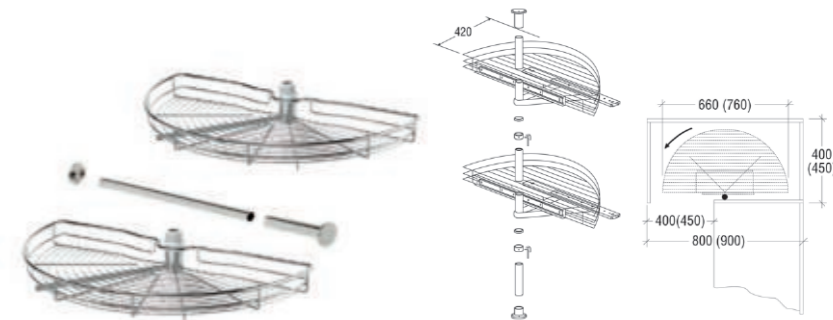


Wire 1/2 carousel, chrome

**Wire 1/2 carousel, chrome**

Set of 2 carousels, with adjustable support shaft and blocking kit (chromium plated bushings and nylon rings).

Code	Product	Dimensions
KCM760T	760mm diameter	760x450x645/790(wxdxh)



**Wire drawer, chrome**

Full extension runners (BLUM) with integrated Blumotion and adjustable drawer brackets 148mm height.

Code	Product	Dimensions
CCTBM240S1	For 400mm cabinet width	364/368x450x170(wxdxh)
CCTBM250S1	For 500mm cabinet width	464/468x450x170(wxdxh)
CCTBM260S1	For 600mm cabinet width	564/568x450x170(wxdxh)



Wire drawer, chrome

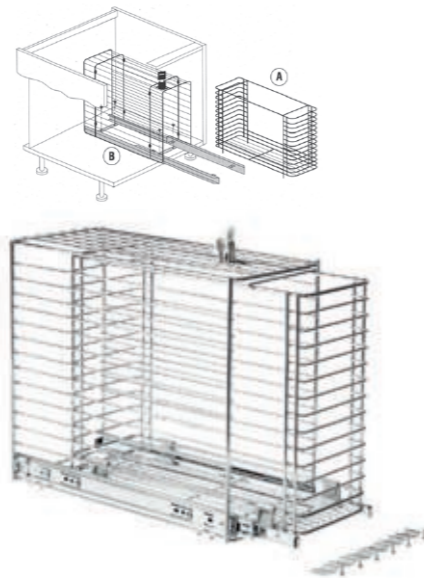




Wire basket with safety lock - chrome

Code	Product	Dimensions
CP140	Safety lock & full extension slides	205x450x440(wxdxh)

- Excellent safety feature.
- Keep harmful chemicals locked away from children.



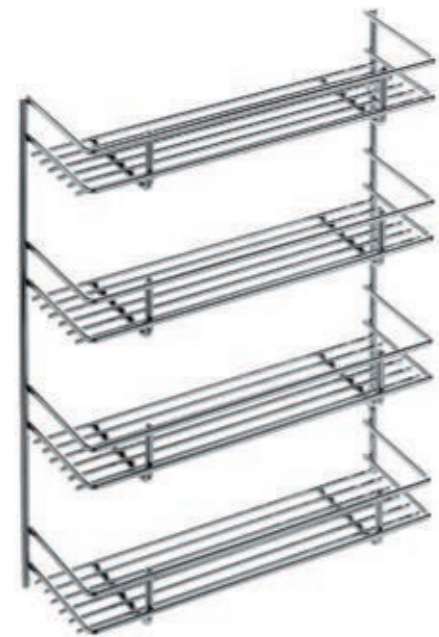
Wire basket with safety lock, chrome



Storage which is altogether more organised

In today's design driven world making the most of space is key. HPP's bedroom wirework range offers all the flexibility you need to create the perfect solution whatever the situation.

Adjustable wardrobe frames from 410-1100mm wide can be filled with a variety of mix and match accessories and complemented perfectly with a range of pull outs, giving a finish entirely suited to the end user.



Door accessory unit

Code	Product	Dimensions
PAA03	Three baskets and fixing kit	320x100x395(wxdxh)
PAA04	Four baskets and fixing kit	320x100x395(wxdxh)

Door accessory unit, four baskets





Adjustable wardrobe frame accessories

User guide

For standard carcass widths using 15mm gables.

Carcass width	Frame Required	Free width
450mm	AT41/55AL	330mm
500mm	AT41/55AL	380mm
600mm	AT55/69AL	480mm
700mm	AT55/69AL	580mm
800mm	AT69/83AL	680mm
900mm	AT83/97AL	780mm
1000mm	AT97/110AL	880mm
1100mm	AT97/110AL	980mm

See page 80 for bedroom wirework kits

For non standard carcass widths

- 1: Choose the frame that suits your internal carcass width.
- 2: Take off 90mm.
- 3: This gives you your free width which can be filled with one or more compatible accessory.

Adjustable wardrobe frame

Code	For inner carcass	Product	Dimensions
AT41/55AL	410-550mm	Leaving free inner gap 320 to 460 mm	520x70(dxh)
AT55/69AL	550-690mm	Leaving free inner gap 460 to 600 mm	520x70(dxh)
AT69/83AL	690-830mm	Leaving free inner gap 600 to 740 mm	520x70(dxh)
AT83/97AL	830-970mm	Leaving free inner gap 740 to 880 mm	520x70(dxh)
AT97/110AL	970-1100mm	Leaving free inner gap 880 to 1010 mm	520x70(dxh)



new easy slide

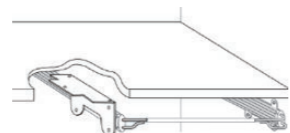
Can be used with one or more accessories

Support plate to fix under shelf frame side



Support plate to fix under shelf frame side

Code	Product	Dimensions
ASU	Support plate to fix under shelf frame side	150x60x113(wxdxh)



- Allows an adjustable wardrobe frame to be fitted at any point under a shelf.



Wire basket, with plastic clips & epoxy coating  
Must be used with adjustable wardrobe frame.



Wire basket, with plastic clips & epoxy coating

Code	Width	Dimensions
ACF32AL	320mm	320x520x145(wxdxh)
ACF40AL	400mm	400x520x145(wxdxh)
ACF48AL	480mm	480x520x145(wxdxh)
ACF72AL	720mm	720x520x145(wxdxh)

Shoe wire rack, with plastic clips & epoxy coating  
Must be used with adjustable wardrobe frame.



Shoe wire rack, with plastic clips & epoxy coating

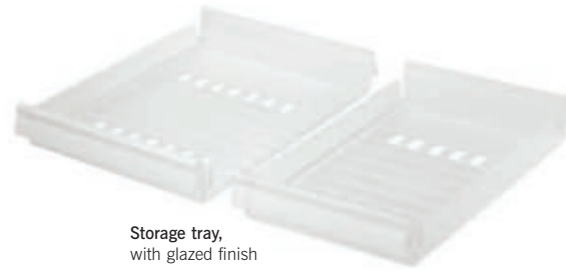
Code	Width	Dimensions
AS40AL	400mm	400x520x180(wxdxh)
AS48AL	480mm	480x520x180(wxdxh)

Multi purpose storage tray, in clear finish  
Must be used with adjustable wardrobe frame.



Multi purpose storage tray, in clear finish

Code	Width	Dimensions
AVP10T	110mm	110x450 520x35(wxdxh)



Storage tray - with glazed finish

Must be used with adjustable wardrobe frame.

Code	Product	Dimensions
AVP24	V width 240mm	240x525x85(wxdxh)
AVP32	V width 320mm	320x525x85(wxdxh)

Storage tray, with glazed finish



Shoe wire rack - with plastic clips & epoxy coating

Must be used with adjustable wardrobe frame.

Code	Width	Dimensions
AS40AL	400mm	400x520x180(wxdxh)
AS48AL	480mm	480x520x180(wxdxh)

Shoe wire rack, with plastic clips & epoxy coating



Laundry basket - wire with fabric bag

Must be used with adjustable wardrobe frame.

Code	Width	Dimensions
APS48M	480mm	480x525x410(wxdxh)

Laundry basket, wire with fabric bag



Trouser holder - wire with epoxy coating

Must be used with adjustable wardrobe frame.

Code	Width	Dimensions
APP48AL	480mm	480x525x75(wxdxh)
APP72AL	720mm	720x525x75(wxdxh)



Trouser holder, wire with epoxy coating

## Wardrobe kits

### 600mm Cabinet with 15mm or 18mm gables



600mm Kit 1 Order Codes  
Frame ATT55/AT69AL Accessories ACF48AL



600mm Kit 2 Order Codes  
Frame ATT55/AT69AL Accessories AS48AL



600mm Kit 3 Order Codes  
Frame ATT55/AT69AL Accessories APP48AL

### 700mm Cabinet with 15mm or 18mm gables



700mm Kit 1 Order Codes  
Frame ATT55/AT69AL Accessories ACF40AL & AVP10T



700mm Kit 2 Order Codes  
Frame ATT55/AT69AL Accessories AS40AL & AVP10T

### 800mm Cabinet with 15mm or 18mm gables

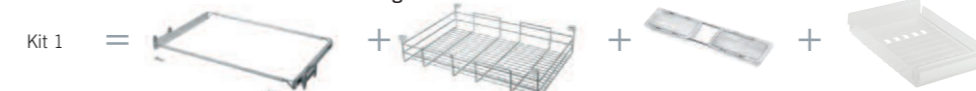


800mm Kit 1 Order Codes  
Frame ATT69/AT83AL Accessories ACF40AL & AVP24



800mm Kit 2 Order Codes  
Frame ATT69/AT83AL Accessories AS40AL & AVP24

### 900mm Cabinet with 15mm or 18mm gables



900mm Kit 1 Order Codes  
Frame ATT83/AT97AL  
Accessories ACF40AL & AVP10T & AVP24



900mm Kit 2 Order Codes  
Frame ATT83/AT97AL  
Accessories AS40AL & AVP10T & AVP24



900mm Kit 3 Order Codes  
Frame ATT83/AT97AL Accessories ACF72AL



900mm Kit 4 Order Codes  
Frame ATT83/AT97AL Accessories APP72AL

### 1000mm Cabinet with 15mm or 18mm gables



1000mm Kit 1 Order Codes  
Frame ATT97/AT110AL Accessories ACF72AL & AVP10T



1000mm Kit 2 Order Codes  
Frame ATT91/AT110AL  
Accessories AS48AL & AVP10T & AVP24



1000mm Kit 3 Order Codes  
Frame ATT91/AT110AL  
Accessories ACF48AL & AVP10T & AVP24



1000mm Kit 4 Order Codes  
Frame ATT91/AT110AL Accessories APS48AM & AS40AL

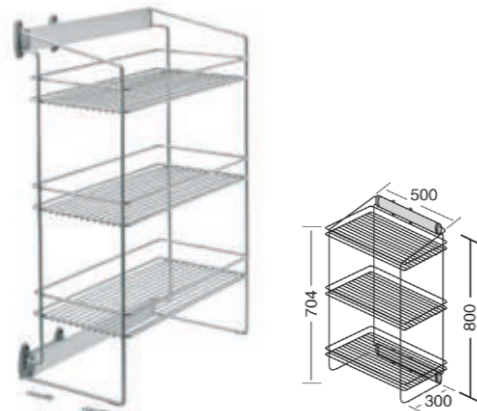
Side mounted accessories



Side pull out unit, wire with epoxy coating

Side pull out unit - wire with epoxy coating

Code	Product	Dimensions
ACL2AL	Two wire tiers	300x500x600(wxdxh)
ACL3AL	Three wire tiers	300x500x800(wxdxh)



new  
easy  
slide

Further storage can be achieved with the addition of product AVP24 - Plastic tray insert.



Rotating hinge, for side mounted accessories

Rotating hinge - for side mounted accessories

Can be used with all side mounted wardrobe accessories.

Code	Product	Dimensions
AKCE	Rotating hinge for side mounted accessories	180x30x85(wxdxh)

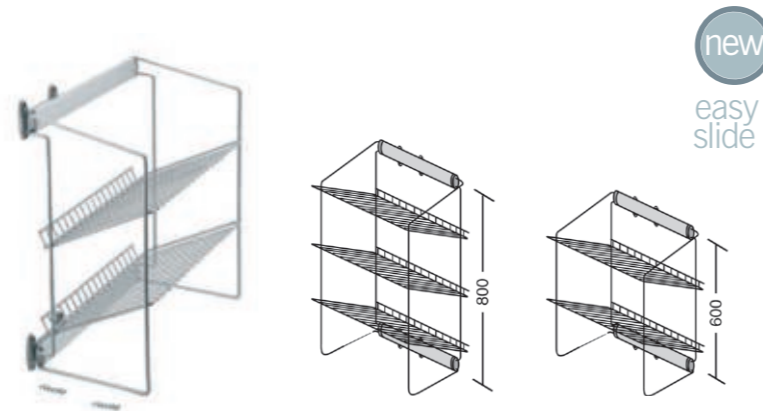
- Fits to any side mounted accessory allowing it to rotate.



Side shoe pull out unit, wire with epoxy coating

Side shoe pull out unit - wire with epoxy coating

Code	Product	Dimensions
ASL2AL	Two wire tiers	320x500x600(wxdxh)
ASL3AL	Three wire tiers	320x500x800(wxdxh)



new  
easy  
slide

Further storage can be achieved with the addition of product AVP24 - Plastic tray insert.



Side pull out suit holder with rotating hinge, with epoxy coating

Side pull out suit holder with rotating hinge - with epoxy coating

Code	Product	Dimensions
AOEAL	Side pull out suit holder with rotating hinge	200x525x420(wxdxh)

new  
easy  
slide



Side pull out tie and belt holder, with epoxy coating

Side pull out tie and belt holder - with epoxy coating

Code	Product	Dimensions
APCLAL	Side pull out tie and belt holder	145x500x100(wxdxh)



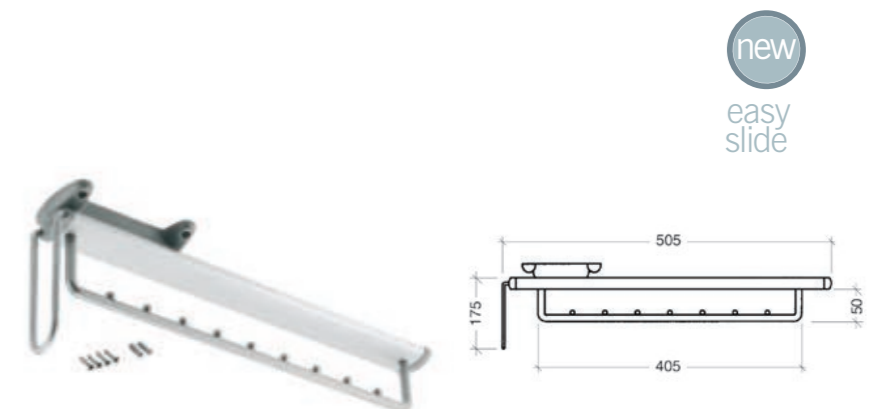
new  
easy  
slide



Pull out coat hanger holder, with epoxy coating

Pull out coat hanger holder - with epoxy coating

Code	Product	Dimensions
AAEAL	Pull out coat hanger holder	90x505x175(wxdxh)



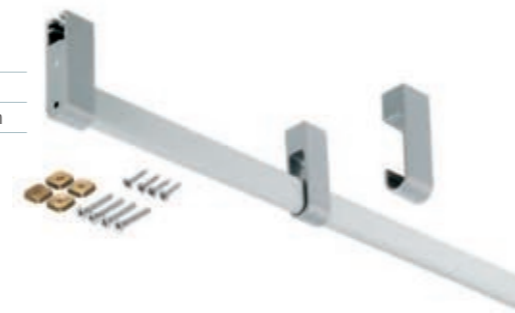
new  
easy  
slide



Wardrobe rail inc. fixing hardware, aluminium

Wardrobe rail inc. fixing hardware - aluminium

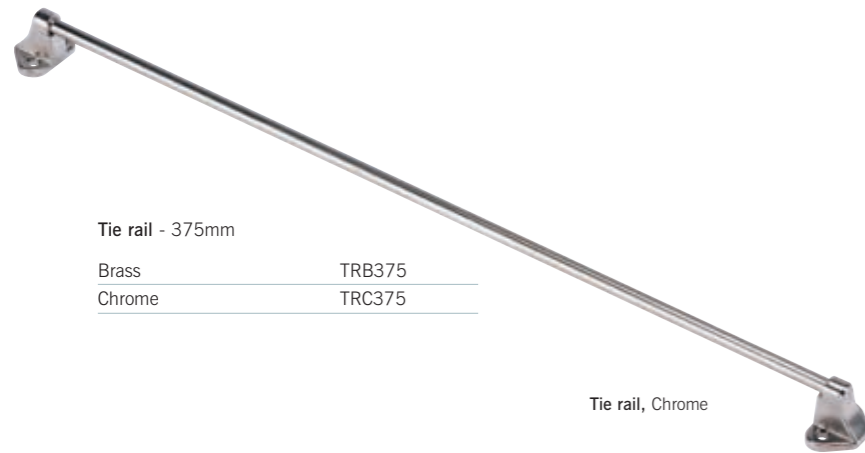
Code	Product
AAF60	For up to 600mm cabinet width
AAF90	For up to 900mm cabinet width
AAF120	For up to 1200mm cabinet width



Wardrobe pull down

Wardrobe pull down

600 - 830mm	ASS60/83
830 - 1150mm	ASS83/115
25mm spacer for a 1200mm wardrobe	ASSD2E



Tie rail - 375mm

Brass	TRB375
Chrome	TRC375

Tie rail, Chrome

