



# TANDEMBOX intivo

Always different, always unique

[www.blum.com](http://www.blum.com)

Perfecting motion  **blum**<sup>®</sup>

## Create distinctiveness and harmony

As customer tastes become more sophisticated; the desire to create individual, highly original designs increases. TANDEMBOX intivo brings endless new possibilities to inspire and stimulate.

Combining silk white, terra black or stainless steel with design inserts from across the materials spectrum, TANDEMBOX intivo is an exciting and creative solution for TANDEMBOX pull-outs.



## Contents

- 4 Three colours, endless possibilities
- 6 The TANDEMBOX intivo principle
- 8 New design options
- 12 Design strength for all applications
- 14 Proven comfort of motion
- 16 Easy assembly and setup
- 18 All advantages at a glance
- 20 Order specification
- 70 Assembly
- 84 Adjustment
- 89 Removal
- 99 ORGA-LINE
- 146 The Blum brand
- 148 Design element samples

# Three colours, endless possibilities



BOXCAP silk white



BOXCAP terra black



BOXCAP stainless steel



Stainless steel/Nero Assoluto



Silk white/Perspex white



Silk white/Zebrano wood



Terra black/Frosted glass



Stainless steel/Carrara marble



Terra black/Nero marquina



Terra black/Wenge



Silk white/Carrara marble



Silk white/Wenge



Terra black/Perspex black



Terra black/Leather



Stainless steel/Frosted glass



Silk white/Dark Seville olive



Silk white/Walnut



Terra black/Lava



Terra black/Royal



Silk white/Grooved aluminium



Stainless steel/Moldau acacia



Stainless steel/Zebrano wood



Silk white/Wallis plum



Terra black/Frosted glass

# The intivo principle: **BOXCAP** or **BOXCOVER**

TANDEMBOX intivo utilises specially developed drawer sides for high fronted pull-outs. Available in three distinctive finishes.



Silk white



Terra black



Stainless steel

The TANDEMBOX intivo drawer side works in conjunction with one of two design options.



## **BOXCAP** – for a continuous design

Use a simple BOXCAP panel in the same material as the drawer side to create a continuous look and feel. Choose this option for complete simplicity and clean lines.



## **BOXCOVER** and design element – for individual character

The combination of a design element with BOXCOVER opens up infinite creative opportunities. Develop your own collections, follow trends or customise pull-outs to meet individual customer choices and tastes.

The design element is attached to the drawer side and held in place by the BOXCOVER front and back fixing. Utilise design elements from any desired material including wood, glass, leather and stone.

# Simple and timeless

All components of TANDEMBOX intivo have been carefully created to stand the test of time. By removing the gallery, we have also opened up a host of individual design options.



- Individual components such as the drawer side, BOXCAP, BOXCOVER and inner pull-outs are consistent in colour and material.
- Thanks to a groove in the drawer side edge, the BOXCAP and the design element can be attached seamlessly to the drawer side.
- This innovative solution (without gallery) creates a seamless and completely enclosed storage area for all high fronted pull-out requirements.
- The higher drawer side profile forms a harmonious whole – either with a simple BOXCOVER drawer side or utilising a BOXCAP with design element.



# Effortless and completely versatile

TANDEMBOX intivo works with all applications, including; standard pull-outs, inner pull-outs as well as individual solutions such as the unique SPACE CORNER and Sink drawer variants.





# Complement or contrast the interior design

With TANDEMBOX intivo, you can unify the interior look of your furniture with the outside space ...



... or intentionally create accents and contrasts.



# Integration and design strength – for all applications

For design consistency, TANDEMBOX intivo drawers and inner pull-outs are available in a choice of three finishes – terra black, silk white and stainless steel. Inner pull-outs are also available – either with a dedicated cross rail or by using an additional design element. For ease of installation, drawer dimensions have not changed.



### ORGA-LINE

ORGA-LINE, the inner dividing system from Blum, makes it easy for your customers to stay organised. Existing ORGA-LINE systems can be used to create total design harmony, ORGA-LINE for high fronted pull-outs is also available in the TANDEMBOX intivo colour selection. A tool-free installation with infinite adjustment options for cross dividers, ORGA-LINE is completely flexible.



# Unsurpassed running action and ease of motion when opening and closing

Utilising the advanced running capabilities of TANDEMBOX and BLUMOTION, TANDEMBOX intivo brings together enhanced design opportunities, superior quality of motion and unsurpassed running action – even up to loads of 65 kg.



### SERVO-DRIVE

Your customers will enjoy exceptional opening comfort with the SERVO-DRIVE electrical opening support system. A gentle pull on the handle or a light touch on the front is enough for TANDEMBOX *intivo* pull-outs to open smoothly and effortlessly.



### BLUMOTION

Thanks to BLUMOTION self-closing technology, TANDEMBOX *intivo* pull-outs close silently and with complete ease.



# New technology, easy assembly and setup

The assembly of TANDEMBOX intivo is simple, effective and tool-free. Whether working with a BOXCAP or BOXCOVER with design element; installation is easy to complete.

BOXCAP assembly:



Simply clip on BOXCAP to the drawer side.

Assembly of a design element and BOXCOVER:



The design element is inserted into the recess of the drawer side edge.



Slide the back and front BOXCOVER over the design element for tool-free installation.

To enable the numerous individual design options offered by TANDEMBOX intivo, the side gallery has been removed and the tilt adjustment mechanism integrated into the drawer side. Side, height and tilt adjustments can be easily made and locked into place via the drawer side with just a few turns of the hand. Achieving perfect gaps and a balanced look and feel has never been easier. Customers will also be delighted with the excellent stability that characterises the TANDEMBOX intivo front fixing.

Adjustment with just a few turns of the hand: thanks to the mechanism integrated into the drawer side



- 1 Side adjustment
- 2 Height adjustment
- 3 Tilt adjustment
- 4 Locking mechanism for additional stability
- 5 Front removal

# Many advantages at a glance

## Design:

- Unlimited individual design options using design elements
- Uniform design across all TANDEMBOX intivo components including BOXCAP, BOXCOVER, inner pull-out and ORGA-LINE.
- Timeless, harmonious, high quality design
- Gap-free transition from drawer side and cap (BOXCAP or design element)
- High fronted pull-out without gallery
- Blum glass design elements are available via hardware distributors (see separate glass order document)

## Movement quality:

- Proven quality of motion through TANDEM smooth running action
- Option to include SERVO-DRIVE, the electrical opening support system
- Silent and effortless closing thanks to BLUMOTION

## Technology:

- New front fixing delivers optimum stability
- Easy and tool-free assembly of BOXCOVER and BOXCAP
- Easy side, height and tilt adjustments via an adjustment mechanism integrated into the drawer side
- Existing TANDEMBOX assembly devices can be used
- No additional drilling is required. Cutting and visible surface work is limited to the creation of the design element.



# TANDEMBOX intivo

## Wide range of applications



TANDEMBOX intivo with BOXCOVER and design element

Page 22



TANDEMBOX intivo inner pull-out with design element

Page 28



SPACE CORNER with SYNCROMOTION and design element

Page 36



TANDEMBOX intivo with BOXCAP

Page 25



TANDEMBOX intivo inner pull-out with cross gallery

Page 32



SPACE CORNER with SYNCROMOTION and BOXCAP

Page 41



Sink pull-out with BOXCOVER and design element

Page 46



Suitable drawers for TANDEMBOX intivo

Page 54 60



SPACE CORNER with SYNCROMOTION – drawer

Page 63



Sink pull-out with BOXCAP

Page 50



Suitable inner drawers for TANDEMBOX intivo

Page 57



ORGA-LINE for TANDEMBOX intivo

Page 99

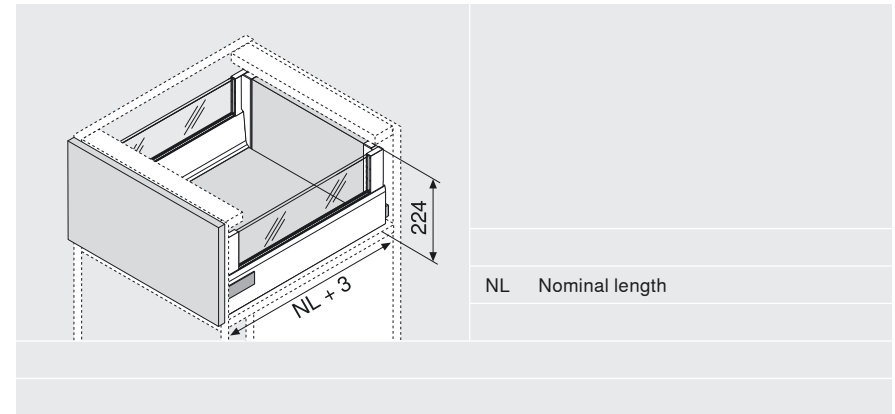
# TANDEMBOX intivo

High fronted pull-out with BOXCOVER and design element

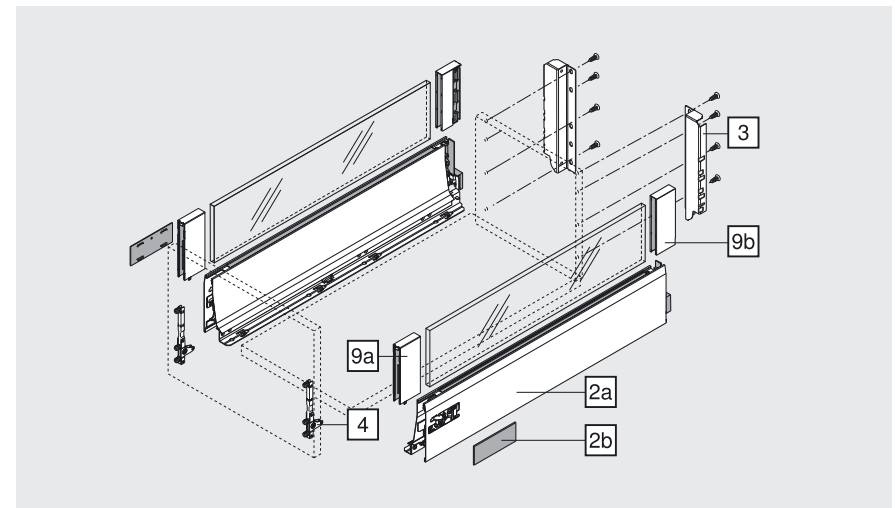
Product



Space requirement






Order specification

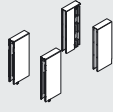


Order specification

2a, 2b	L drawer side left/right and cover caps			
	Colour variants	SW	TS	
	Nominal length	Steel		Inox
	270 mm	358L2702SA2	358L2702IA2	
	300 mm	358L3002SA2	358L3002IA2	
	350 mm	358L3502SA2	358L3502IA2	
	400 mm	358L4002SA2	358L4002IA2	
	450 mm	358L4502SA2	358L4502IA2	
	500 mm	358L5002SA2	358L5002IA2	
	550 mm	358L5502SA2	358L5502IA2	
	600 mm	359L6002SA2	359L6002IA2	
	650 mm	359L6502SA2	359L6502IA2	
	SW	Silk white		
	TS	Terra black		

3	Back fixing left/right			
	Colour variants	SW	TS	Nickel plated
		Steel		
		Z30D000SL		
	Steel back		Page	69

4	Front fixing brackets for high fronted pull-out		
	Screw-on*	2x	ZSF.5220
	EXPANDO	2x	ZSF.532E
	Ø 3.5 x 15 mm		609.1500
	Ø 3.5 x 17 mm		609.1700

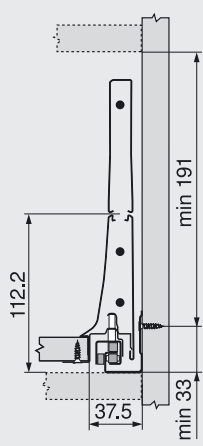
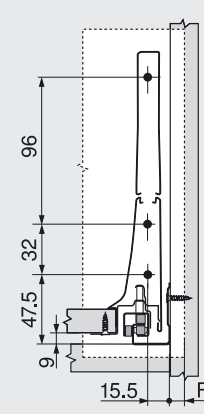
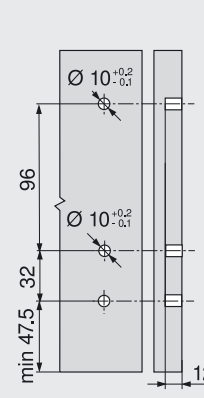
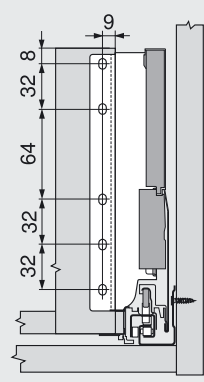
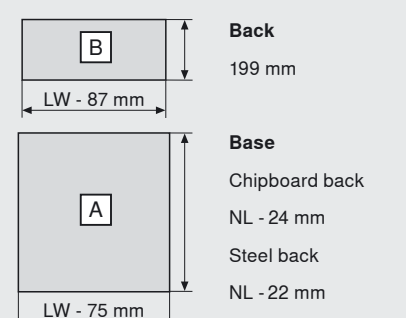
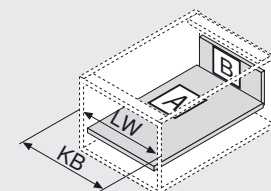
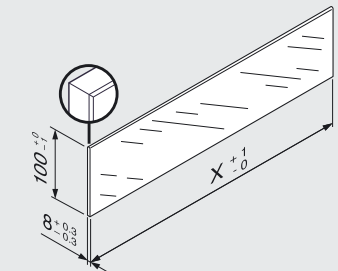
9a, 9b	BOXCOVER front/back			
	Colour variants	SW	TS	
	Glass design elements available through hardware distributor – see separate order specification.	Steel		Inox
		Z36L002G.S	Z36L002G.I	

Cabinet profiles			
	Order specification	Page	68

# TANDEMBOX intivo

## High fronted pull-out with BOXCOVER and design element

### Planning

<p><b>Space requirements in cabinet</b></p>	<p><b>Installation dimensions for screw-on front</b></p>	<p><b>Front drilling distance for EXPANDO</b></p>	<p><b>Back installation dimensions</b></p>						
	 <p>FA Front overlay</p>								
<p><b>Cutting dim. for 16 mm chipboard</b></p>		<p><b>Design element cutting dimensions</b></p>							
 <p><b>Back</b> 199 mm</p> <p><b>Base</b> Chipboard back NL - 24 mm Steel back NL - 22 mm</p>	 <table border="1"> <tr> <td>KB</td> <td>Cabinet width</td> </tr> <tr> <td>LW</td> <td>Inner cabinet width</td> </tr> <tr> <td>NL</td> <td>Nominal length</td> </tr> </table>	KB	Cabinet width	LW	Inner cabinet width	NL	Nominal length	 <p>X = NL - 60 mm</p>	<p>According to standard (DIN EN 14749 Edition Nov. 2005), no safety glass is stipulated in combination with TANDEMBOX intivo.</p> <p>Glass design elements available through hardware distributor – see separate order specification.</p> <p>The upper edge is a polished flat-ended edge with a 1 mm +/-0.5 mm bevel.</p>
KB	Cabinet width								
LW	Inner cabinet width								
NL	Nominal length								
<p>Assembly, removal and setup</p>			<p>Page 70</p>						

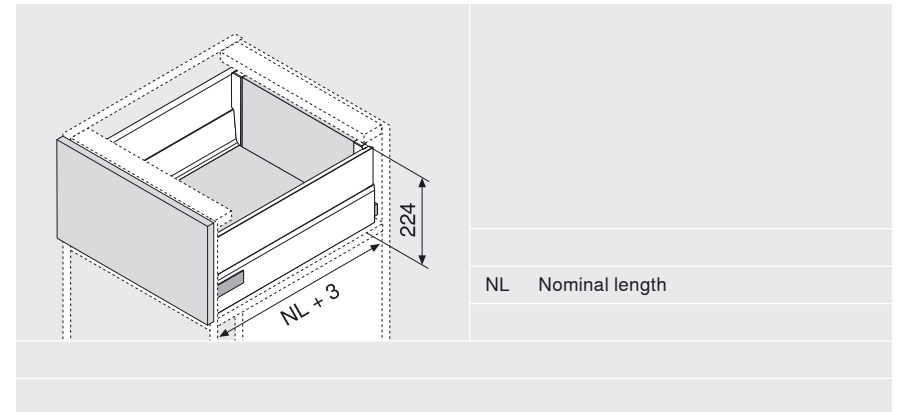
# TANDEMBOX intivo

## High fronted pull-out with BOXCAP

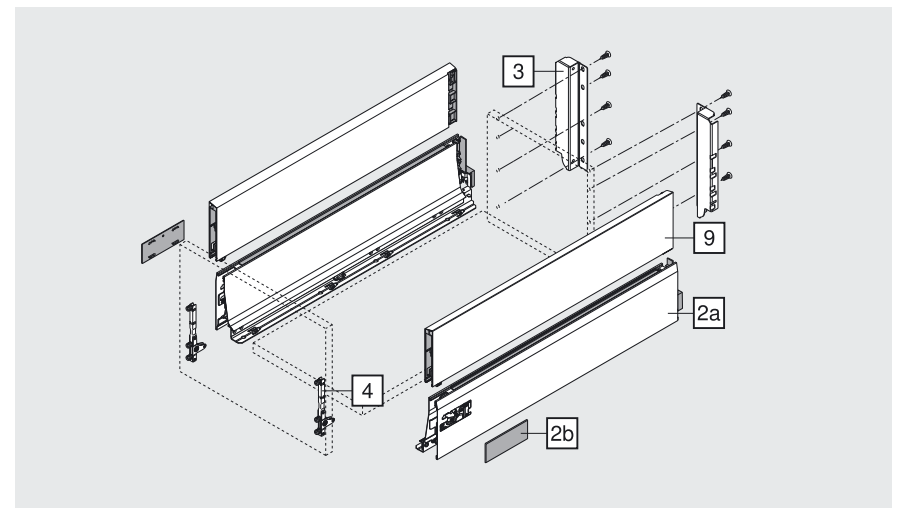
Product



Space requirement



Order specification

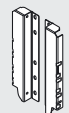


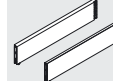
# TANDEMBOX intivo



## High fronted pull-out with BOXCAP

### Order specification

2a, 2b	L drawer side left/right and cover caps		
	Colour variants	SW	TS
	Nominal length	Steel      Inox	
	270 mm	358L2702SA2	358L2702IA2
	300 mm	358L3002SA2	358L3002IA2
	350 mm	358L3502SA2	358L3502IA2
	400 mm	358L4002SA2	358L4002IA2
	450 mm	358L4502SA2	358L4502IA2
	500 mm	358L5002SA2	358L5002IA2
	550 mm	358L5502SA2	358L5502IA2
	600 mm	359L6002SA2	359L6002IA2
650 mm	359L6502SA2	359L6502IA2	
SW    Silk white			
TS    Terra black			

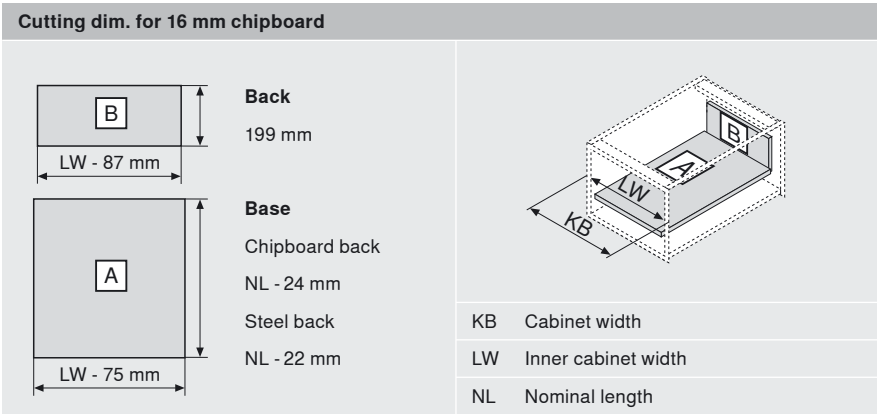
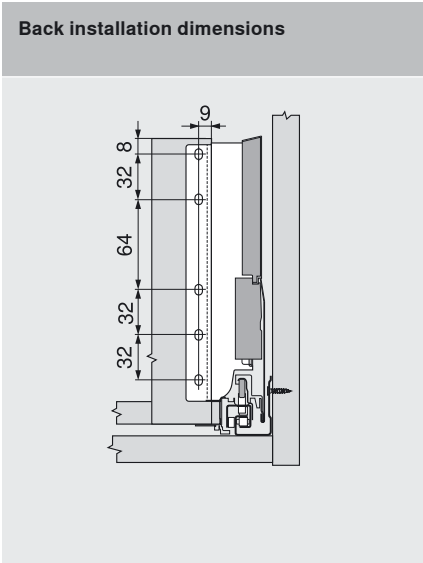
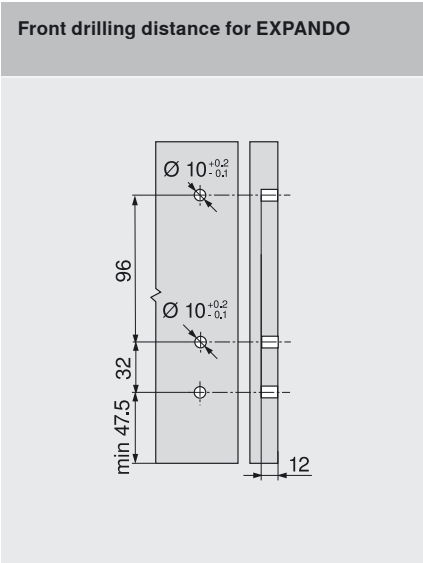
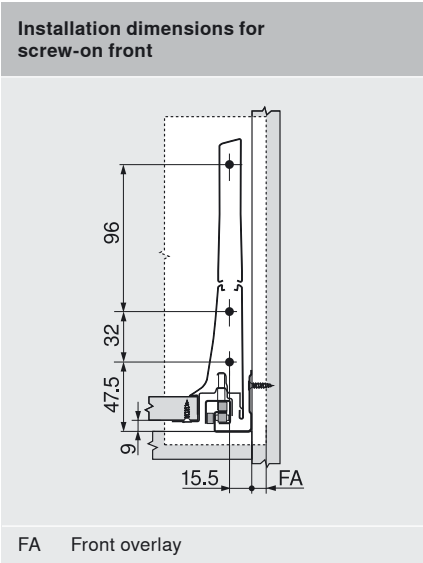
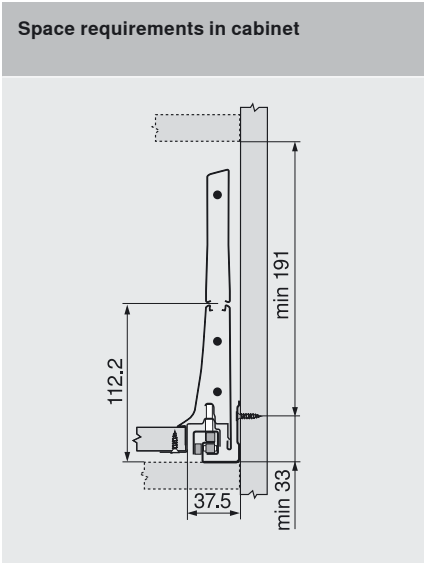
3	Back fixing left/right		
	Colour variants	SW	TS    Nickel plated
		Steel	
		Z30D000SL	
Steel back		Page	69

9	BOXCAP left/right		
	Colour variants	SW	TS
	Nominal length	Steel      Inox	
	270 mm	Z37L260S.D	Z37L260I.D
	300 mm	Z37L290S.D	Z37L290I.D
	350 mm	Z37L340S.D	Z37L340I.D
	400 mm	Z37L390S.D	Z37L390I.D
	450 mm	Z37L440S.D	Z37L440I.D
	500 mm	Z37L490S.D	Z37L490I.D
	550 mm	Z37L540S.D	Z37L540I.D
	600 mm	Z37L590S.D	Z37L590I.D
650 mm	Z37L640S.D	Z37L640I.D	

4	Front fixing brackets for high fronted pull-out		
	Screw-on*	2x	ZSF.5220
	EXPANDO	2x	ZSF.532E
	Ø 3.5 x 15 mm		609.1500
	Ø 3.5 x 17 mm		609.1700

Cabinet profiles		
Order specification	Page	68

Planning



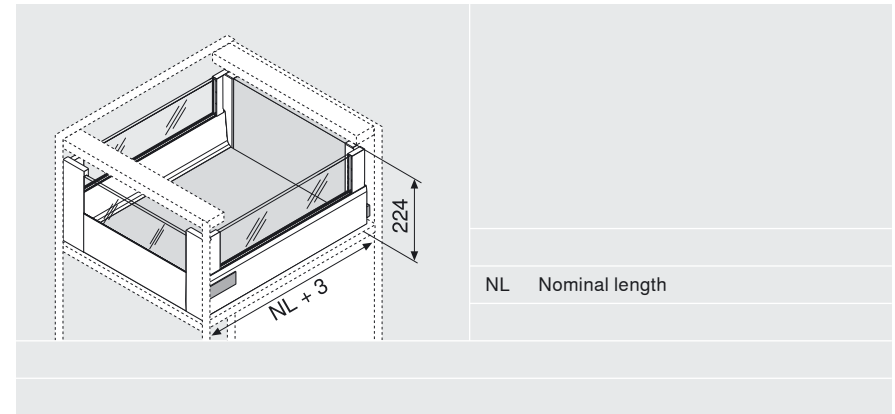
# TANDEMBOX intivo

## Inner pull-out with design element

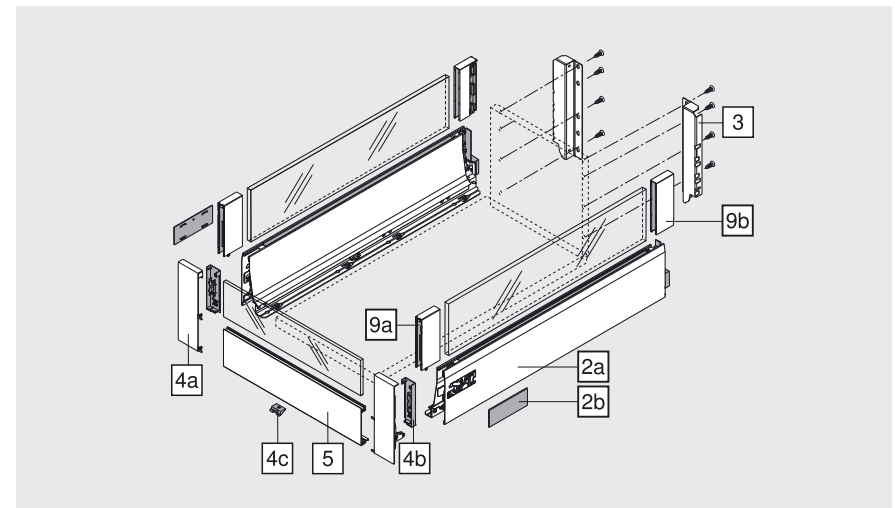
### Product



### Space requirement

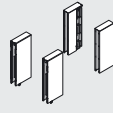


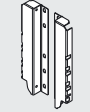
### Order specification



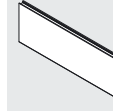
Order specification

2a, 2b	L drawer side left/right and cover caps			
	Colour variants	SW	TS	
	Nominal length	Steel		Inox
	270 mm	358L2702SA2	358L2702IA2	
	300 mm	358L3002SA2	358L3002IA2	
	350 mm	358L3502SA2	358L3502IA2	
	400 mm	358L4002SA2	358L4002IA2	
	450 mm	358L4502SA2	358L4502IA2	
	500 mm	358L5002SA2	358L5002IA2	
	550 mm	358L5502SA2	358L5502IA2	
	600 mm	359L6002SA2	359L6002IA2	
	650 mm	359L6502SA2	359L6502IA2	
	SW	Silk white		
	TS	Terra black		

9a, 9b	BOXCOVER front/back			
	Colour variants	SW	TS	
	Glass design elements available through hardware distributor – see separate order specification.	Steel		Inox
		Z36L002G.S	Z36L002G.I	

3	Back fixing left/right			
	Colour variants	SW	TS	Nickel plated
		Steel		
		Z30D000SL		
	Steel back	Page 69		

4a, 4b, 4c	Front fixing left/right and cover caps			
	Colour variants	SW	TS	Nickel plated
		Steel		
		ZIF.81D0		
	Incl. locking piece Z31A0008			

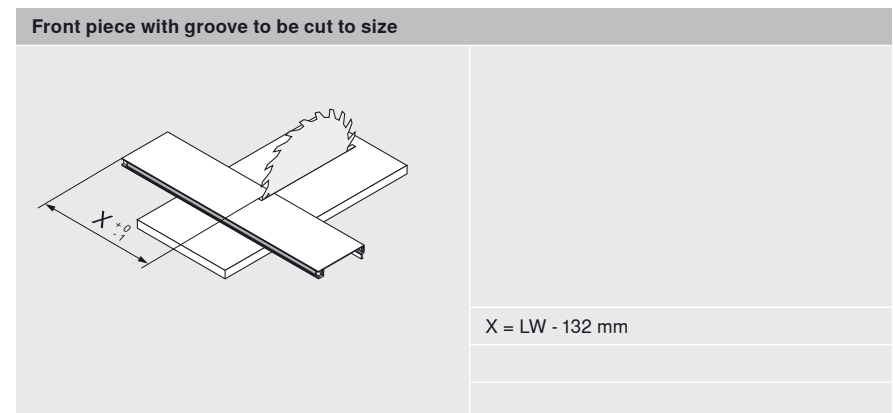
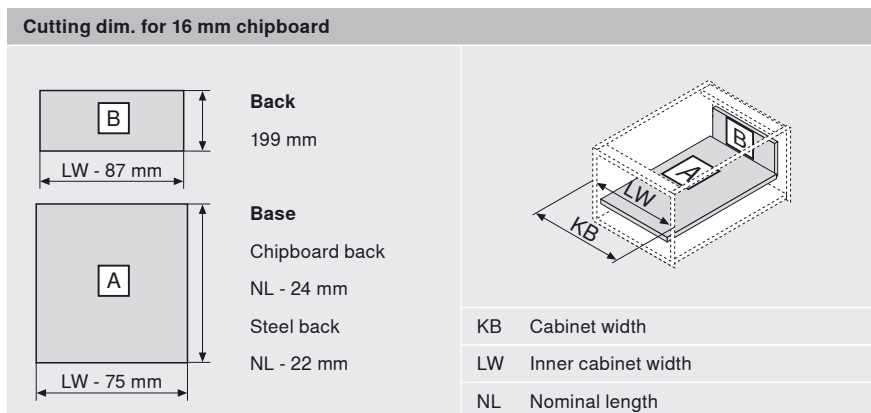
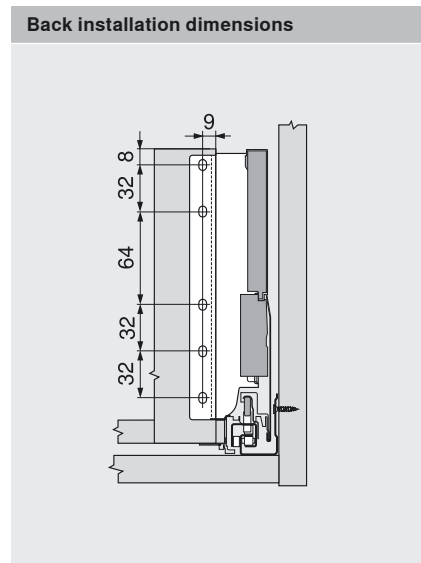
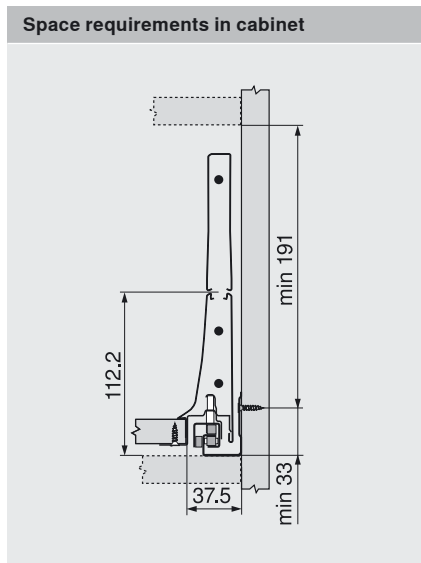
5	Front piece with groove			
	Colour variants	SW	TS	Nickel plated
		Aluminium		
	For cutting to size	Z31L1036AN		

Cabinet profiles				
	Order specification	Page		68

# TANDEMBOX intivo

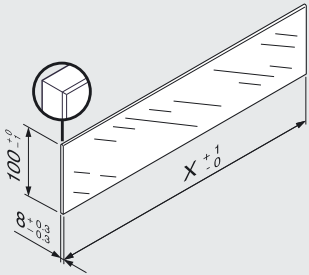
## Inner pull-out with design element

### Planning



Planning

**Design element for side cutting dimensions**



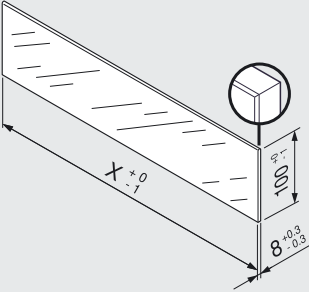
According to standard (DIN EN 14749 Edition Nov. 2005), no safety glass is stipulated in combination with TANDEMBOX intivo.

Glass design elements available through hardware distributor – see separate order specification.

The upper edge is a polished flat-ended edge with a 1 mm +/-0.5 mm bevel.

X = NL - 60 mm

**Design element for front piece with groove cutting dimensions**



According to standard (DIN EN 14749 Edition Nov. 2005), no safety glass is stipulated in combination with TANDEMBOX intivo.

Glass design elements available through hardware distributor – see separate order specification.

The upper edge is a polished flat-ended edge with a 1 mm +/-0.5 mm bevel.

X = LW - 118 mm

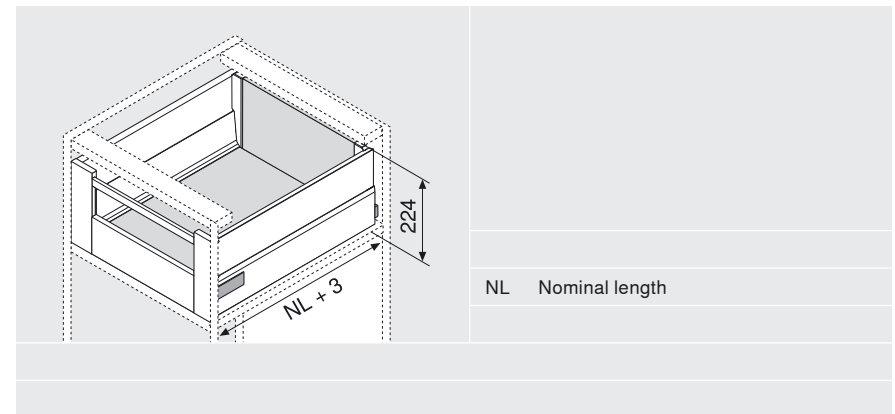
# TANDEMBOX intivo

## Inner pull-out with cross gallery

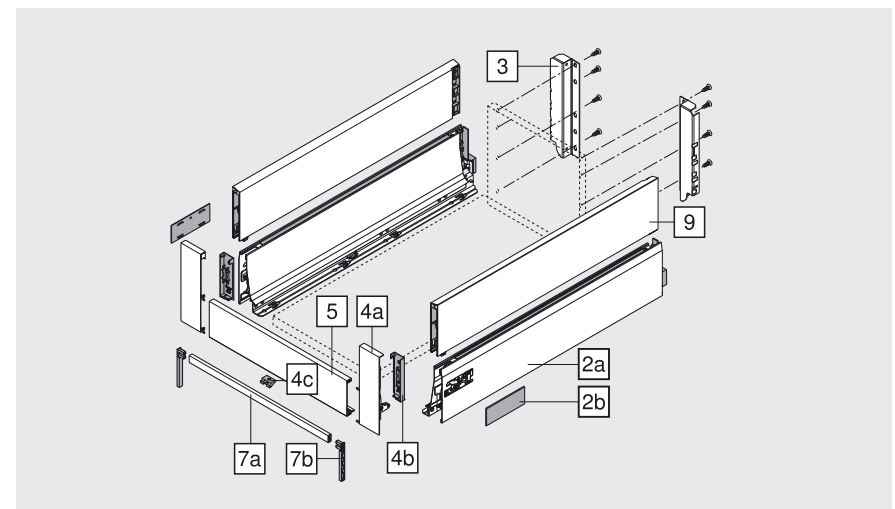
Product



Space requirement

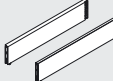


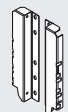
Order specification



Order specification

2a, 2b	L drawer side left/right and cover caps			
	Colour variants	SW	TS	
	Nominal length	Steel		Inox
	270 mm	358L2702SA2	358L2702IA2	
	300 mm	358L3002SA2	358L3002IA2	
	350 mm	358L3502SA2	358L3502IA2	
	400 mm	358L4002SA2	358L4002IA2	
	450 mm	358L4502SA2	358L4502IA2	
	500 mm	358L5002SA2	358L5002IA2	
	550 mm	358L5502SA2	358L5502IA2	
	600 mm	359L6002SA2	359L6002IA2	
	650 mm	359L6502SA2	359L6502IA2	
	SW	Silk white		
	TS	Terra black		

9	BOXCAP left/right			
	Colour variants	SW	TS	
	Nominal length	Steel		Inox
	270 mm	Z37L260S.D	Z37L260I.D	
	300 mm	Z37L290S.D	Z37L290I.D	
	350 mm	Z37L340S.D	Z37L340I.D	
	400 mm	Z37L390S.D	Z37L390I.D	
	450 mm	Z37L440S.D	Z37L440I.D	
	500 mm	Z37L490S.D	Z37L490I.D	
	550 mm	Z37L540S.D	Z37L540I.D	
	600 mm	Z37L590S.D	Z37L590I.D	
	650 mm	Z37L640S.D	Z37L640I.D	

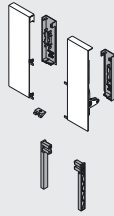
3	Back fixing left/right			
	Colour variants	SW	TS	Nickel plated
		Steel		
		Z30D000SL		
	Steel back	Page 69		

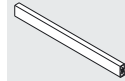
Cabinet profiles			
Order specification	Page	68	

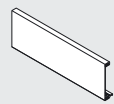
# TANDEMBOX intivo

## Inner pull-out with cross gallery

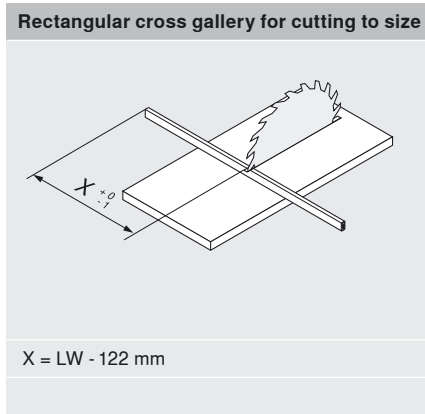
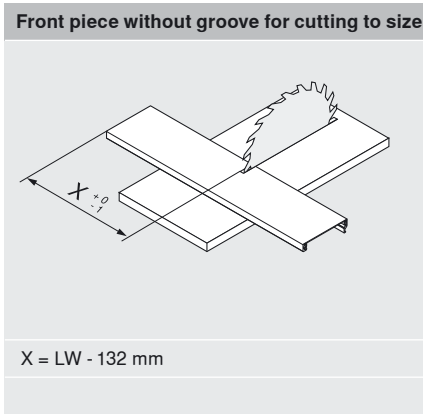
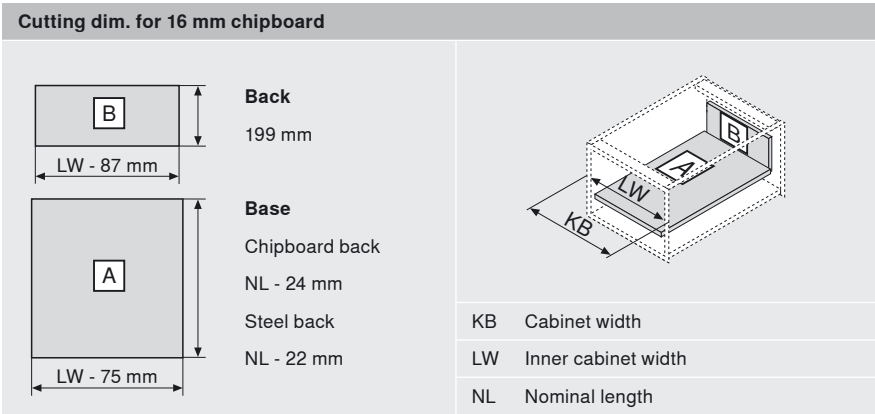
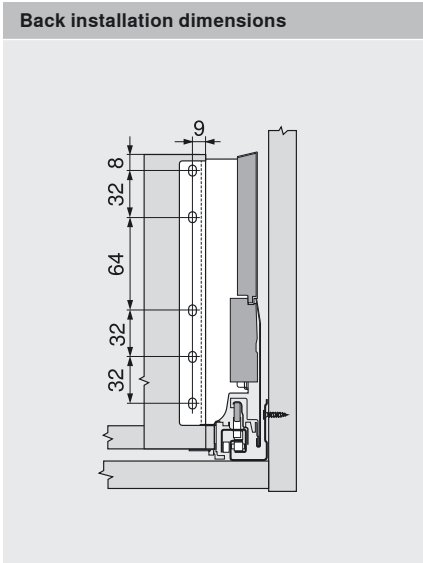
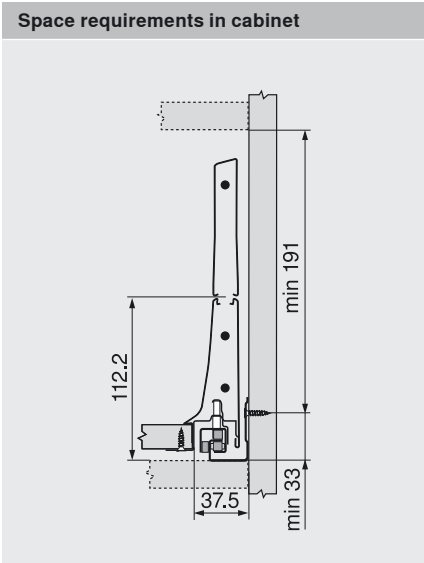
### Order specification

4a, 4b, 7b	Front fixing left/right and cover caps			
	Colour variants	SW	TS	Nickel plated
		Steel		
		ZIF.81D0		
	Incl. locking piece Z31A0008 and gallery fixing ZIF.82D8			
	SW Silk white			
	TS Terra black			

7a	Rectangular cross gallery			
	Colour variants	SW	TS	Nickel plated
		Aluminium		
	For cutting to size	ZRG.1046Z		

5	Front piece without groove			
	Colour variants	SW	TS	Nickel plated
		Aluminium		
	For cutting to size	Z31L1036A		

Planning



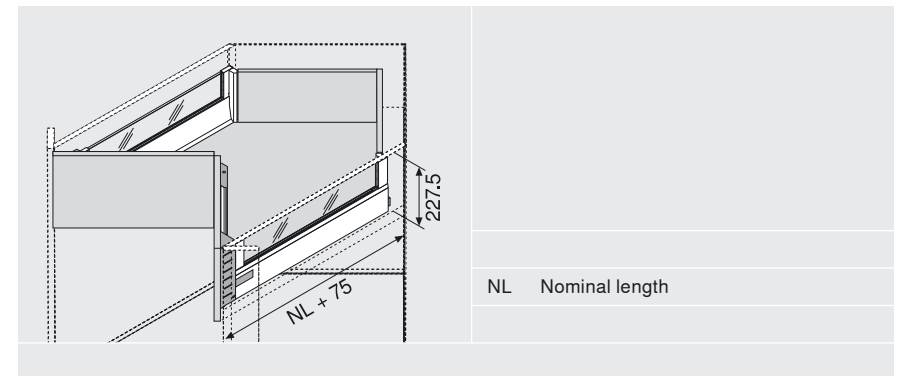
# TANDEMBOX intivo

## SPACE CORNER with SYNCROMOTION with BOXCOVER

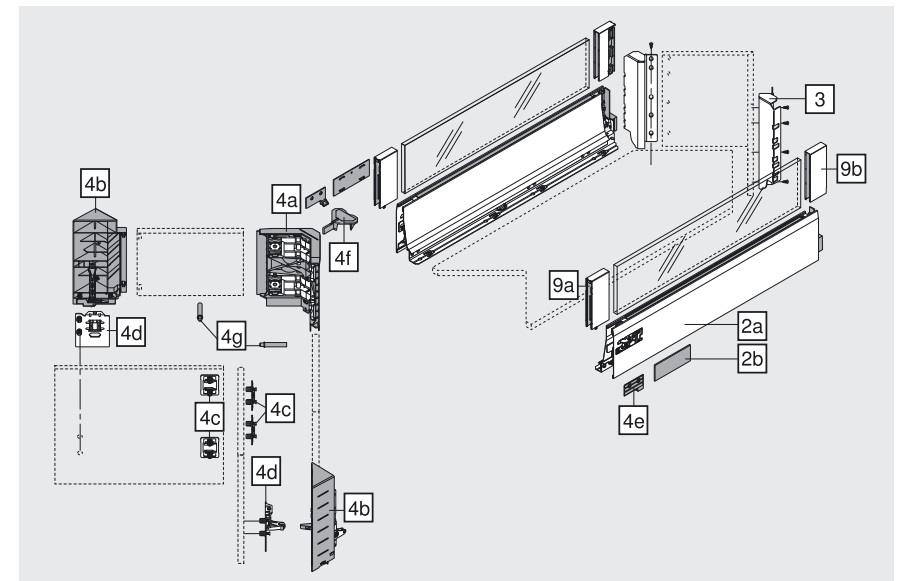
### Product



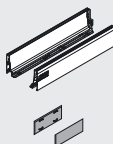
### Space requirement

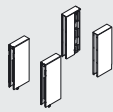


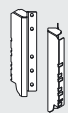
### Order specification




Order specification


2a, 2b	L drawer side left/right and cover caps		
	Colour variants	SW	TS
	Nominal length	Steel      Inox	
	600 mm	<b>359L6002SA2</b>	<b>359L6002IA2</b>
	650 mm	<b>359L6502SA2</b>	<b>359L6502IA2</b>
	SW	Silk white	
	TS	Terra black	


9a, 9b	BOXCOVER front/back		
	Colour variants	SW	TS
	Glass design elements available through hardware distributor – see separate order specification.	Steel      Inox	
		<b>Z36L002G.S</b>	<b>Z36L002G.I</b>


3	Corner back fixing left/right			
	Colour variants	SW	TS	Nickel plated
		Steel		
		<b>Z30D000SL45</b>		


4	SYNCROMOTION set		
	Colour variants	SW	RAL7037
		Nylon	
		<b>Z33D0L00A6</b>	


Composed of:

4a	Front Syncro fitting		
		1x	<b>—</b>


4f	Gap template		
	4 mm		
	orange	1x	<b>—</b>

4b	Corner front piece		
	left/right	1x	<b>—</b>

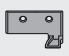
4g	BLUMOTION		
		2x	<b>—</b>

4c	Front fixing Syncro		
		4x	<b>—</b>

4h	Countersunk screw		
	M5 x 25		
		2x	<b>—</b>

4d	front fixing roll		
	left/right	1x	<b>—</b>

4i	Nylon screw		
	4.8 x 30		
		3x	<b>—</b>

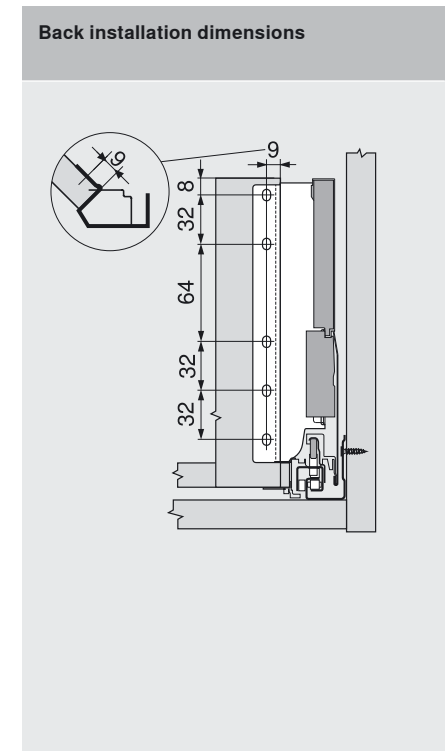
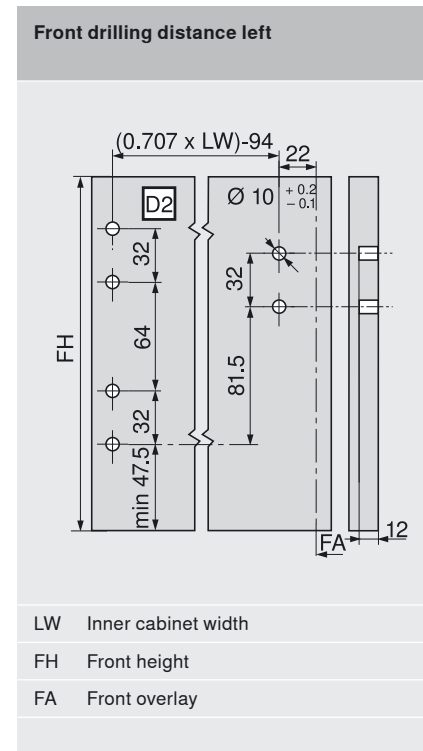
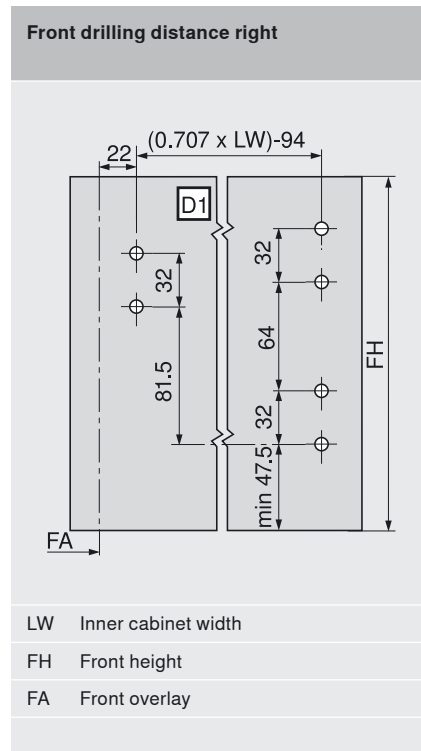
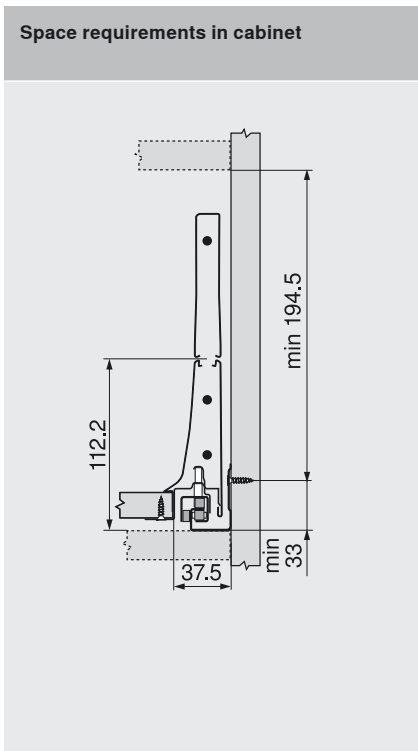
4e	Connecting link		
	left/right	1x	<b>—</b>

Cabinet profiles	
Order specification	
Page	<b>68</b>

# TANDEMBOX intivo

## SPACE CORNER with SYNCROMOTION with BOXCOVER

### Planning



Planning

**Cutting dim. for 16 mm chipboard**

FB = PM - PtA - SL - PD - FS - (2.828 - (FR x 0.586))

LW = (PM - PtA - DistD) x 1.414

DistD Cabinet connection distance	PD Stop bumper thickness
FB Front width	NL Nominal length
FR Front radius	PM Installation dimension
FS Front thickness	PtA Connection cabinet installation depth
LW Inner cabinet width	SL Side gap

**We recommend planning with DYNALOG.**

**Design element cutting dimensions**

According to standard (DIN EN 14749 Edition Nov. 2005), no safety glass is stipulated in combination with TANDEMBOX intivo.

Glass design elements available through hardware distributor – see separate order specification.

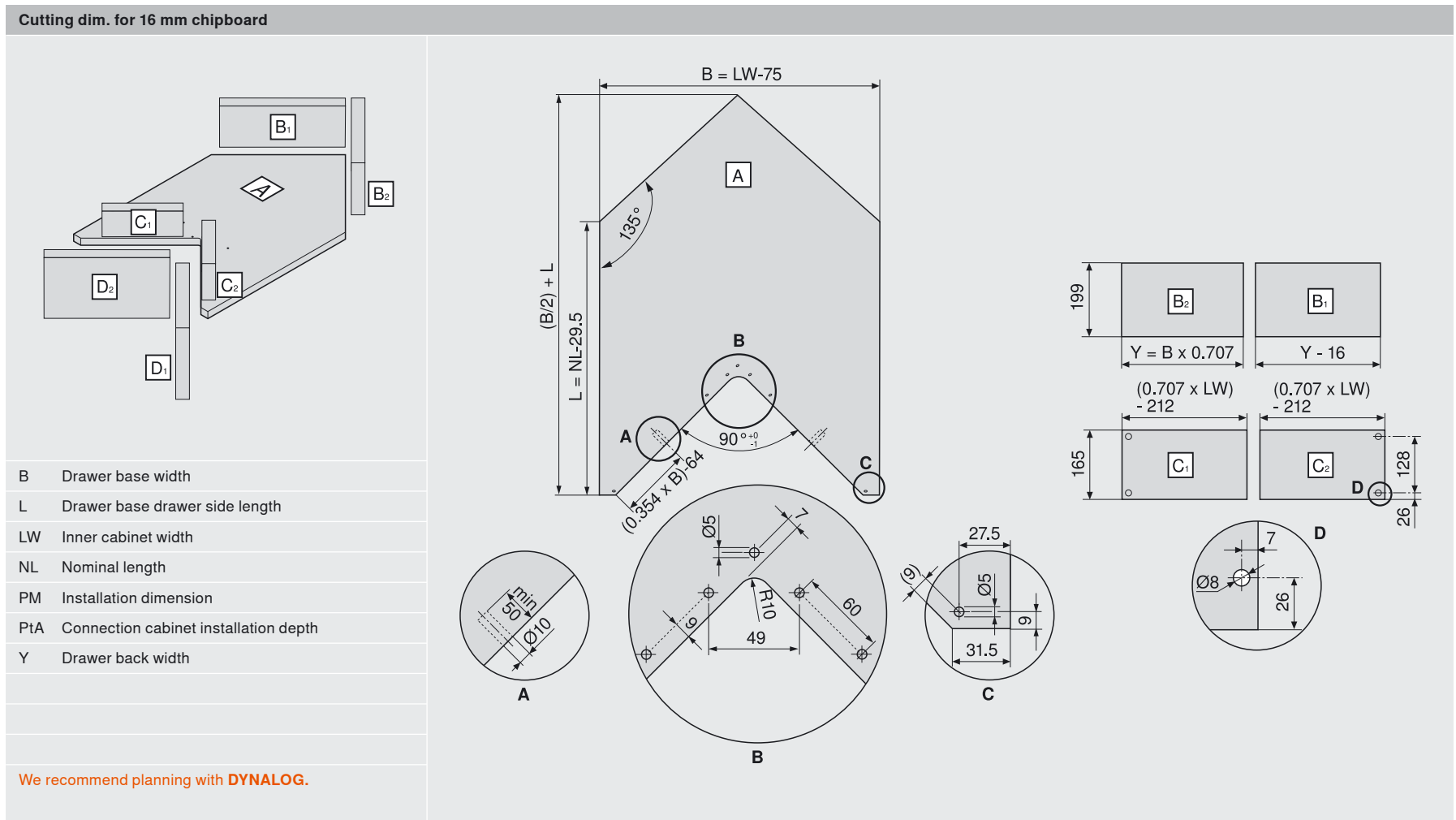
The upper edge is a polished flat-ended edge with a 1 mm +/-0.5 mm bevel.

X = NL - 60 mm

# TANDEMBOX intivo

## SPACE CORNER with SYNCROMOTION with BOXCOVER

### Planning



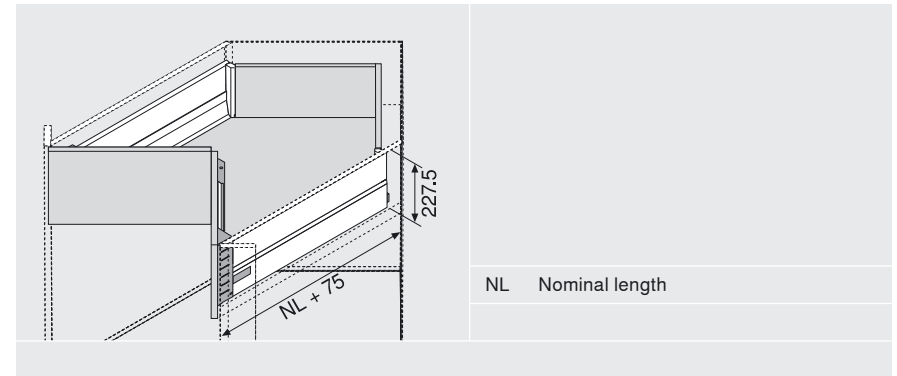
# TANDEMBOX intivo

## SPACE CORNER with SYNCROMOTION with BOXCAP

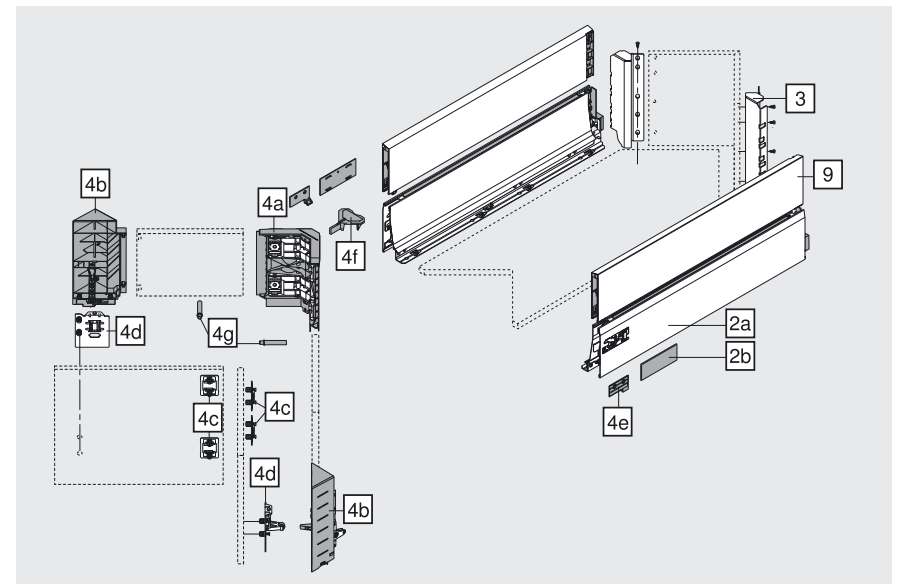
### Product



### Space requirement



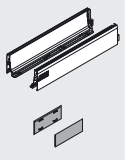
### Order specification

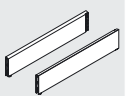


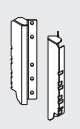
# TANDEMBOX intivo


## SPACE CORNER with SYNCROMOTION with BOXCAP

### Order specification


2a, 2b	L drawer side left/right and cover caps		
	Colour variants	SW	TS
	Nominal length	Steel      Inox	
	600 mm	359L6002SA2	359L6002IA2
	650 mm	359L6502SA2	359L6502IA2
	SW	Silk white	
TS	Terra black		


9	BOXCAP left/right		
	Colour variants	SW	TS
	Nominal length	Steel      Inox	
	600 mm	Z37L590S.D	Z37L590I.D
	650 mm	Z37L640S.D	Z37L640I.D

3	Corner back fixing left/right		
	Colour variants	SW	TS      Nickel plated
		Steel	
		Z30D000SL45	


4	SYNCROMOTION set		
	Colour variants	SW	RAL7037
		Nylon	
		Z33D0L00A6	


### Composed of:

4a	Front Syncro fitting	
	1x	-


4f	Gap template	
	4 mm	
	orange	1x -

4b	Corner front piece	
	left/right	
	1x	-


4g	BLUMOTION	
	2x	-

4c	Front fixing Syncro	
	4x	-

4h	Countersunk screw	
	M5 x 25	
	2x	-

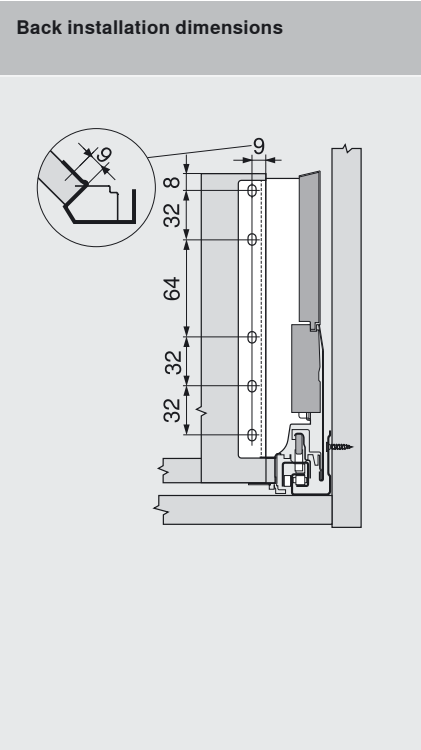
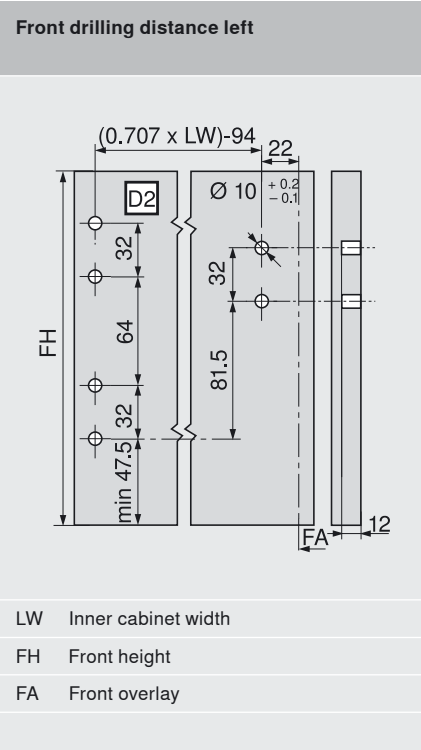
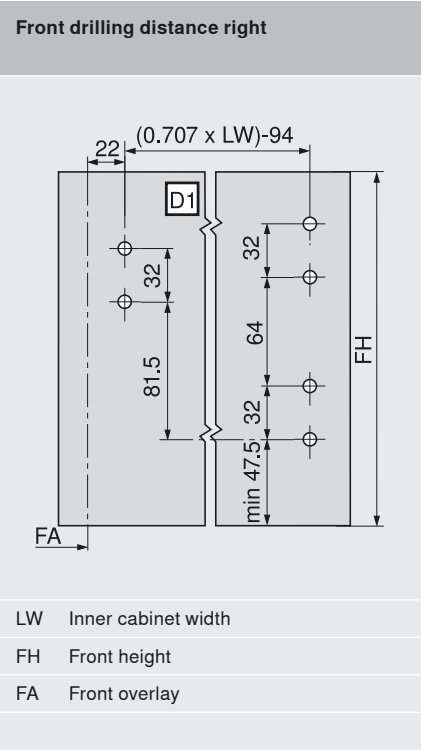
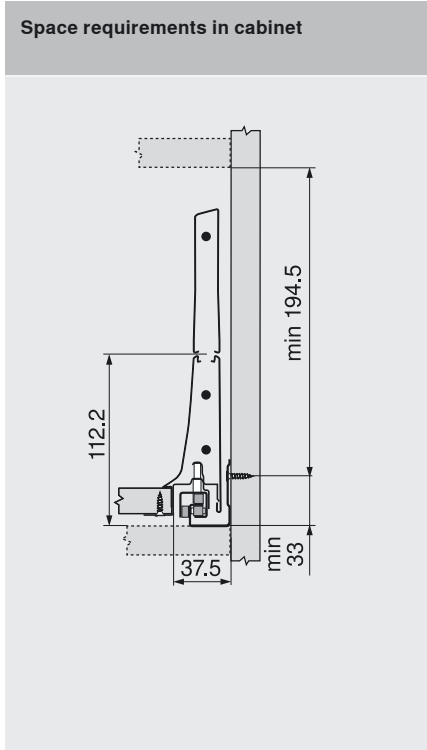
4d	front fixing roll	
	left/right	
	1x	-

4i	Nylon screw	
	4.8 x 30	
	3x	-

4e	Connecting link	
	left/right	
	1x	-

Cabinet profiles	
Order specification	
Page	68

Planning

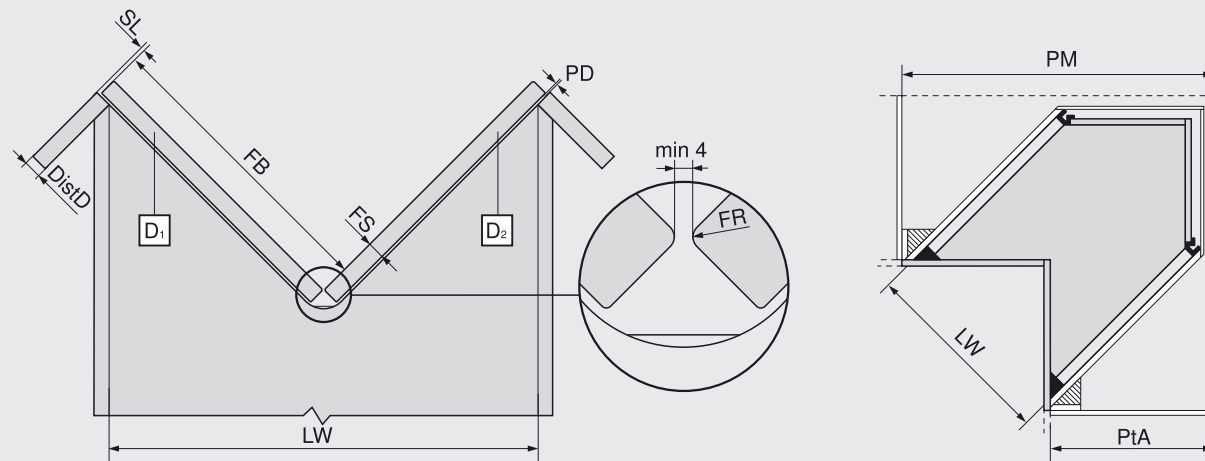


# TANDEMBOX intivo

## SPACE CORNER with SYNCROMOTION with BOXCAP

### Planning

Cutting dim. for 16 mm chipboard



$$FB = PM - PtA - SL - PD - FS - (2.828 - (FR \times 0.586))$$

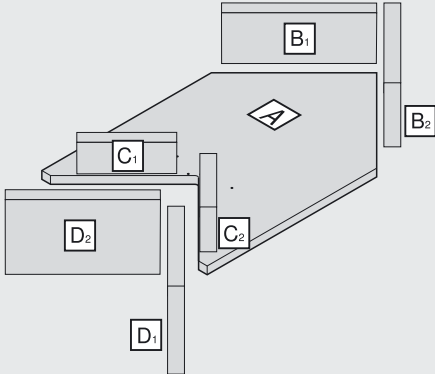
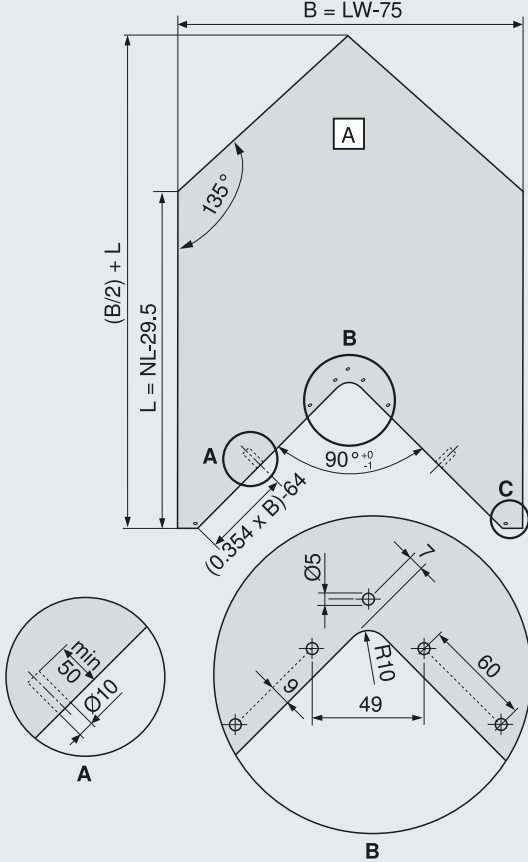
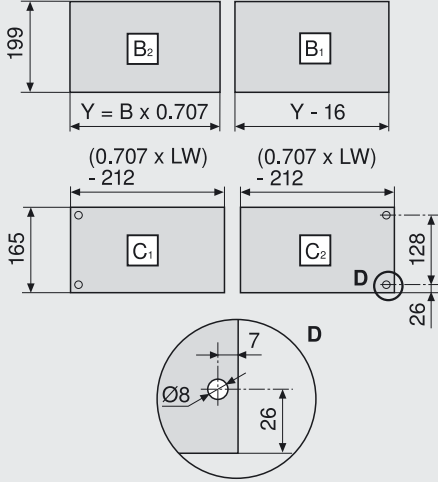
$$LW = (PM - PtA - DistD) \times 1.414$$

DistD Cabinet connection distance	PD Stop bumper thickness	
FB Front width	NL Nominal length	
FR Front radius	PM Installation dimension	
FS Front thickness	PtA Connection cabinet installation depth	
LW Inner cabinet width	SL Side gap	

We recommend planning with **DYNALOG**.

Planning

**Cutting dim. for 16 mm chipboard**

B	Drawer base width
L	Drawer base drawer side length
LW	Inner cabinet width
NL	Nominal length
PM	Installation dimension
PTA	Connection cabinet installation depth
Y	Drawer back width

We recommend planning with **DYNALOG**.

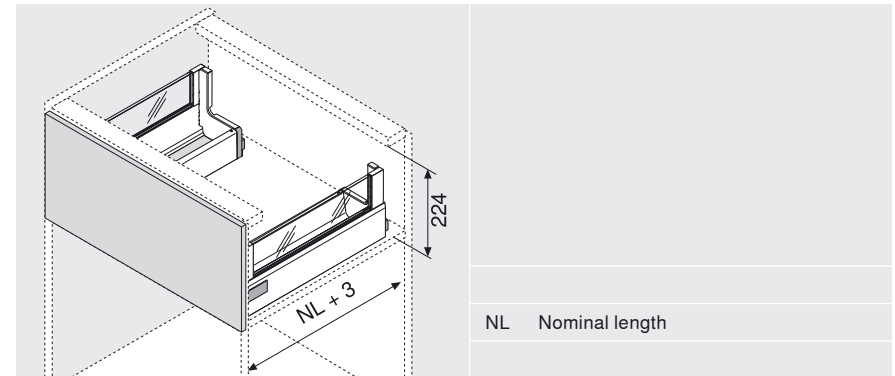
# TANDEMBOX intivo

## Sink pull-out with BOXCOVER

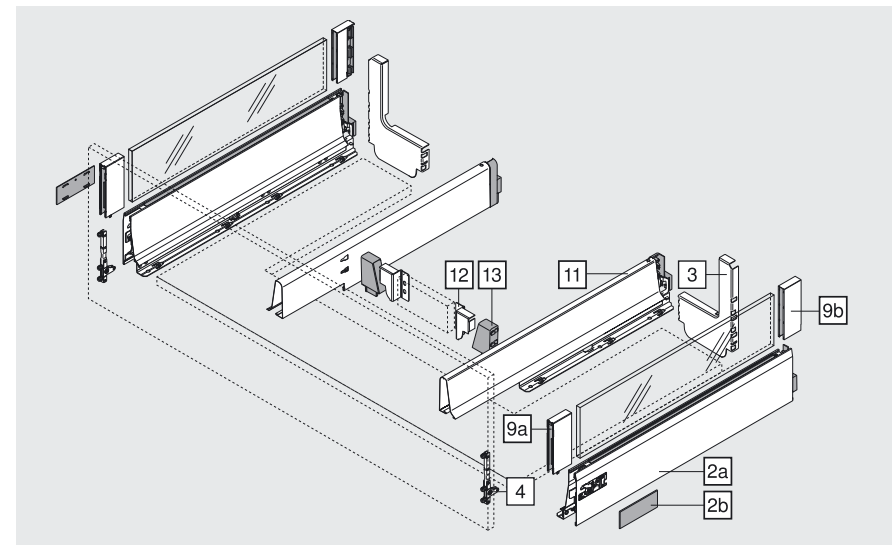
### Product



### Space requirement





### Order specification

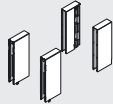


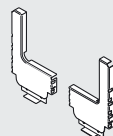
Order specification

2a, 2b	L drawer side left/right and cover caps		
	Colour variants	SW	TS
	Nominal length	Steel      Inox	
	450 mm	<b>358L4502SA2</b>	<b>358L4502IA2</b>
	500 mm	<b>358L5002SA2</b>	<b>358L5002IA2</b>
	550 mm	<b>358L5502SA2</b>	<b>358L5502IA2</b>
	600 mm	<b>359L6002SA2</b>	<b>359L6002IA2</b>
	650 mm	<b>359L6502SA2</b>	<b>359L6502IA2</b>
	SW	Silk white	
TS	Terra black		

4	Front fixing brackets for high fronted pull-out		
	Screw-on*	2x	<b>ZSF.5220</b>
	EXPANDO	2x	<b>ZSF.532E</b>
	Ø 3.5 x 15 mm		<b>609.1500</b>
	Ø 3.5 x 17 mm		<b>609.1700</b>

Cabinet profiles		
Order specification	Page	<b>68</b>

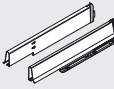
9a, 9b	BOXCOVER front/back		
	Colour variants	SW	TS
	Glass design elements available through hardware distributor – see separate order specification.	Steel      Inox	
		<b>Z36L002G.S</b>	<b>Z36L002G.I</b>

3	Steel back L-shape left/right		
	Colour variants	SW	TS      Nickel plated
		Steel	
		<b>Z30D120S.6</b>	

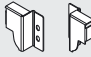
# TANDEMBOX intivo

## Sink pull-out with BOXCOVER

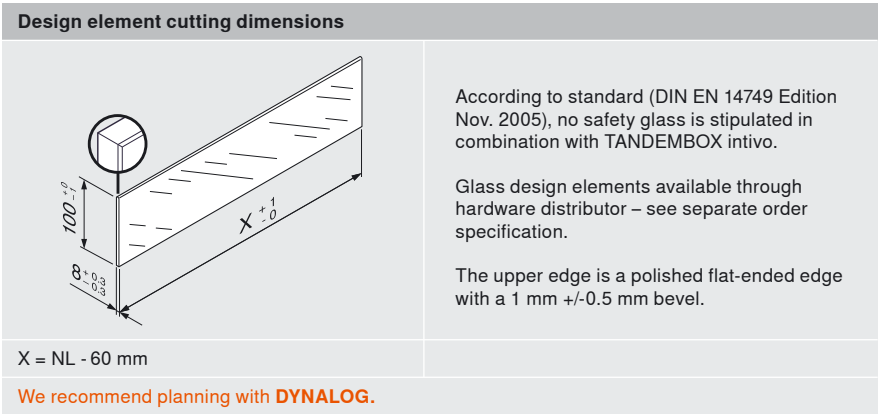
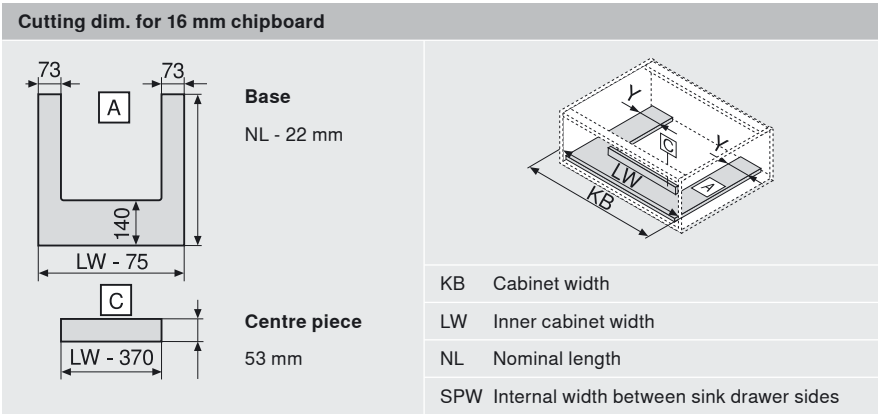
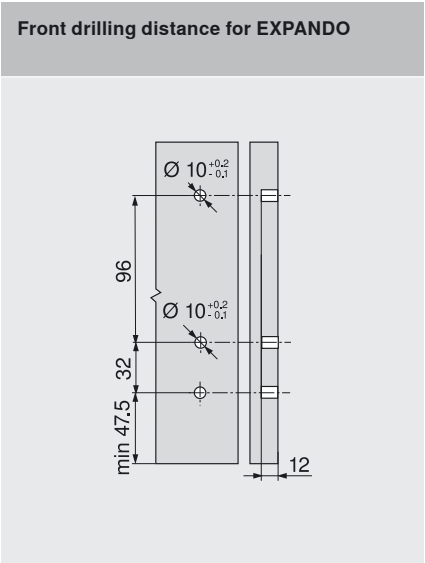
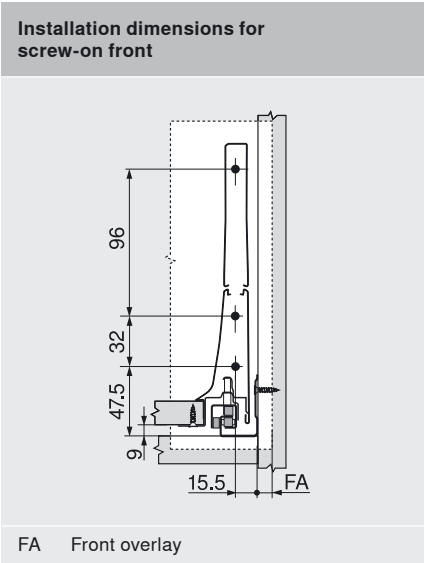
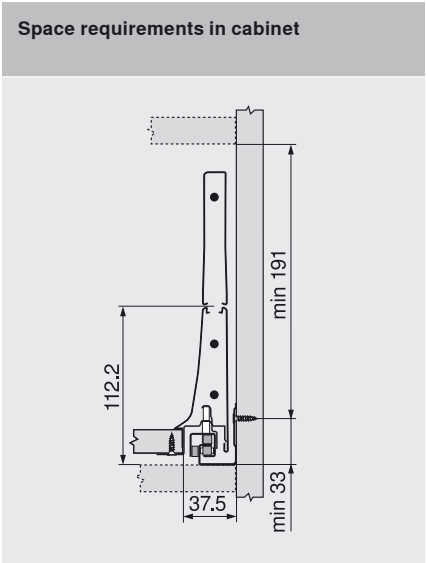
### Order specification

11	Sink drawer side left/right		
	Colour variants	SW	TS
	Nominal length	Steel      Inox	
	450 mm	358M4504SG	358M4504IG
	500 mm	358M5004SG	358M5004IG
	550 mm	358M5504SG	358M5504IG
	600 mm	358M6004SG	358M6004IG
	650 mm	358M6504SG	358M6504IG
	SW	Silk white	
	TS	Terra black	

13	Adapter left/right	
	Colour variants	RAL7037
		Nylon
		Z30N002.6Z

12	Back fixing left/right for centre piece		
	Colour variants	SW	TS      Nickel plated
		Steel	
		Z30N000S.04	
	Steel back	Page	69

Planning



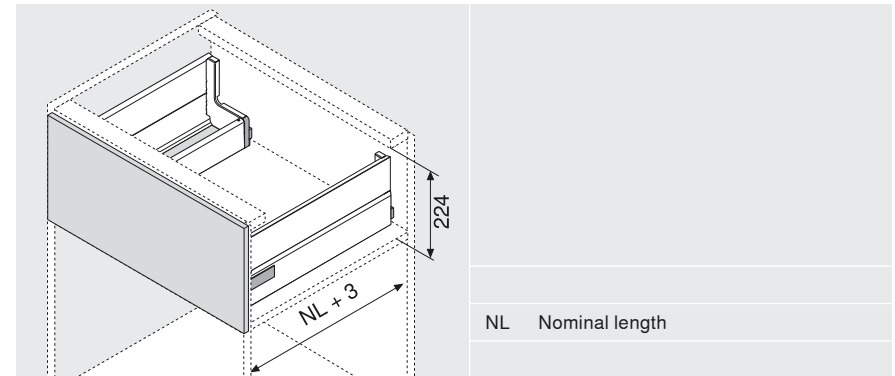
# TANDEMBOX intivo

## Sink pull-out with BOXCAP

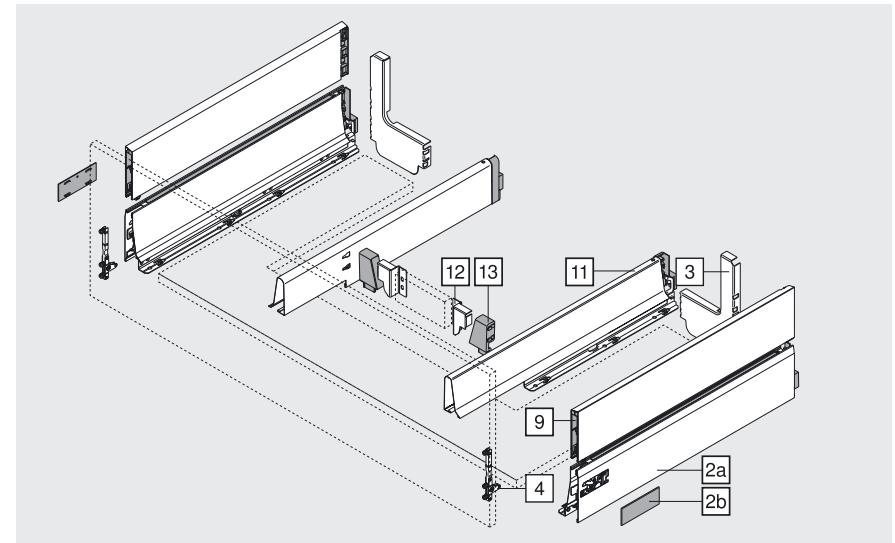
### Product



### Space requirement

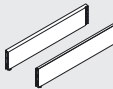


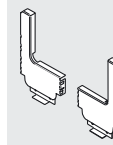
### Order specification





Order specification

2a, 2b	L drawer side left/right and cover caps			
	Colour variants	SW	TS	
	Nominal length	Steel		Inox
	450 mm	358L4502SA2	358L4502IA2	
	500 mm	358L5002SA2	358L5002IA2	
	550 mm	358L5502SA2	358L5502IA2	
	600 mm	359L6002SA2	359L6002IA2	
	650 mm	359L6502SA2	359L6502IA2	
	SW	Silk white		
	TS	Terra black		

9	BOXCAP left/right			
	Colour variants	SW	TS	
	Nominal length	Steel		Inox
	450 mm	Z37L440S.D	Z37L440I.D	
	500 mm	Z37L490S.D	Z37L490I.D	
	550 mm	Z37L540S.D	Z37L540I.D	
	600 mm	Z37L590S.D	Z37L590I.D	
	650 mm	Z37L640S.D	Z37L640I.D	

3	Steel back L-shape left/right			
	Colour variants	SW	TS	Nickel plated
		Steel		
		Z30D120S.6		

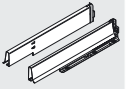
4	Front fixing brackets for high fronted pull-out			
	Screw-on*	2x	ZSF.5220	
	EXPANDO	2x	ZSF.532E	
	Ø 3.5 x 15 mm		609.1500	
	Ø 3.5 x 17 mm		609.1700	


Cabinet profiles			
Order specification	Page	68	

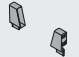
# TANDEMBOX intivo

## Sink pull-out with BOXCAP

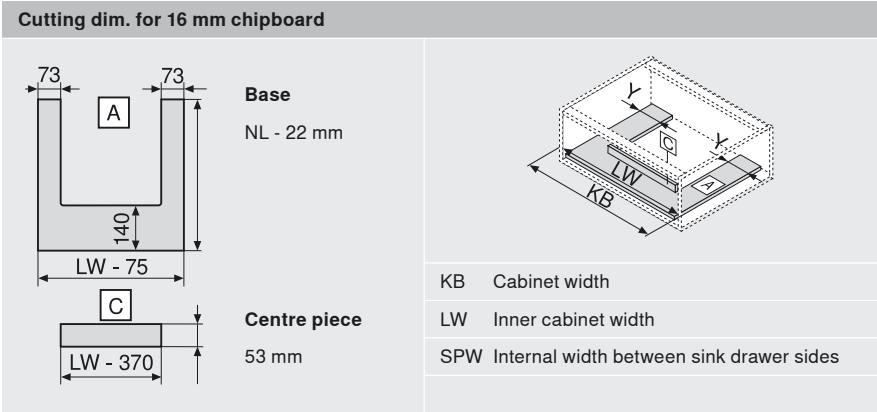
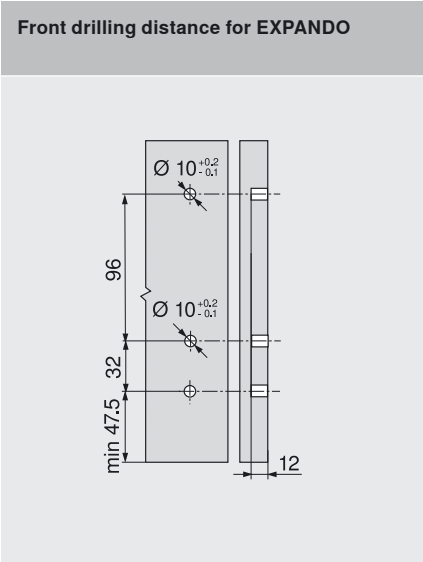
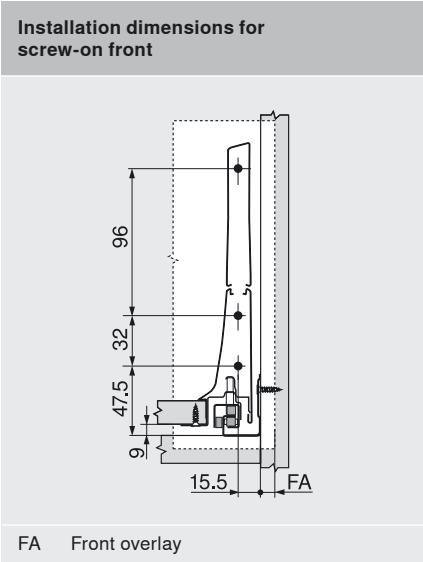
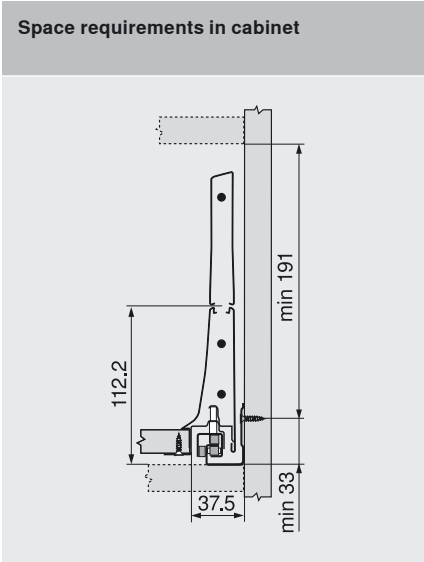
### Order specification

11	Sink drawer side left/right		
	Colour variants	SW	TS
	Nominal length	Steel      Inox	
	450 mm	358M4504SG	358M4504IG
	500 mm	358M5004SG	358M5004IG
	550 mm	358M5504SG	358M5504IG
	600 mm	358M6004SG	358M6004IG
	650 mm	358M6504SG	358M6504IG
	SW	Silk white	
	TS	Terra black	

12	Back fixing left/right for centre piece		
	Colour variants	SW	TS      Nickel plated
		Steel	
		Z30N000S.04	
	Steel back	Page	69

13	Adapter left/right	
	Colour variants	RAL7037
		Nylon
		Z30N002.6Z

Planning



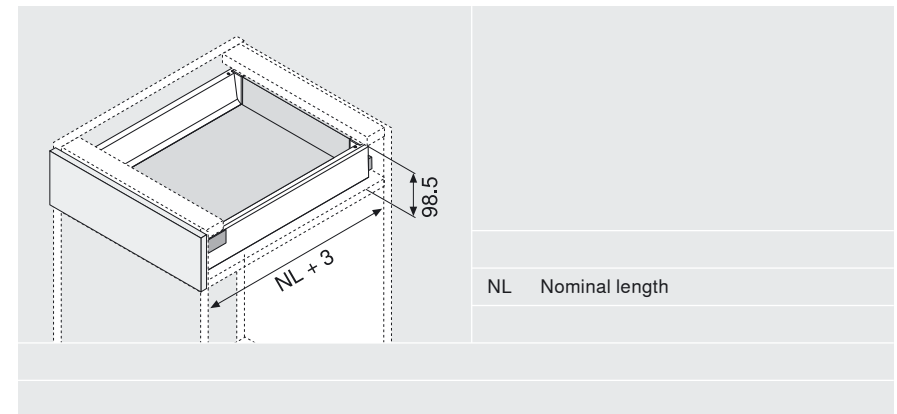
# Suitable drawers for TANDEMBOX intivo

## Drawer M height

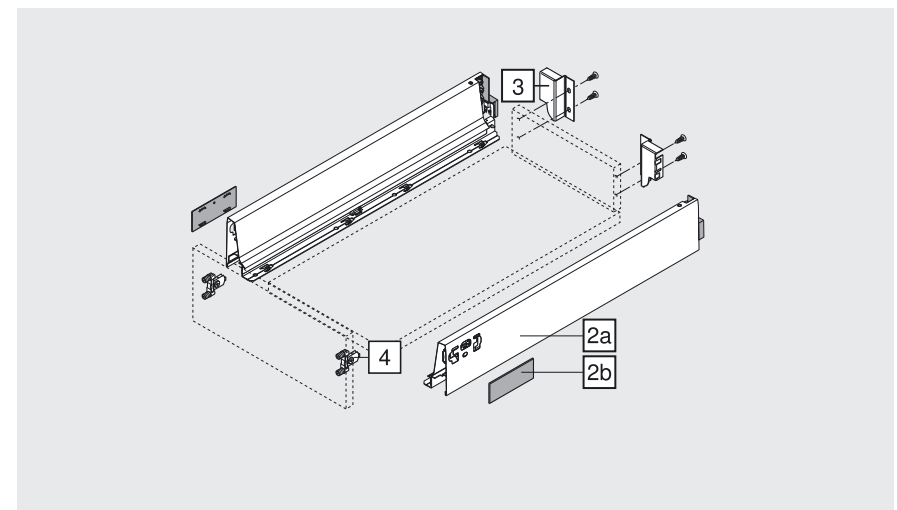
### Product



### Space requirement




### Order specification




Order specification

2a, 2b	M drawer side left/right and cover caps		
	Colour variants	SW	TS
	Nominal length	Steel	
	270 mm	358M2702SA	358M2702IA
	300 mm	358M3002SA	358M3002IA
	350 mm	358M3502SA	358M3502IA
	400 mm	358M4002SA	358M4002IA
	450 mm	358M4502SA	358M4502IA
	500 mm	358M5002SA	358M5002IA
	550 mm	358M5502SA	358M5502IA
	600 mm	359M6002SA	359M6002IA
	650 mm	359M6502SA	359M6502IA
	SW	Silk white	
	TS	Terra black	

4	Front fixing bracket		
	INSERTA version	2x	ZSF.3902
	Screw-on version	2x	ZSF.3502
	Knock-in version	2x	ZSF.3602

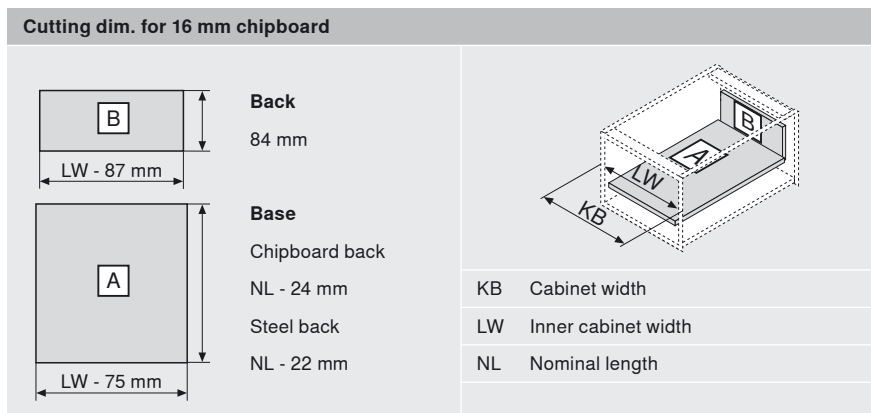
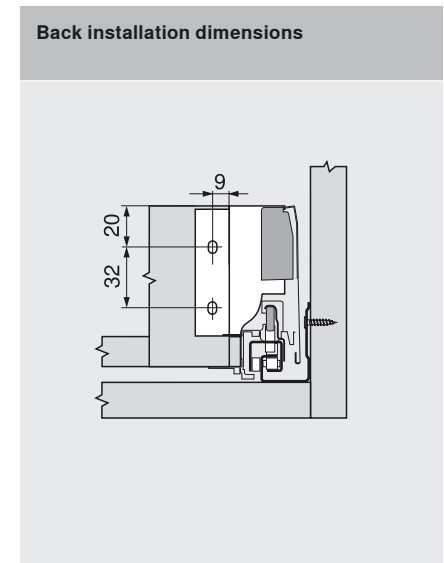
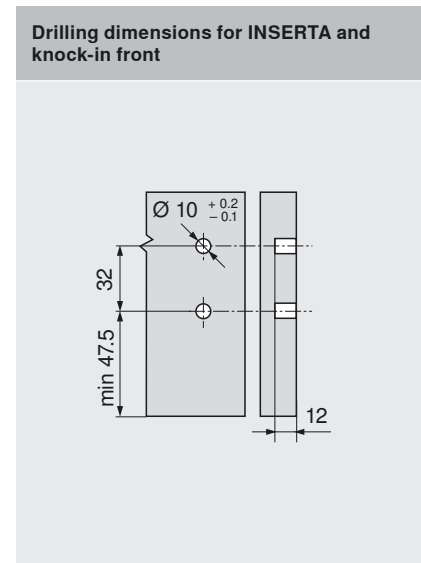
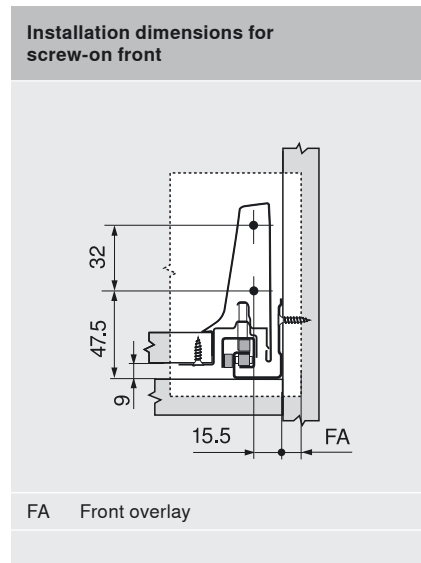
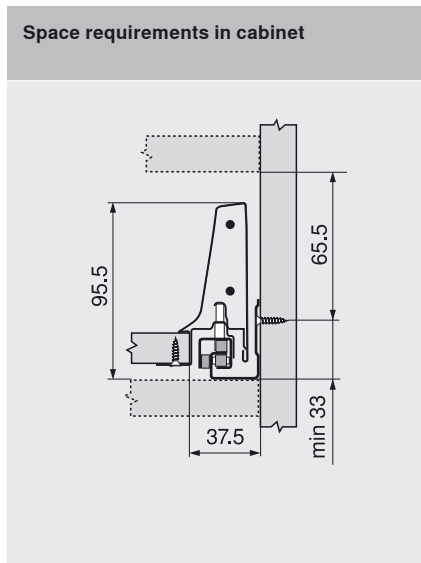
Cabinet profiles		
Order specification	Page	68

3	Back fixing left/right		
	Colour variants	SW	TS Nickel plated
		Steel	
		Z30M000S.04	
	Steel back	Page 69	

# Suitable drawers for TANDEMBOX intivo

## Drawer M height

### Planning



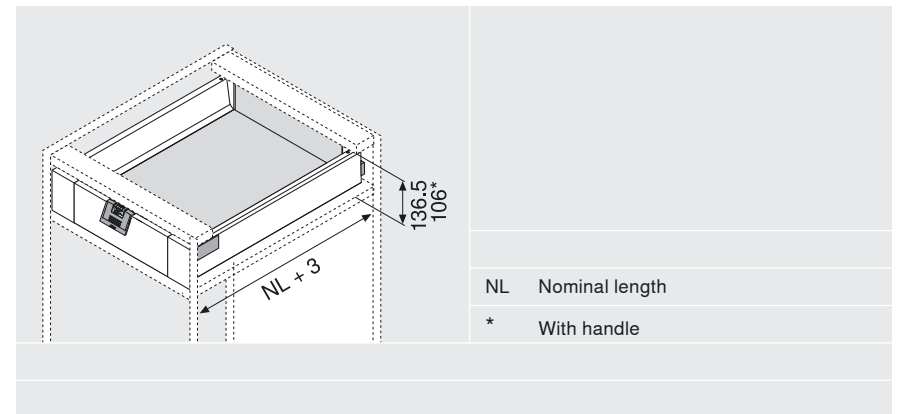
# Suitable inner drawers for TANDEMBOX intivo

## Inner drawer height M

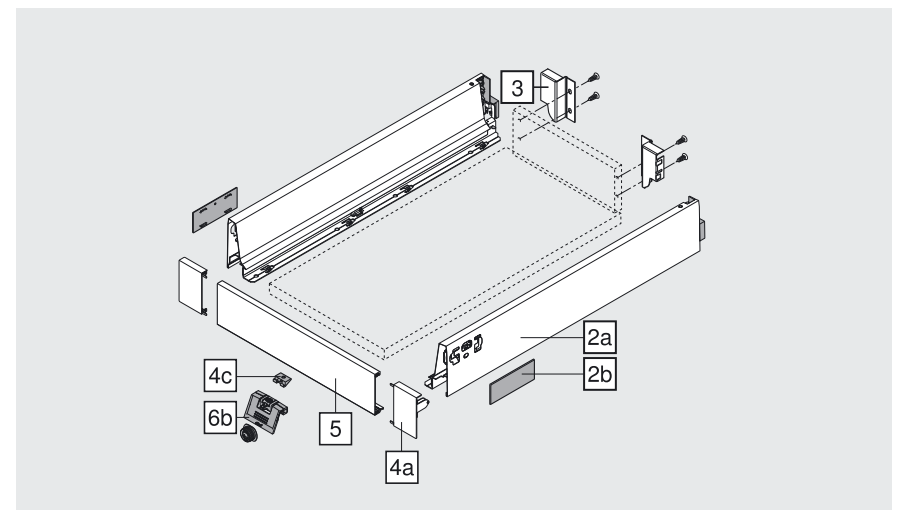
### Product



### Space requirement



### Order specification




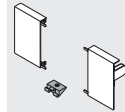
# Suitable inner drawers for TANDEMBOX intivo

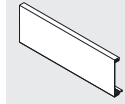
## Inner drawer height M


### Order specification


2a, 2b	M drawer side left/right and cover caps		
	Colour variants	SW	TS
	Nominal length	Steel	
	270 mm	358M2702SA	358M2702IA
	300 mm	358M3002SA	358M3002IA
	350 mm	358M3502SA	358M3502IA
	400 mm	358M4002SA	358M4002IA
	450 mm	358M4502SA	358M4502IA
	500 mm	358M5002SA	358M5002IA
	550 mm	358M5502SA	358M5502IA
	600 mm	359M6002SA	359M6002IA
	650 mm	359M6502SA	359M6502IA
	SW	Silk white	
TS	Terra black		

3	Back fixing left/right		
	Colour variants	SW	TS
		Steel	
		Z30M000S.04	
	Steel back	Page	69

4a, 4c	Front fixing left/right		
	Colour variants	SW	TS
		Steel	
		Nickel plated	
	Incl. locking piece Z31A0008	ZIF.80M0	

5	Front piece without groove		
	Colour variants	SW	TS
		Aluminium	
		Nickel plated	
	For cutting to size	Z31L1036A	

6b	Handle and latch (optional)		
	Colour variants	SW	RAL7037
		Nylon	
		ZIF.80M7	

6c	Handle		
	Colour variants	SW	RAL7037
		Nylon	
		ZIF.80M5	

Cabinet profiles		
Order specification	Page	68

Planning

**Space requirements in cabinet**

\* With ZIF.80M7 can be used with height 73 and higher

**Front drilling distance for latch**

**Back installation dimensions**

**Cutting dim. for 16 mm chipboard**

	<b>Back</b> 84 mm
	<b>Base</b> Chipboard back NL - 24 mm Steel back NL - 22 mm

KB	Cabinet width
LW	Inner cabinet width
NL	Nominal length

**Front piece without groove for cutting to size**

$X = LW - 132 \text{ mm}$

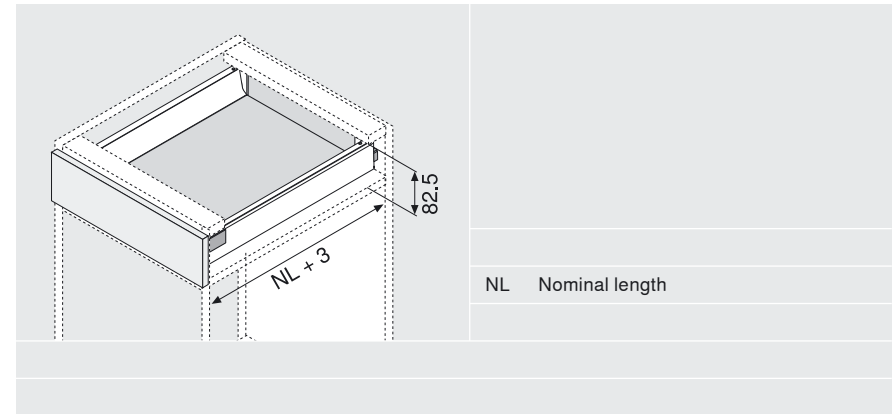
# Suitable drawers for TANDEMBOX intivo

## Drawer height N

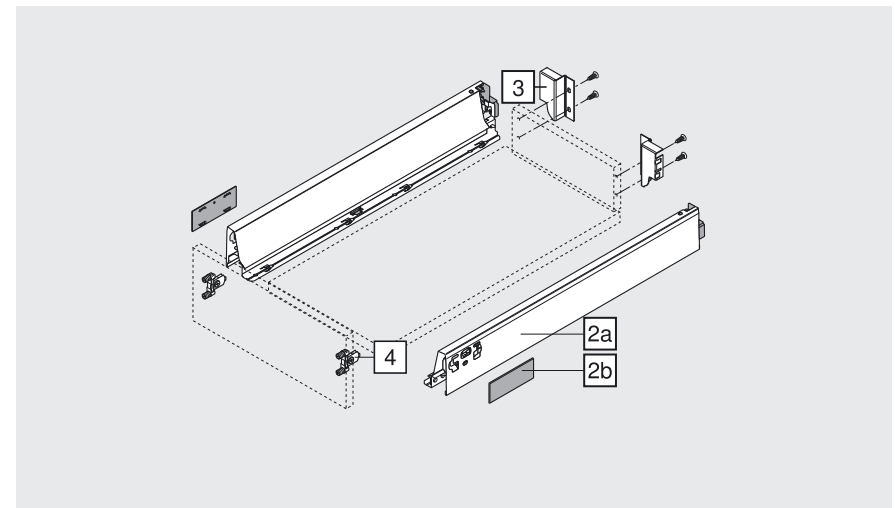
### Product



### Space requirement




### Order specification




Order specification

2a	N drawer side left/right and cover caps		
	Colour variants	SW	TS
	Nominal length	Steel	
	400 mm	358N4002SA	358N4002IA
	450 mm	358N4502SA	358N4502IA
	500 mm	358N5002SA	358N5002IA
	550 mm	358N5502SA	358N5502IA
	SW	Silk white	
	TS	Terra black	

4	Front fixing bracket		
	INSERTA version	2x	ZSF.3902
	Screw-on version	2x	ZSF.3502
	Knock-in version	2x	ZSF.3602

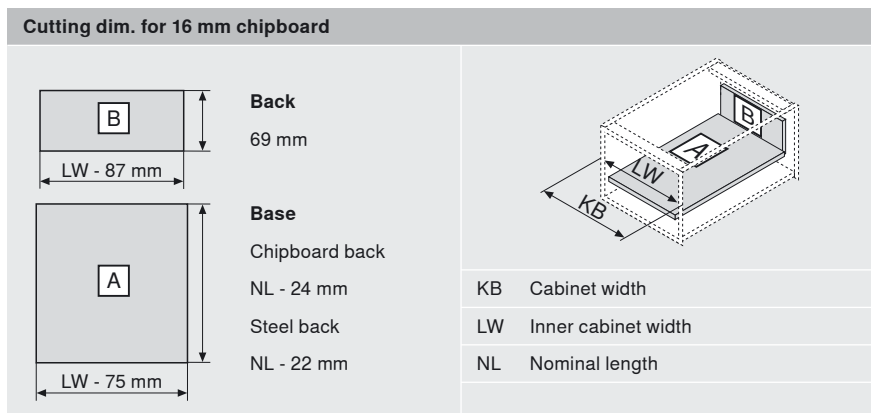
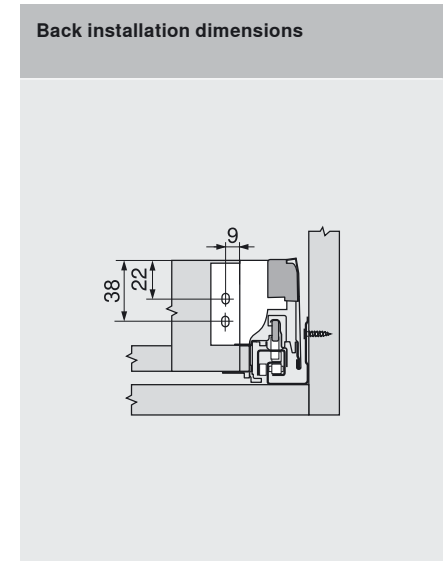
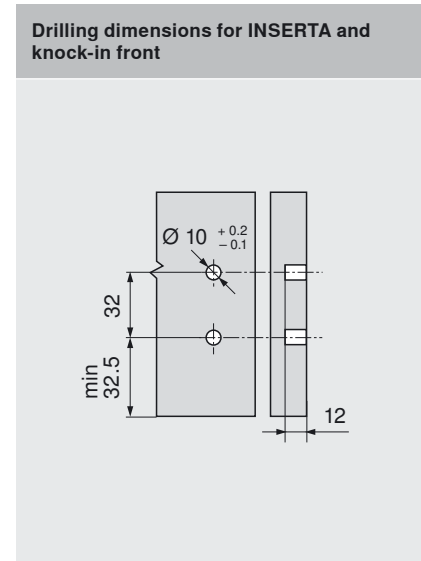
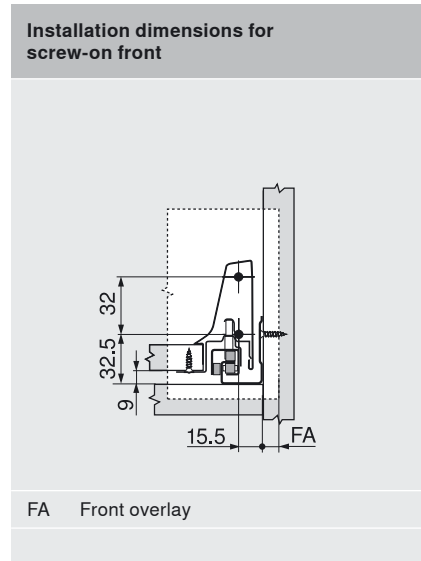
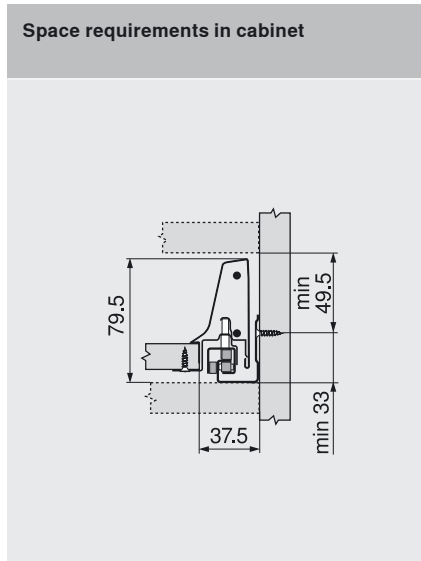
Cabinet profiles		
Order specification	Page	68

3	Back fixing left/right		
	Colour variants	SW	TS Nickel plated
		Steel	
		Z30N000S.04	
	Steel back	Page	69

# Suitable drawers for TANDEMBOX intivo

## Drawer height N

### Planning

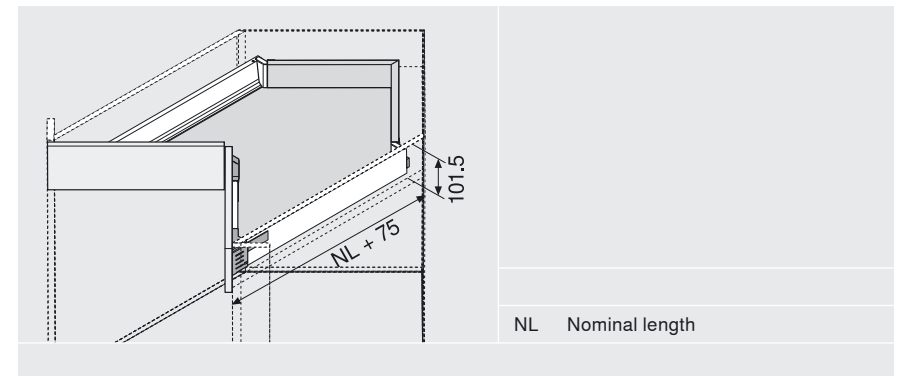


# Suitable drawers for TANDEMBOX intivo SPACE CORNER with SYNCROMOTION – drawer

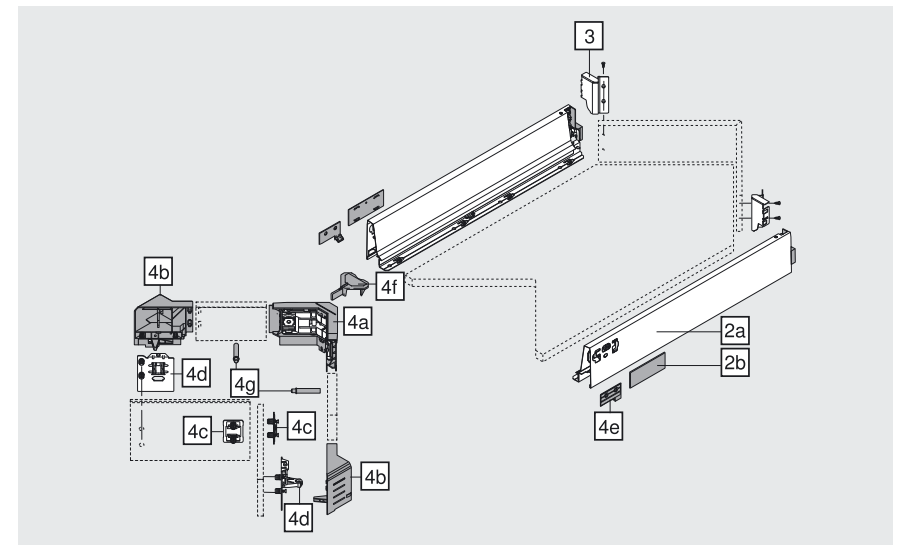
Product



Space requirement



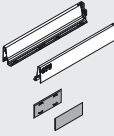
Order specification





# Suitable drawers for TANDEMBOX intivo

## SPACE CORNER with SYNCROMOTION – drawer


### Order specification


2a, 2b	M drawer side left/right and cover caps		
	Colour variants	SW	TS
	Nominal length	Steel      Inox	
	600 mm	359M6002SA	359M6002IA
	650 mm	359M6502SA	359M6502IA
	SW	Silk white	
TS	Terra black		


3	Corner back fixing left/right		
	Colour variants	SW	TS      Nickel plated
		Steel	
		Z30M000S.45	
Steel back	Page	69	


4	SYNCROMOTION set		
	Colour variants	SW	RAL7037
		Nylon	
		Z33M00E0A6	


### Composed of:

4a	Front Syncro fitting	
	1x	–


4f	Gap template	
	4 mm	
	orange	1x –

4b	Corner front piece	
	left/right	
	1x	–

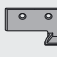
4g	BLUMOTION	
	2x	–

4c	Front fixing Syncro	
	2x	–

4h	Countersunk screw	
	M5 x 25	
	2x	–

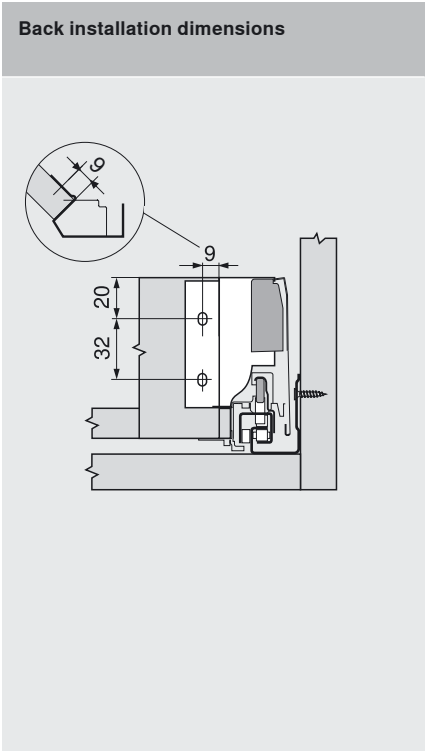
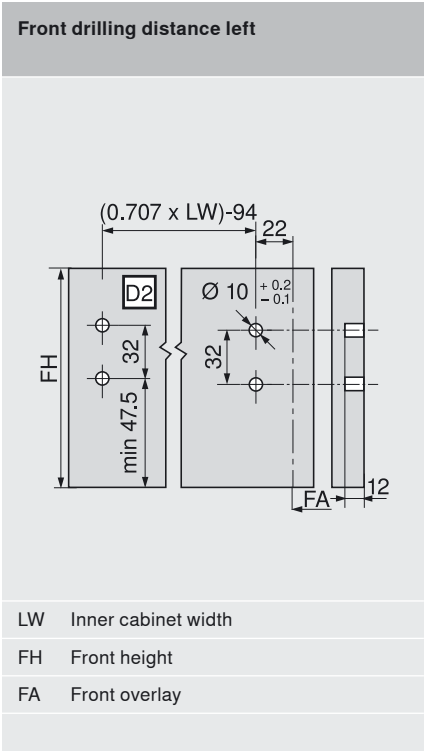
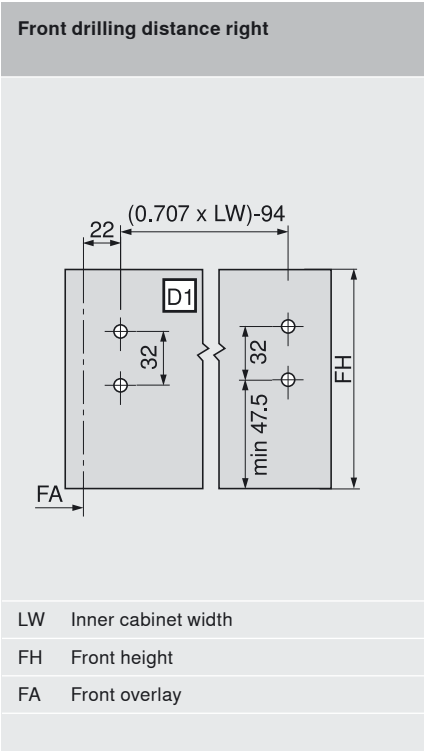
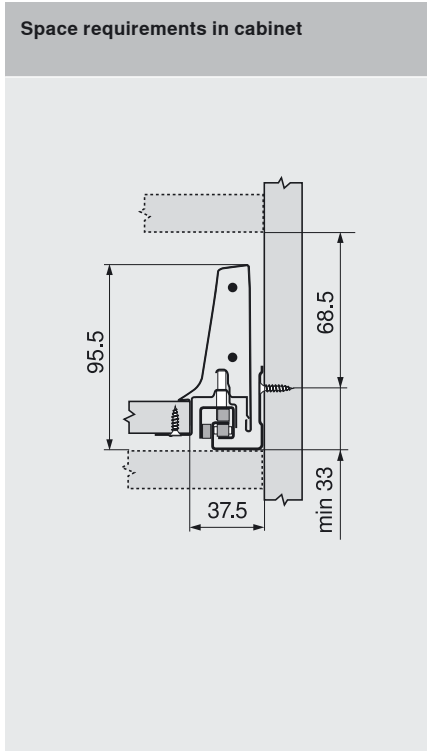
4d	front fixing roll	
	left/right	
	1x	–

4i	Nylon screw	
	4.8 x 30	
	3x	–

4e	Connecting link	
	left/right	
	1x	–

Cabinet profiles		
Order specification		
Page	68	

Planning



# Suitable drawers for TANDEMBOX intivo

## SPACE CORNER with SYNCROMOTION – drawer

### Planning

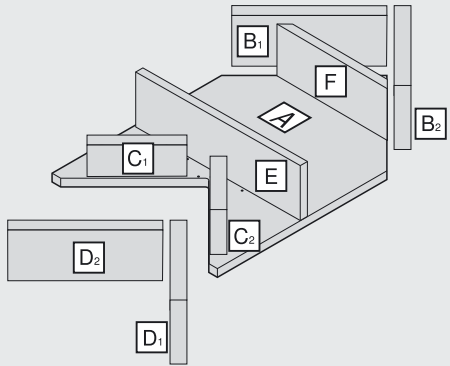
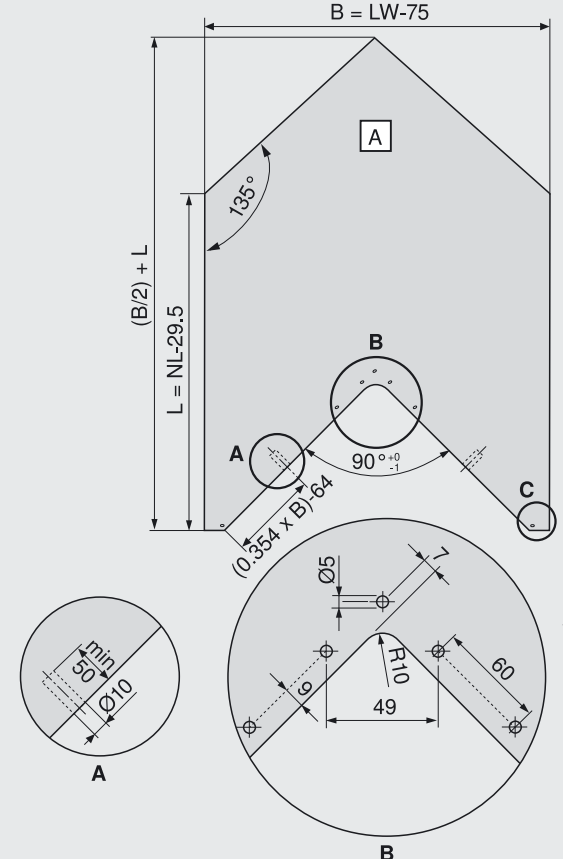
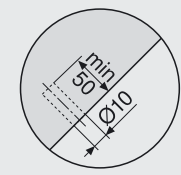
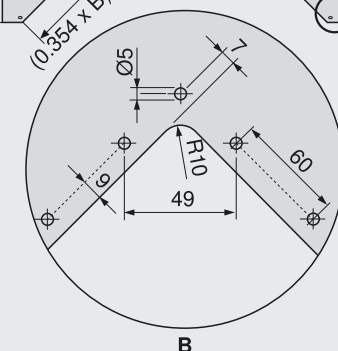
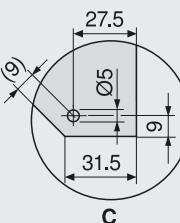
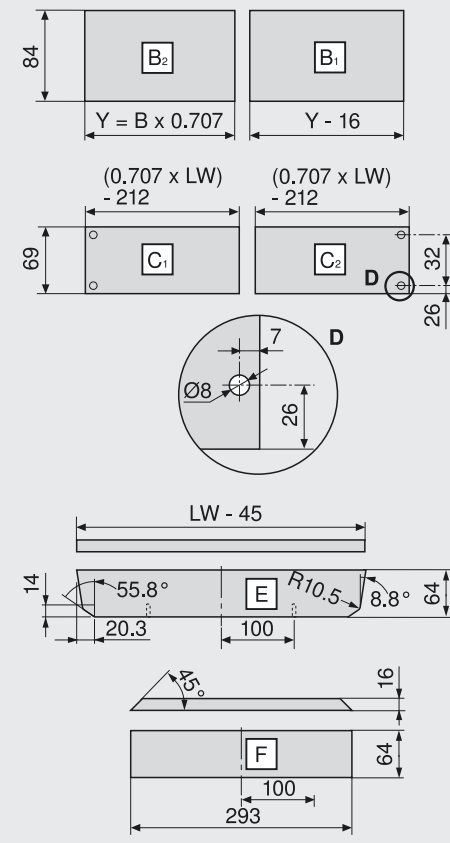
**Cutting dim. for 16 mm chipboard**

$FB = PM - PtA - SL - PD - FS - (2.828 - (FR \times 0.586))$   
 $LW = (PM - PtA - DistD) \times 1.414$

DistD Cabinet connection distance	PD Stop bumper thickness	
FB Front width	NL Nominal length	
FR Front radius	PM Installation dimension	
FS Front thickness	PtA Connection cabinet installation depth	
LW Inner cabinet width	SL Side gap	We recommend planning with <b>DYNALOG</b> .

Planning

**Cutting dim. for 16 mm chipboard**

B	Drawer base width
L	Drawer base drawer side length
LW	Inner cabinet width
NL	Nominal length
PM	Installation dimension
PTA	Connection cabinet installation depth
Y	Drawer back width

We recommend planning with **DYNALOG**.

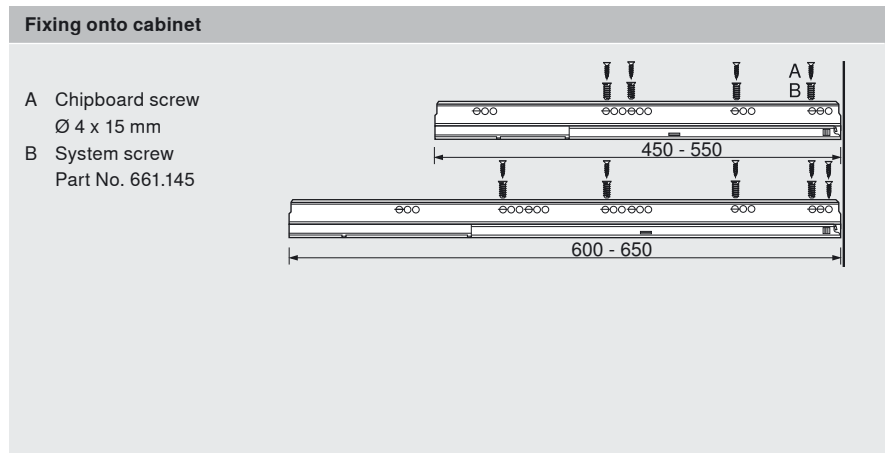
# TANDEMBOX intivo

## Cabinet profile and fixing positions

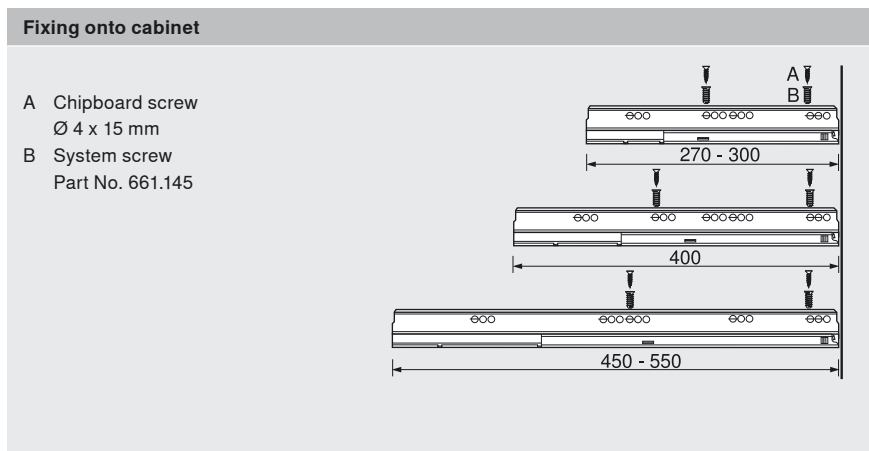
### Order specification

Cabinet profiles left/right				
	Nominal length	30 kg	50 kg	65 kg
	270 mm	558.2701B		
	300 mm	558.3001B		
	350 mm	558.3501B01		
	400 mm	558.4001B01		
	450 mm	558.4501B01	559.4501B	556.4501B
	500 mm	558.5001B	559.5001B	556.5001B
	550 mm	558.5501B	559.5501B	556.5501B
	600 mm		559.6001B	556.6001B
	650 mm		559.6501B	556.6501B

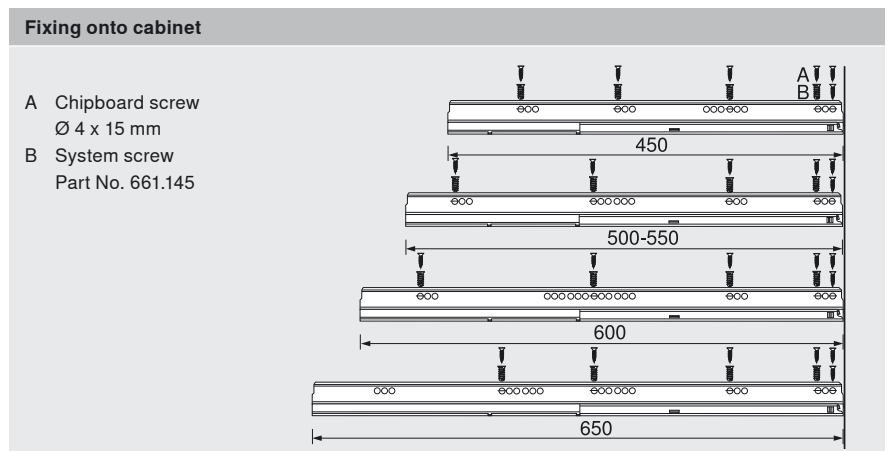
### Cabinet profile 559 – 50 kg



### Cabinet profile 558 – 30 kg



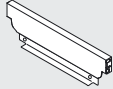
### Cabinet profile 556 – 65 kg

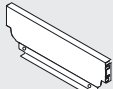


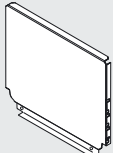
# TANDEMBOX intivo


## Accessories – Steel back

### Order specification

N back				
	Colour variants	SW	TS	Nickel plated
		Steel		
		☎ Z30NxxxS.6		
	SW Silk white			
TS Terra black				

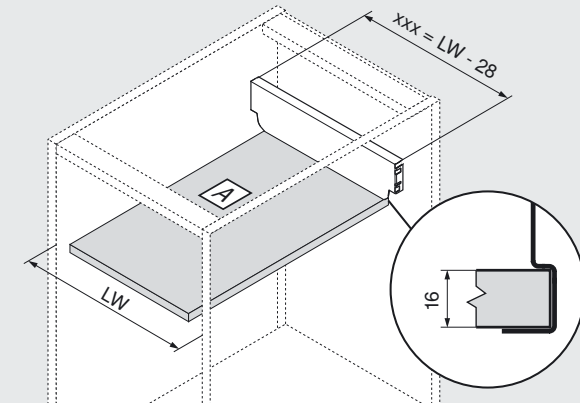
M back				
	Colour variants	SW	TS	Nickel plated
		Steel		
		☎ Z30MxxxS.6		

D back				
	Colour variants	SW	TS	Nickel plated
		Steel		
		☎ Z30DxxxS.6		

Centre bit				
	To pre-drill for chipboard screws			
		☎ M01.ZZ03		

### Planning

#### Calculation of width



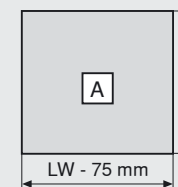
LW Inner cabinet width      xxx Width

Example:

Inner cabinet width 567 mm - 28 mm = back width 539 mm

Order: Z30M539S in white

#### Cutting dim. for 16 mm chipboard



**Base**  
NL - 22 mm

We recommend using the centre bit for optimal base assembly.

LW Inner cabinet width

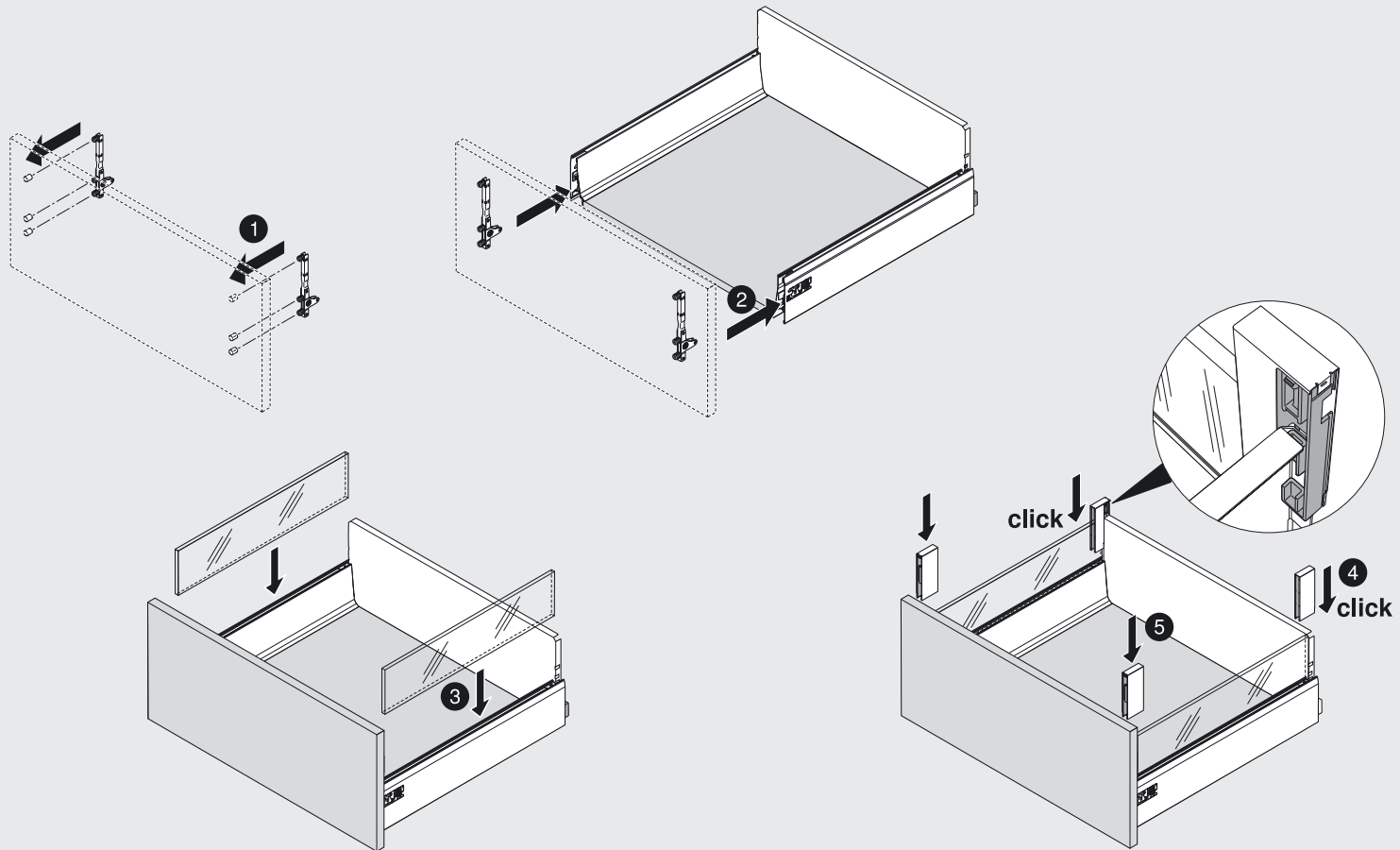
NL Nominal length

# TANDEMBOX intivo

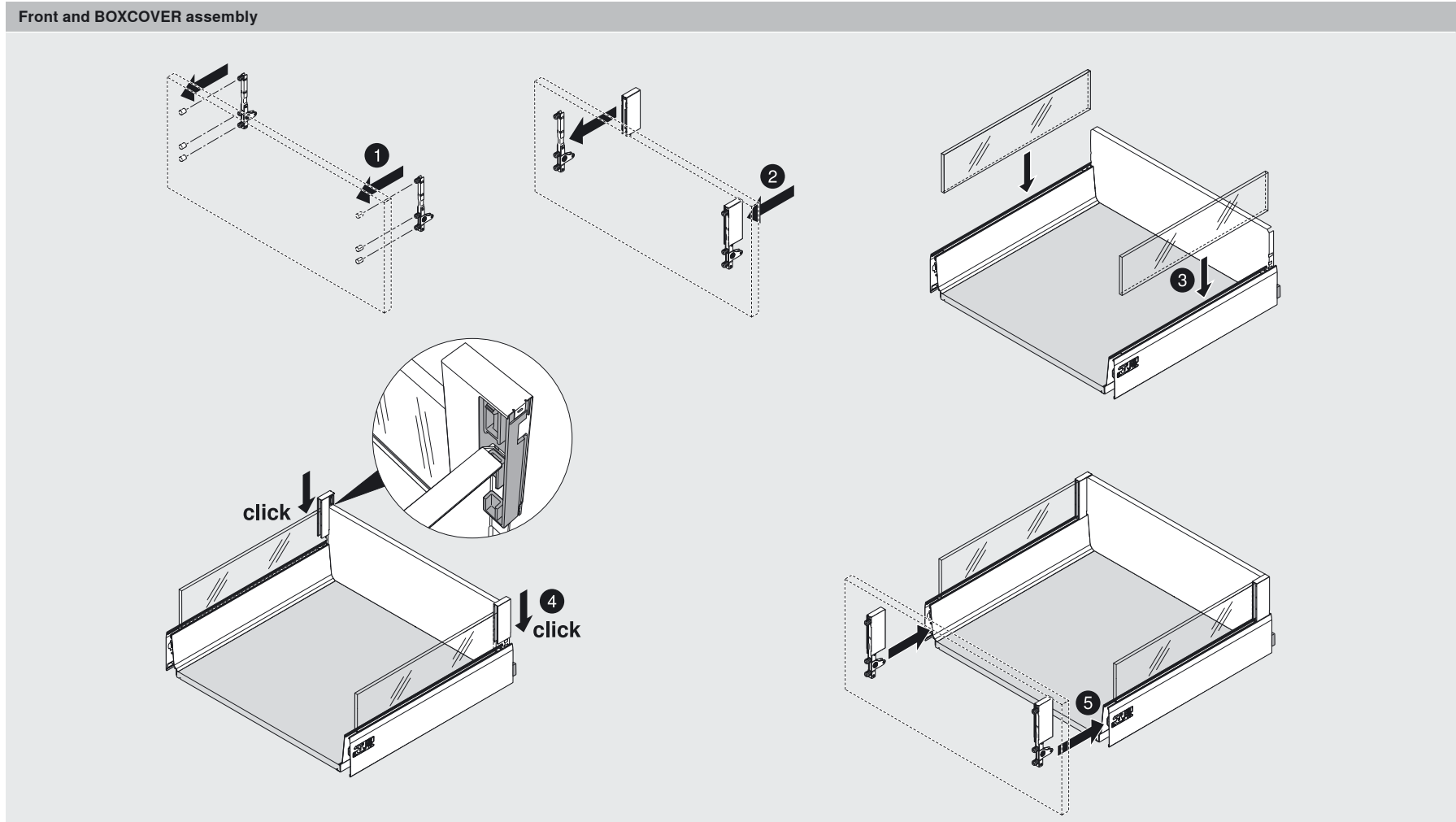
## Assembly

BOXCOVER – variant 1

Front and BOXCOVER assembly



BOXCOVER – variant 2 – for sensitive fronts

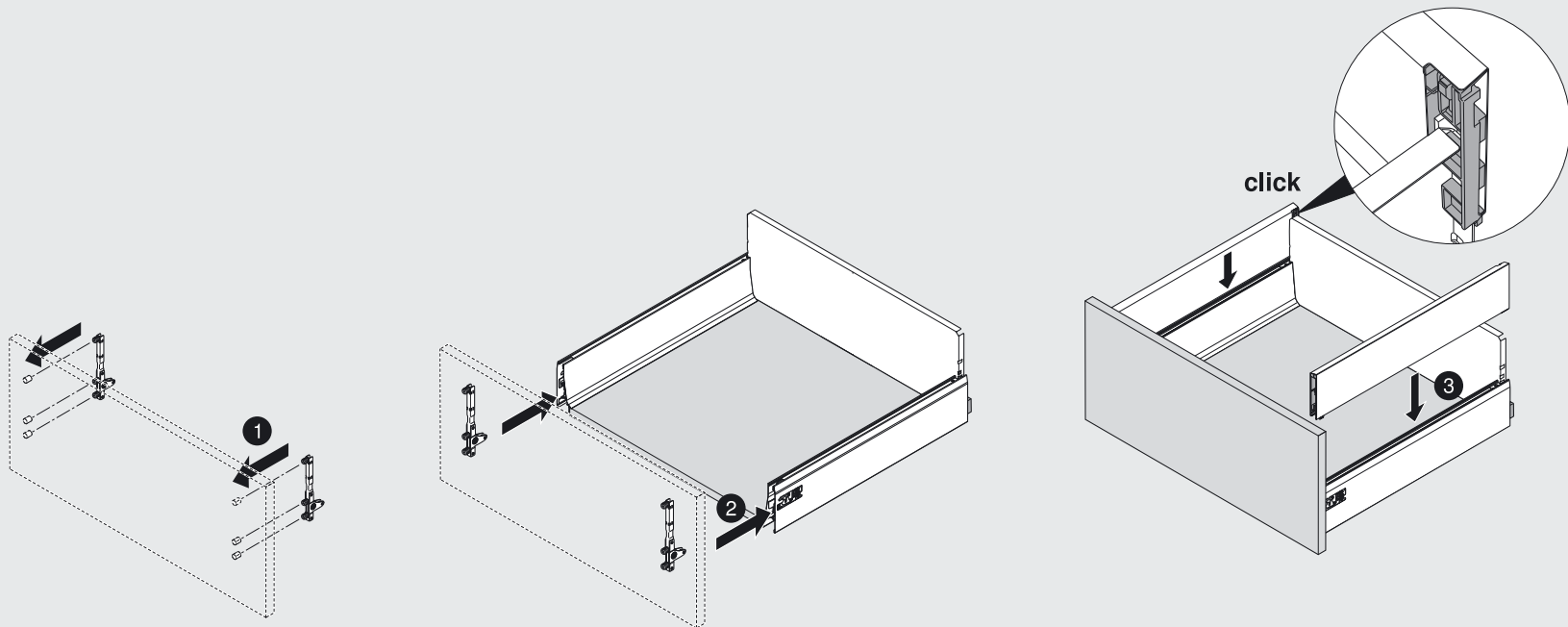


# TANDEMBOX intivo

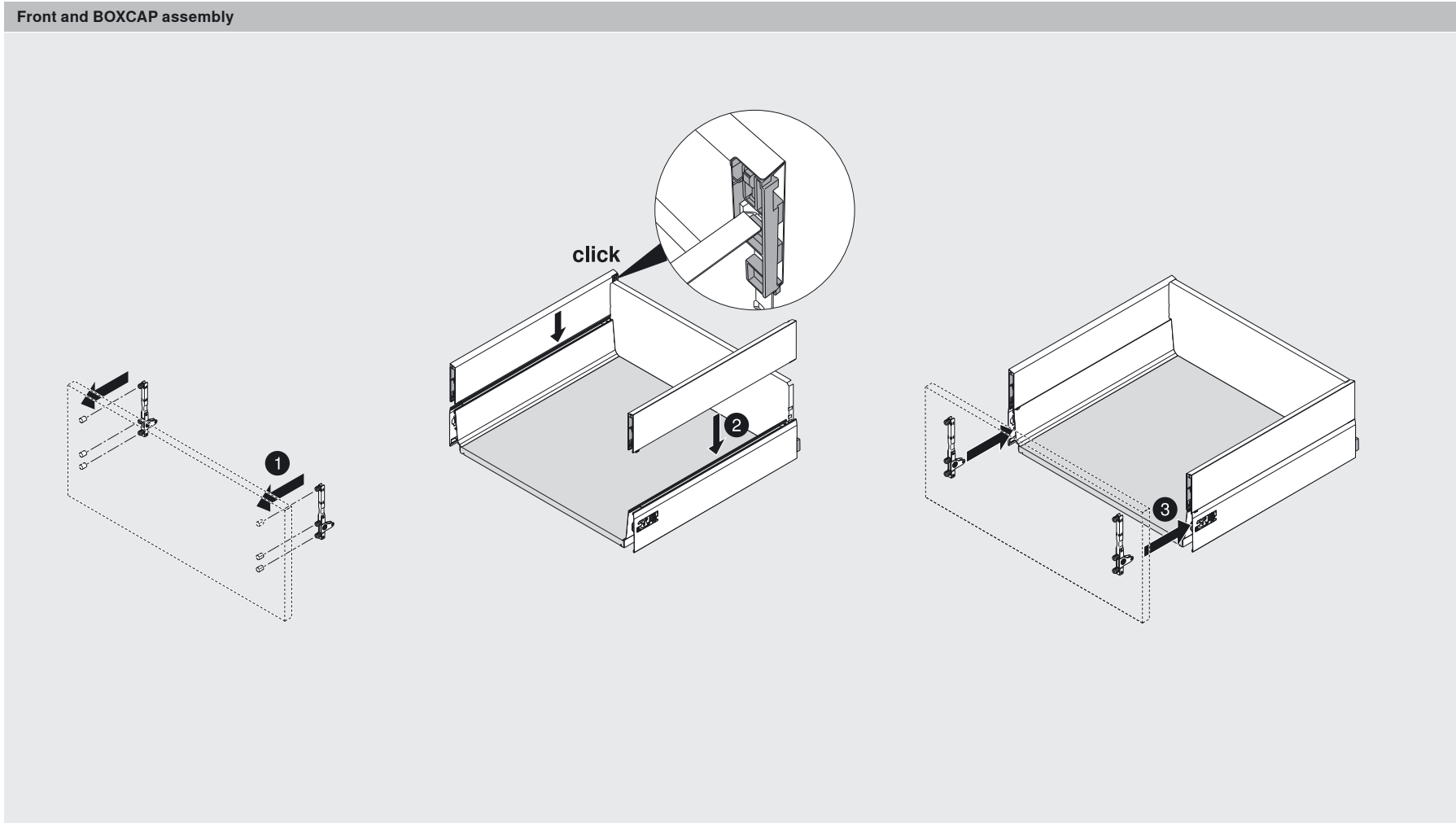
## Assembly

BOXCAP – variant 1

Front and BOXCAP assembly



BOXCAP – variant 2 – for sensitive fronts

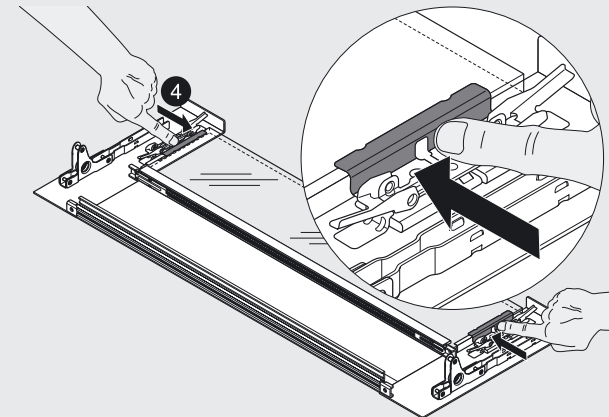
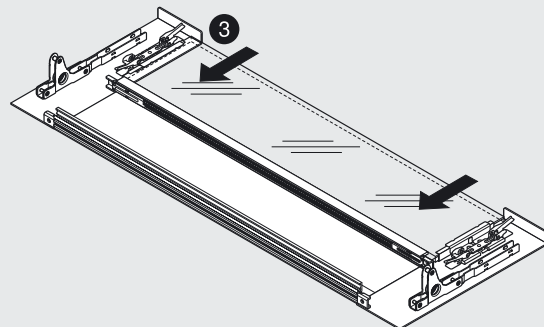
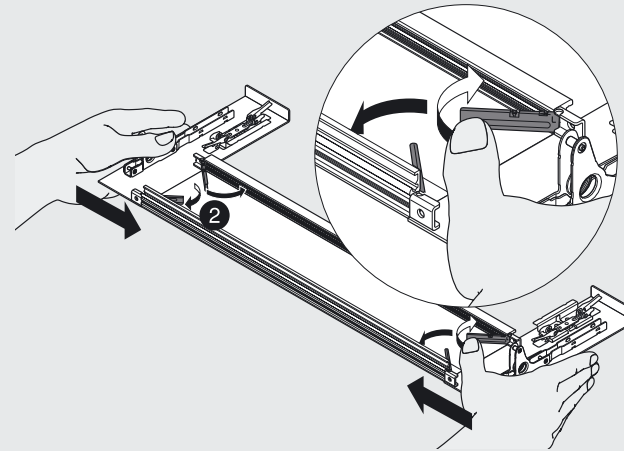
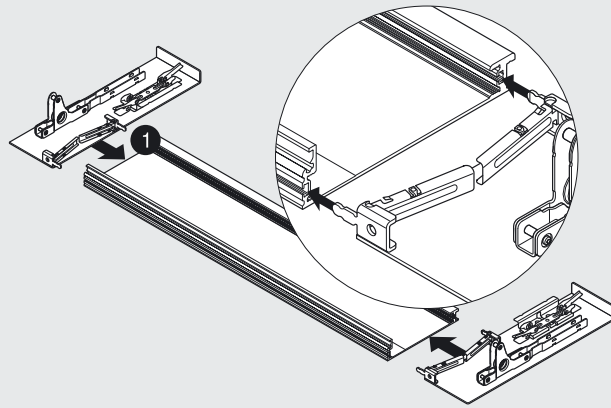


# TANDEMBOX intivo

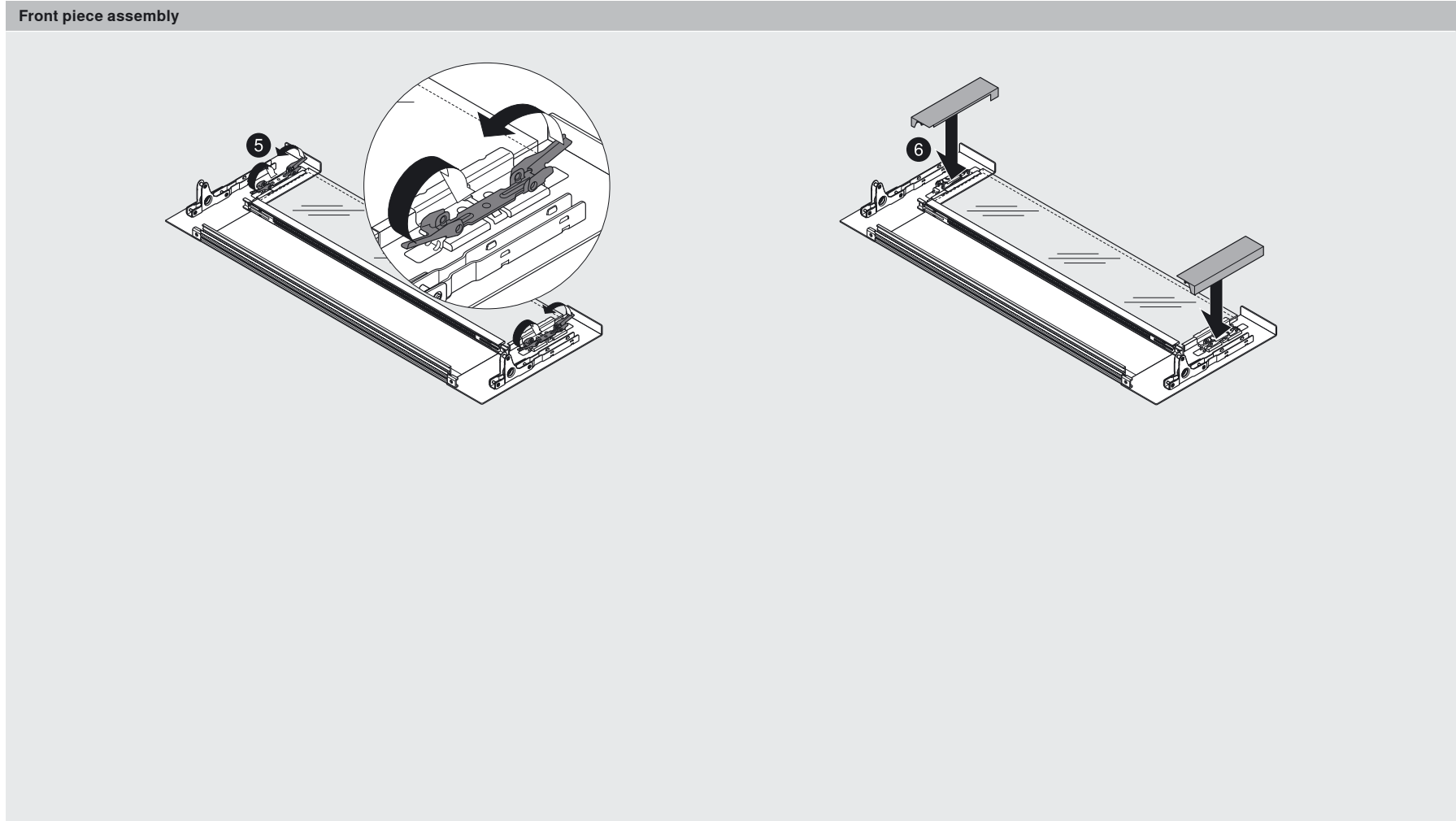
## Assembly

Inner pull-out with design element

Front piece assembly



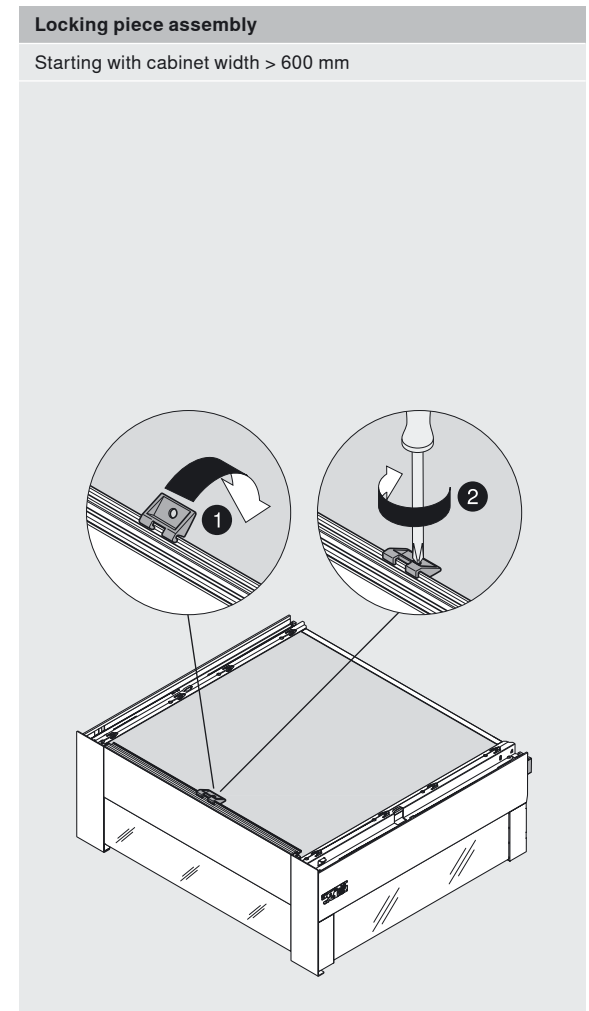
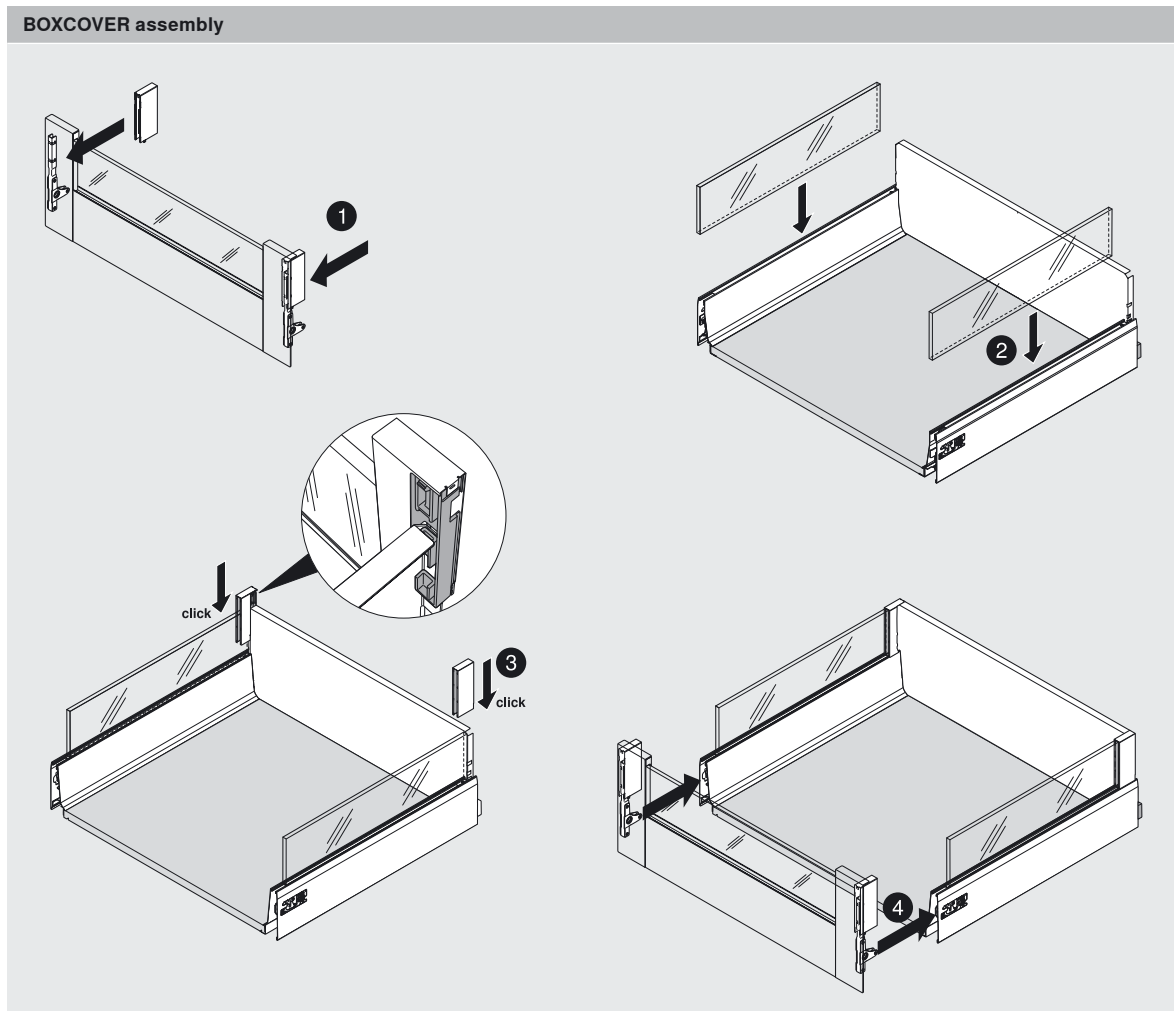
Inner pull-out with design element



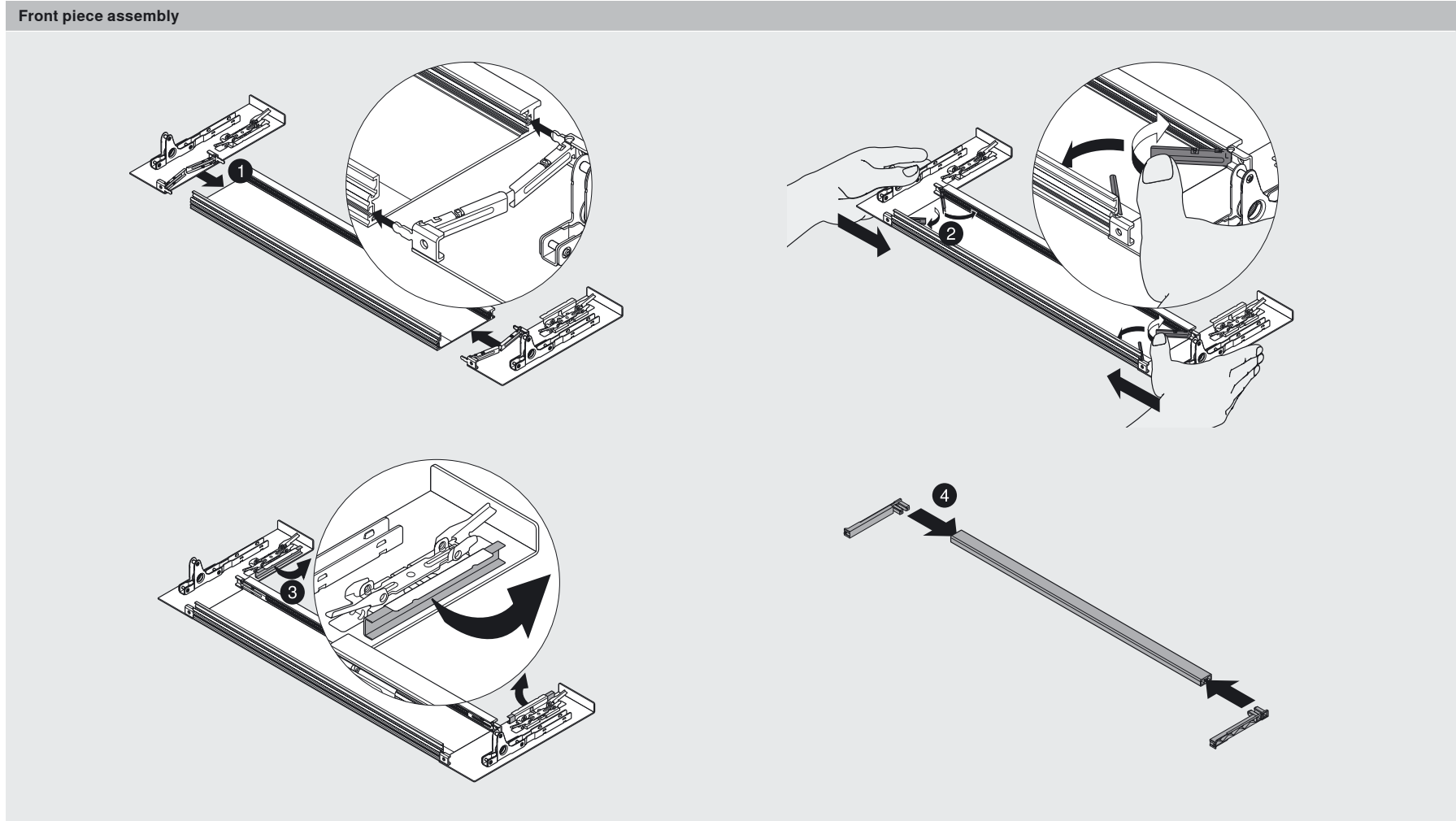
# TANDEMBOX intivo

## Assembly

Inner pull-out with design element



Inner pull-out with cross gallery

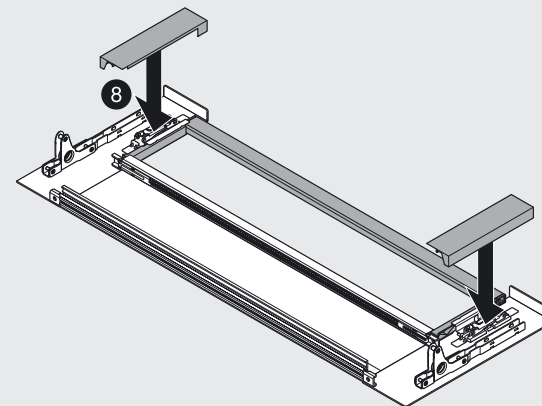
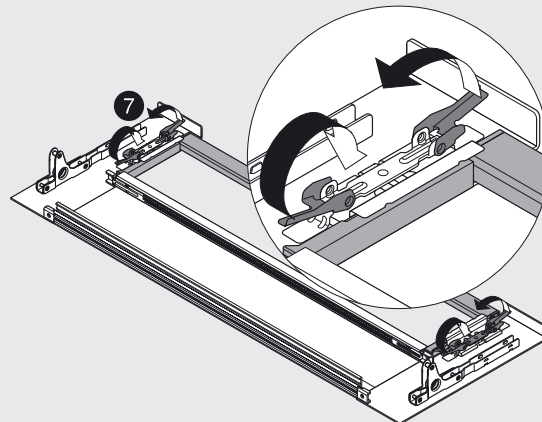
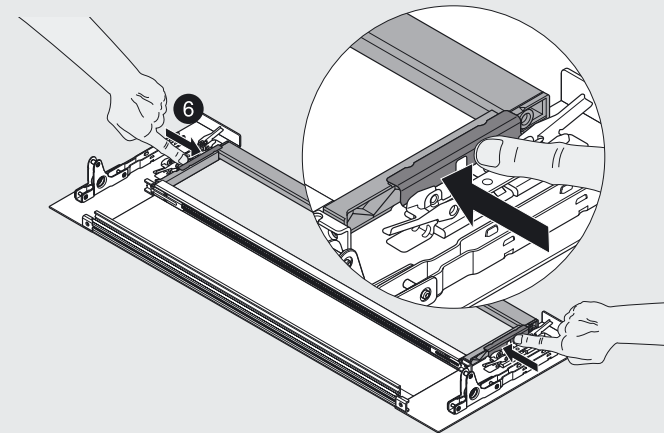
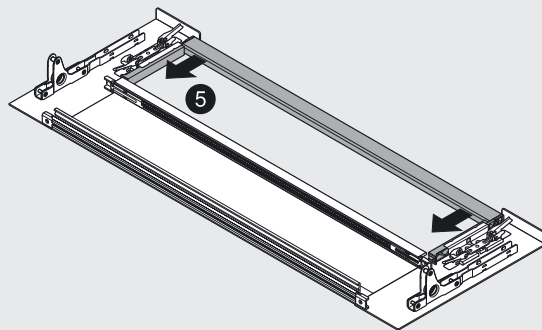


# TANDEMBOX intivo

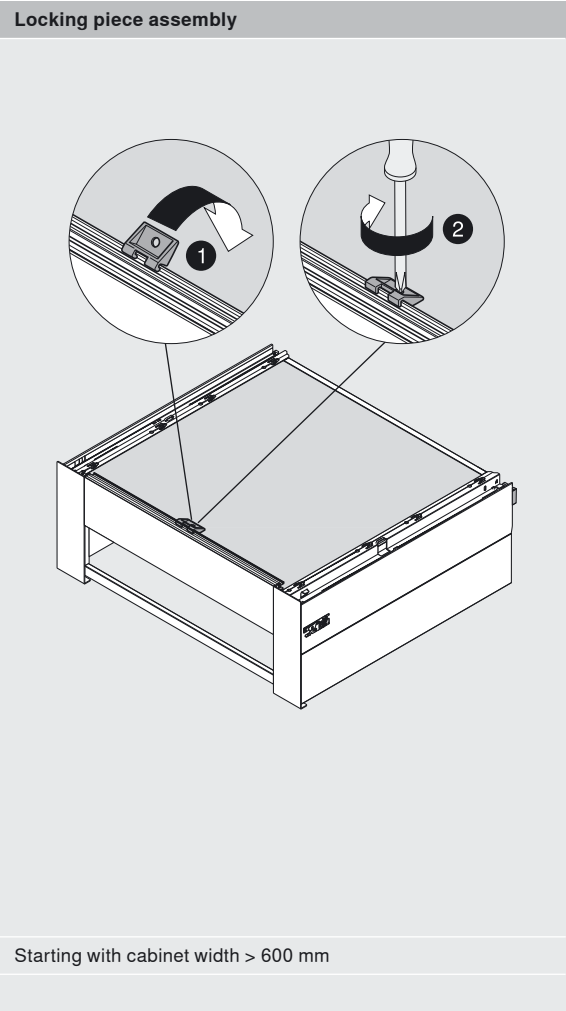
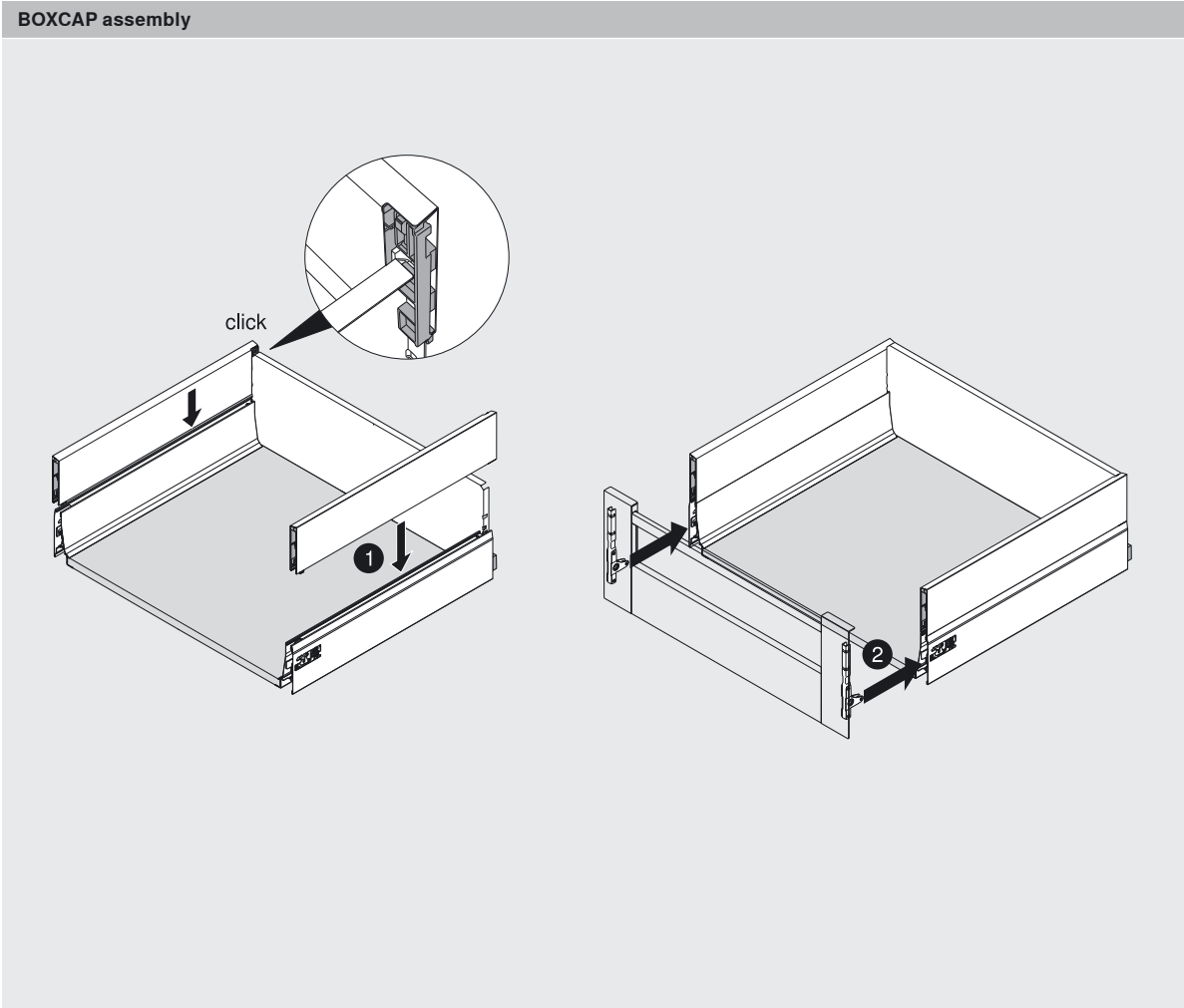
## Assembly

Inner pull-out with cross gallery

Front piece assembly



Inner pull-out with cross gallery

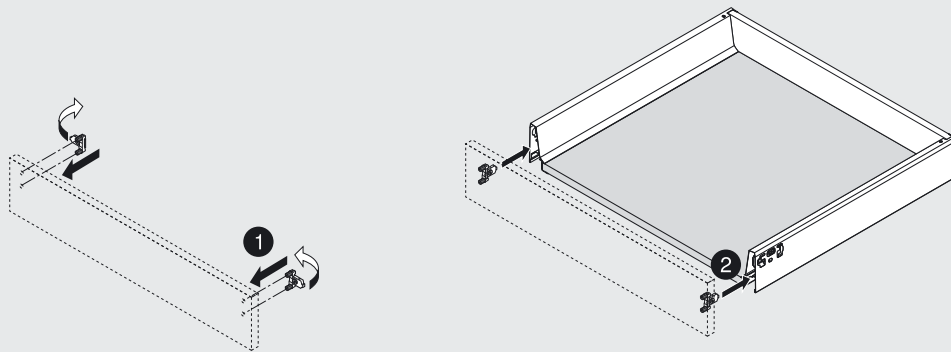


# Suitable drawers for TANDEMBOX intivo

## Assembly

Drawer height M and height N

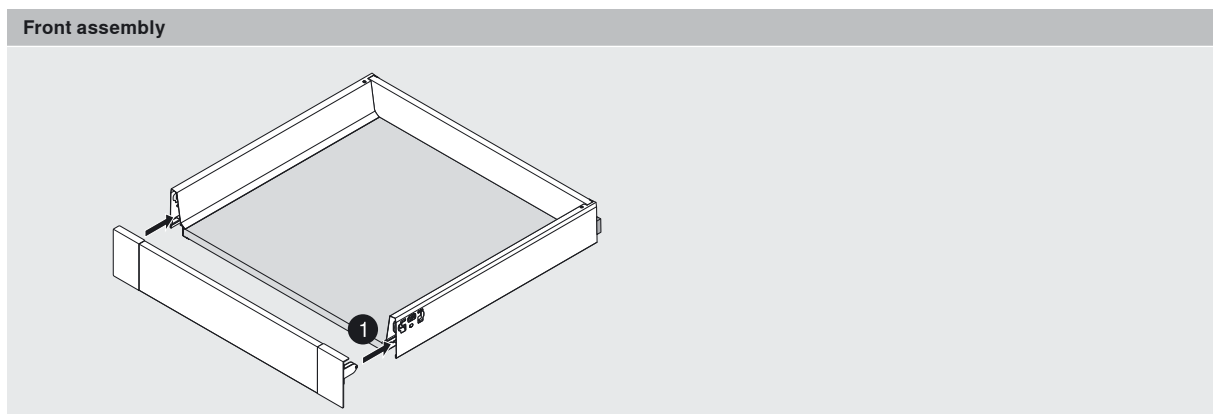
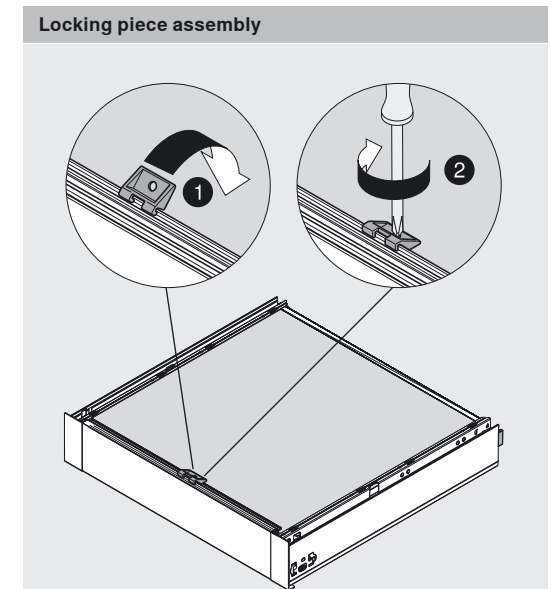
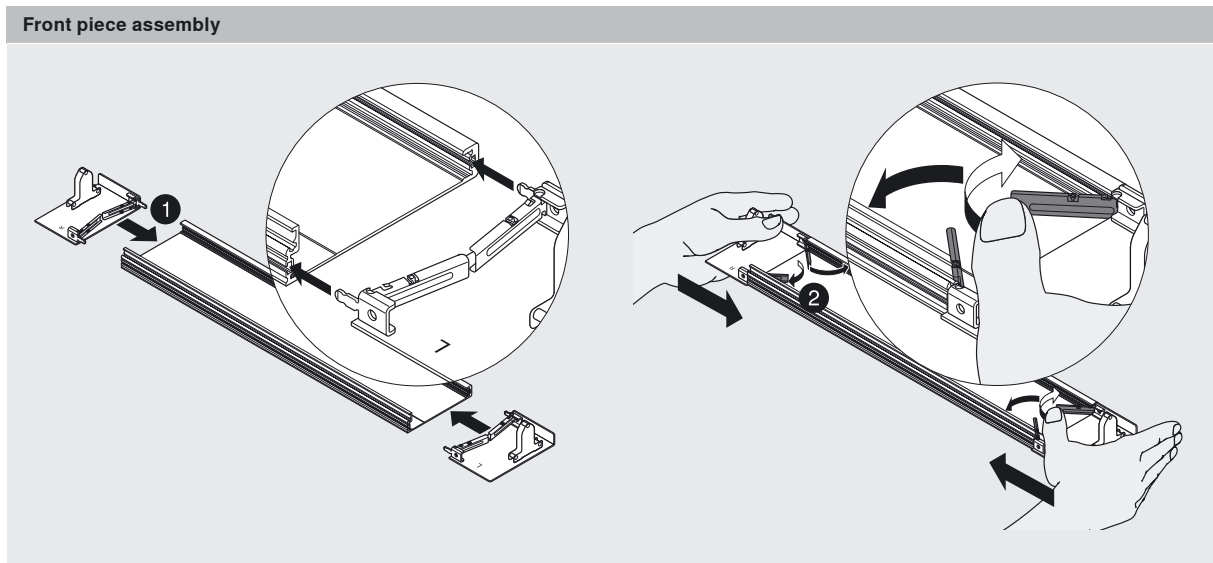
Front assembly



# Suitable inner drawers for TANDEMBOX intivo

## Assembly

### Inner drawer

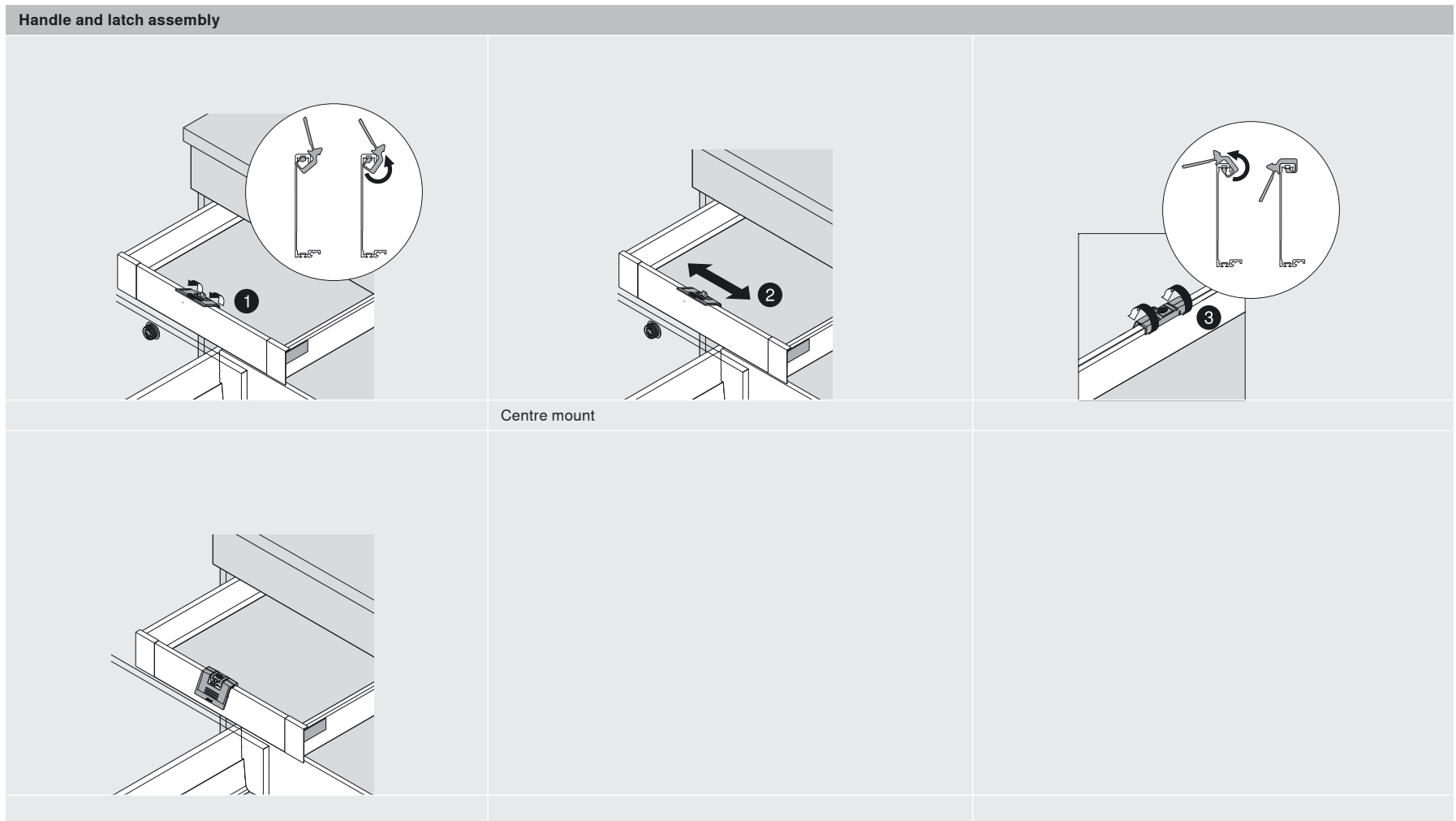


Starting with cabinet width > 600 mm

# Suitable inner drawers for TANDEMBOX intivo

## Assembly

### Inner drawer



Inner drawer

**Handle and latch assembly**

**Latch activated**

**Release**

**Deactivate latch**

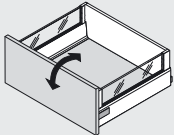
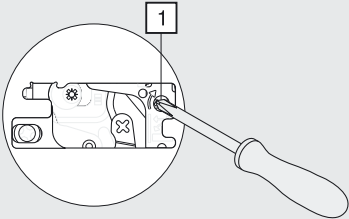
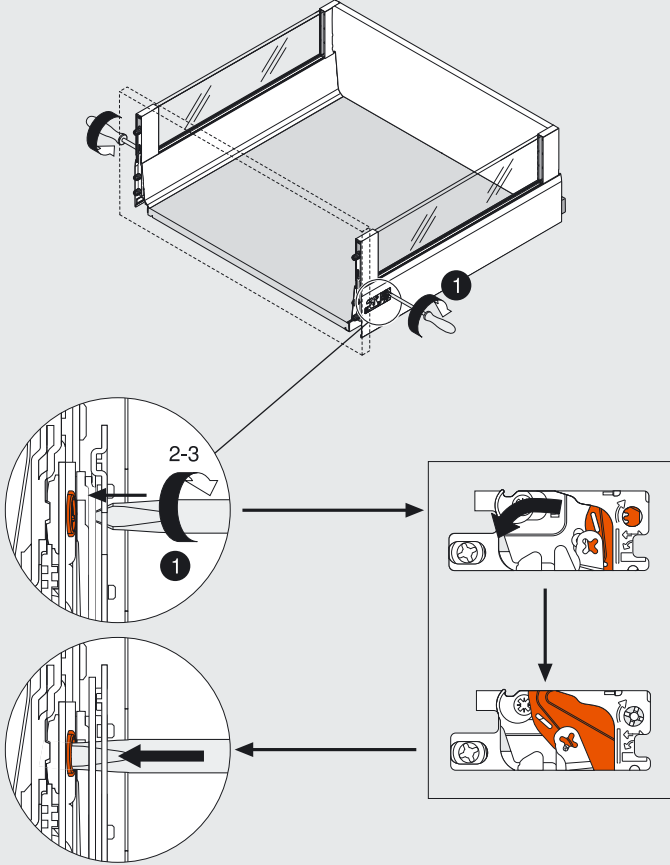
# TANDEMBOX intivo

## Adjustment

Setting identical for BOXCOVER and BOXCAP



Setting identical for BOXCOVER and BOXCAP

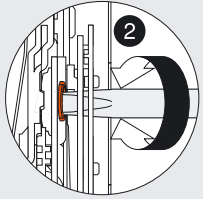
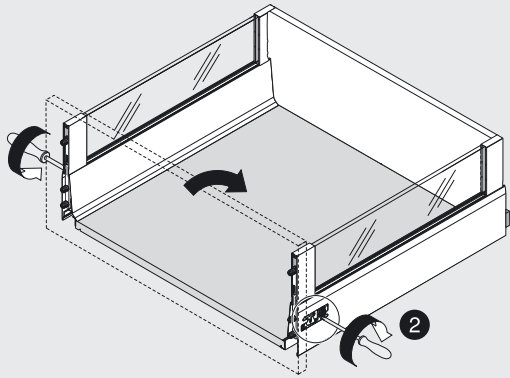
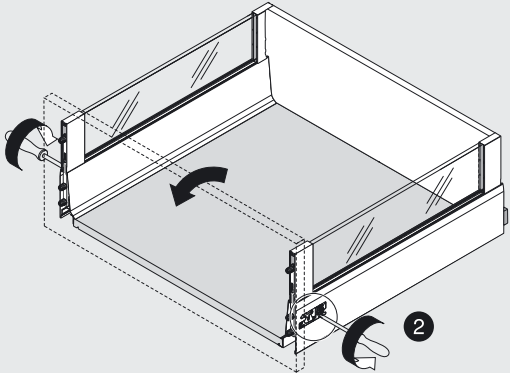
<b>1</b> Tilt adjustment		
<b>1a</b> Release		
		
	<p>Turn counter clockwise to get access to the underlying adjustment screw.</p>	
	<p>Secure screwdriver into place to enable adjustment.</p>	

# TANDEMBOX intivo

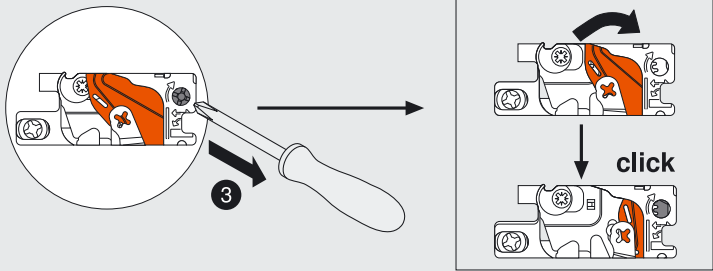
## Adjustment

Setting identical for BOXCOVER and BOXCAP

**1b** Adjustment

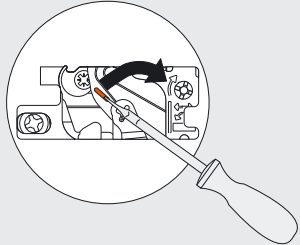
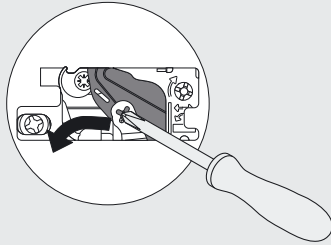
	Top edge of front to the inside	Top edge of front to the outside
		
<p>Both sides require adjustment.</p>		

**1c** Locking



Once the screwdriver has been removed, locking is automatic. This locking mechanism provides front stability.

**1d** Tension for front heights > 400 mm

	
<p>Turn in the direction of the arrow for increased stability.</p>	<p>To reset, the tension must be released.</p>

Setting identical for BOXCOVER and BOXCAP

**2** Height adjustment

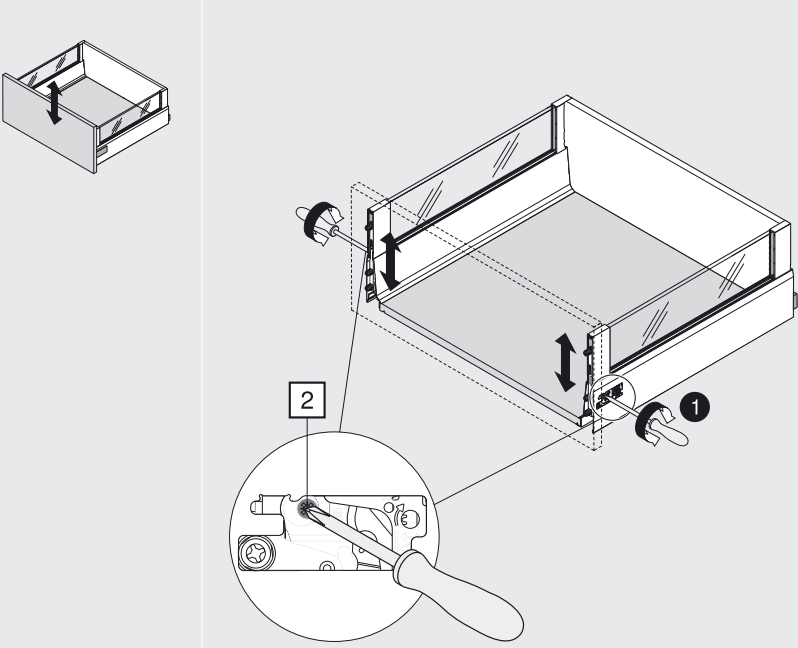


Diagram illustrating the height adjustment of the drawer. A vertical double-headed arrow indicates the adjustment range. A circular inset shows a close-up of the adjustment mechanism, with a screwdriver being used to adjust the screw labeled '2'. Another screw is labeled '1'.

**3** Side adjustment

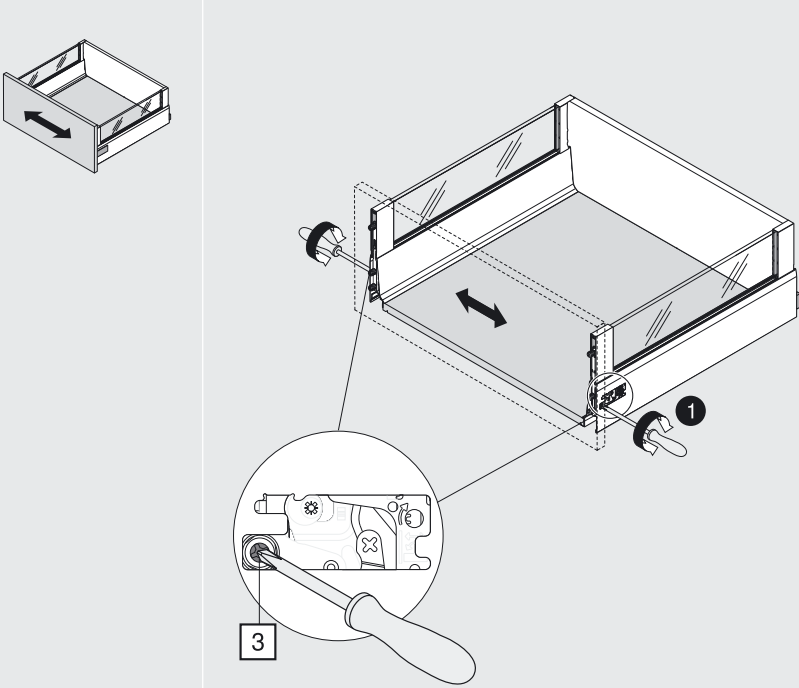


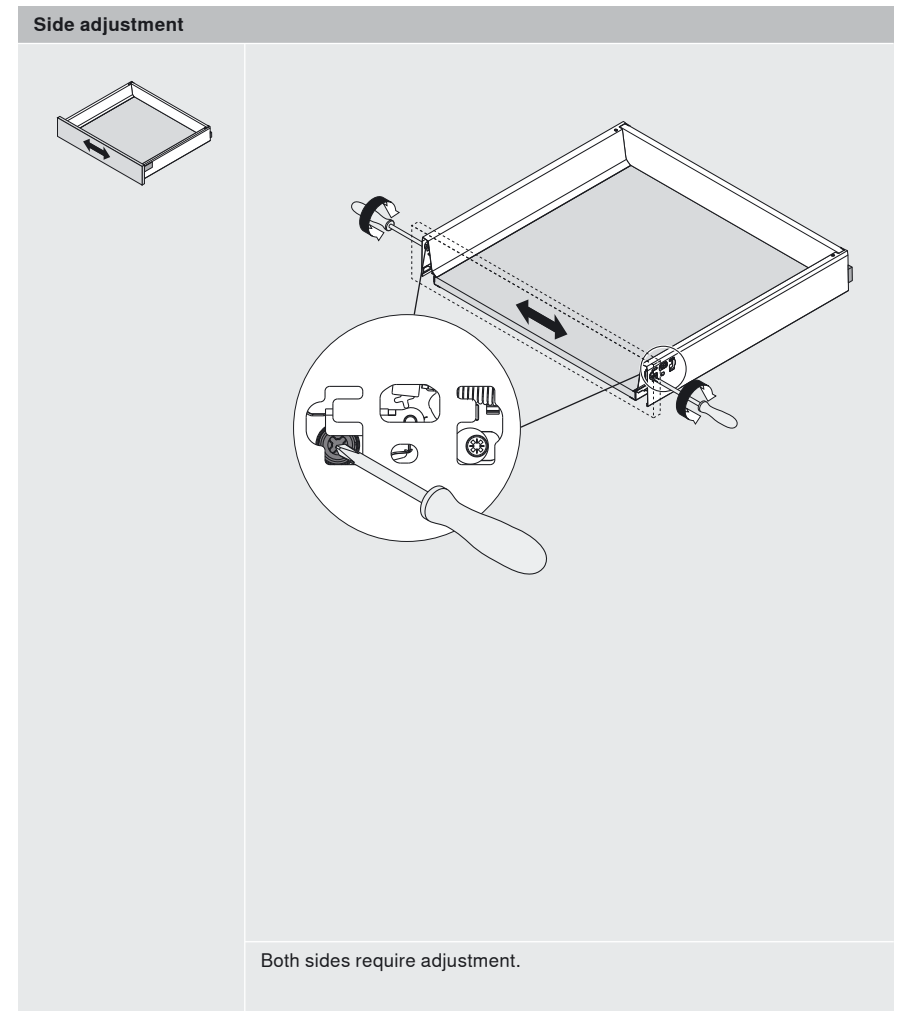
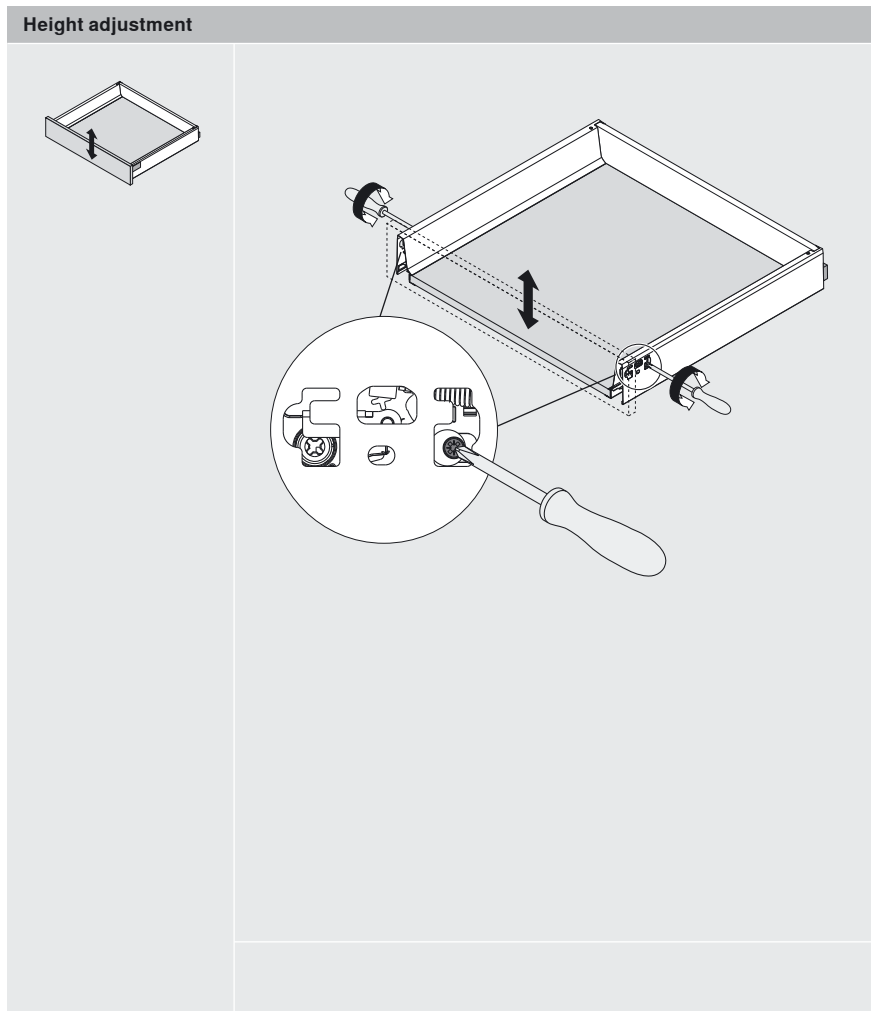
Diagram illustrating the side adjustment of the drawer. A horizontal double-headed arrow indicates the adjustment range. A circular inset shows a close-up of the adjustment mechanism, with a screwdriver being used to adjust the screw labeled '3'.

Both sides require adjustment.

# Suitable drawers for TANDEMBOX intivo

## Adjustment

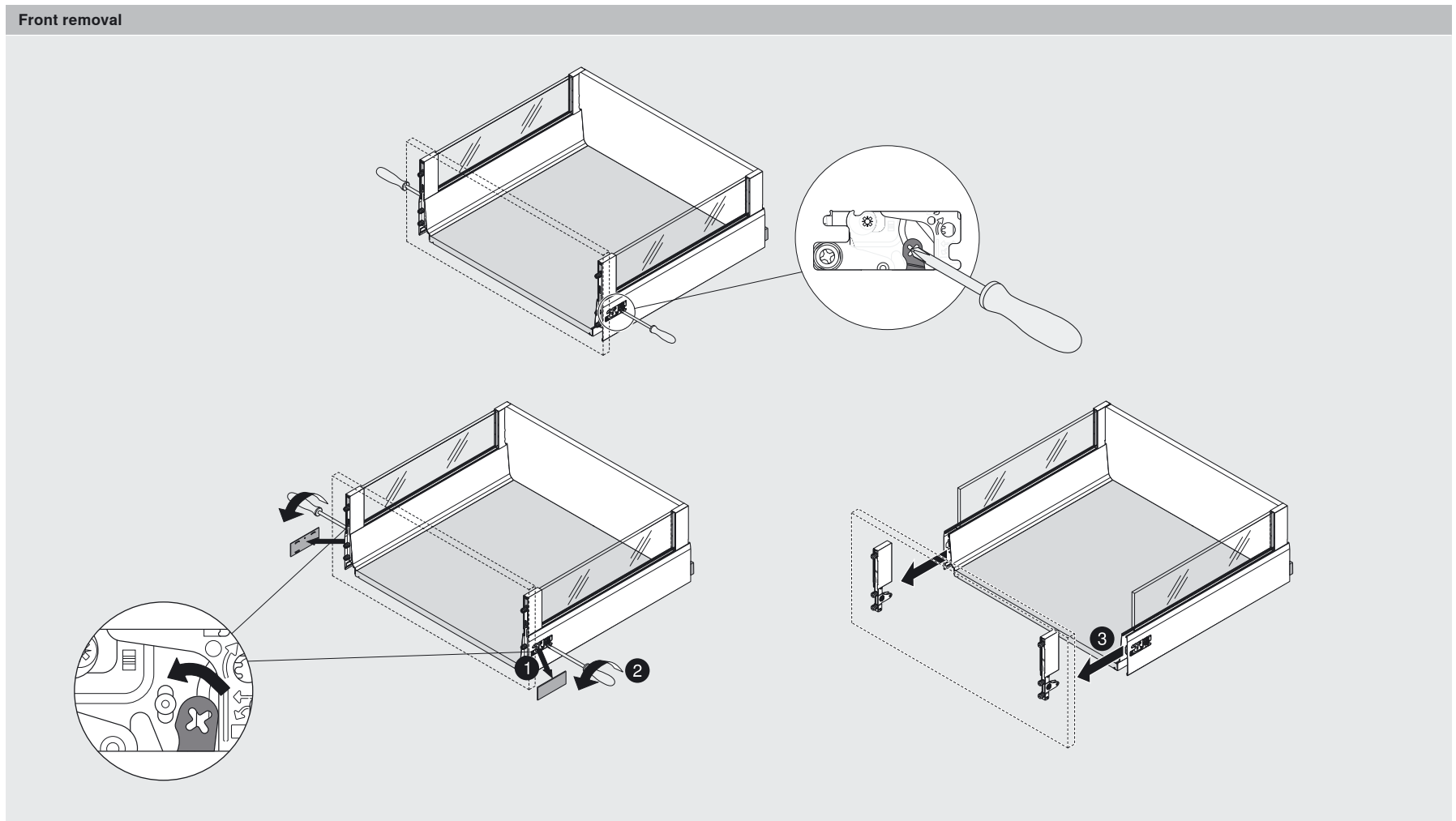
Drawer height M and height N



# TANDEMBOX intivo

## Removal

Removal of front identical for BOXCOVER and BOXCAP

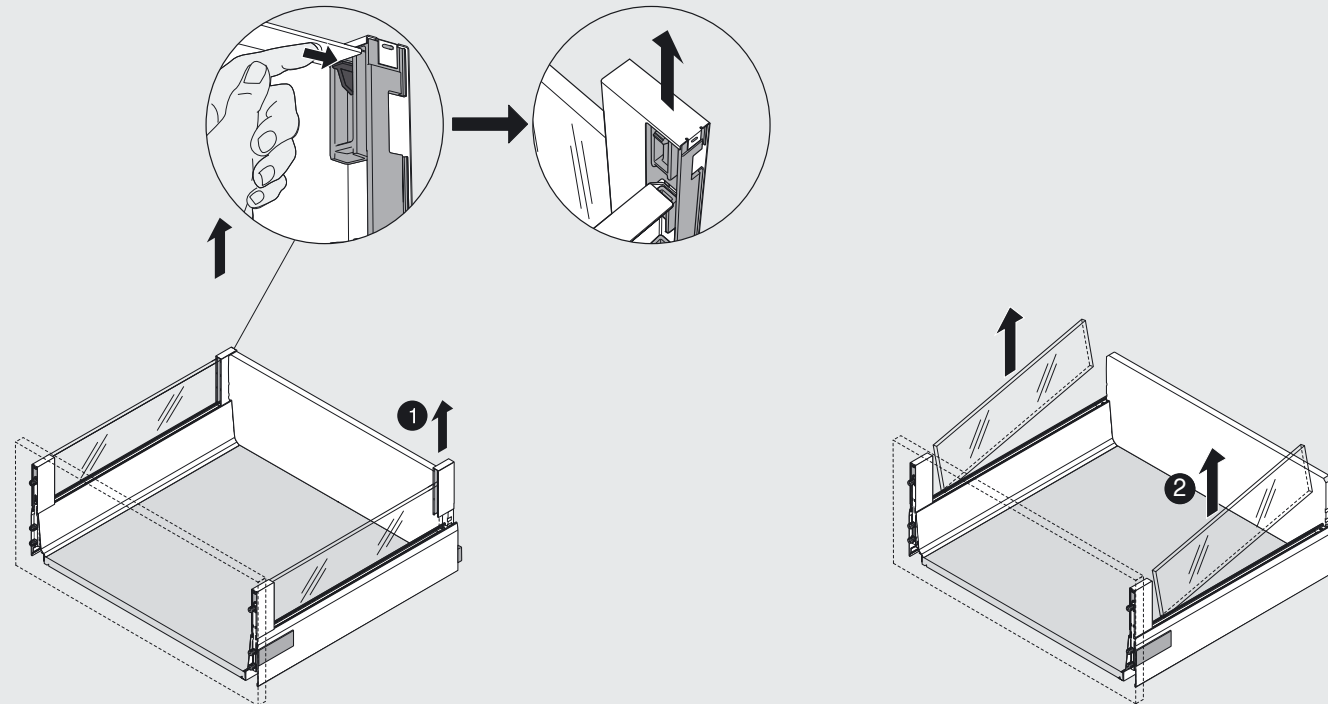


# TANDEMBOX intivo

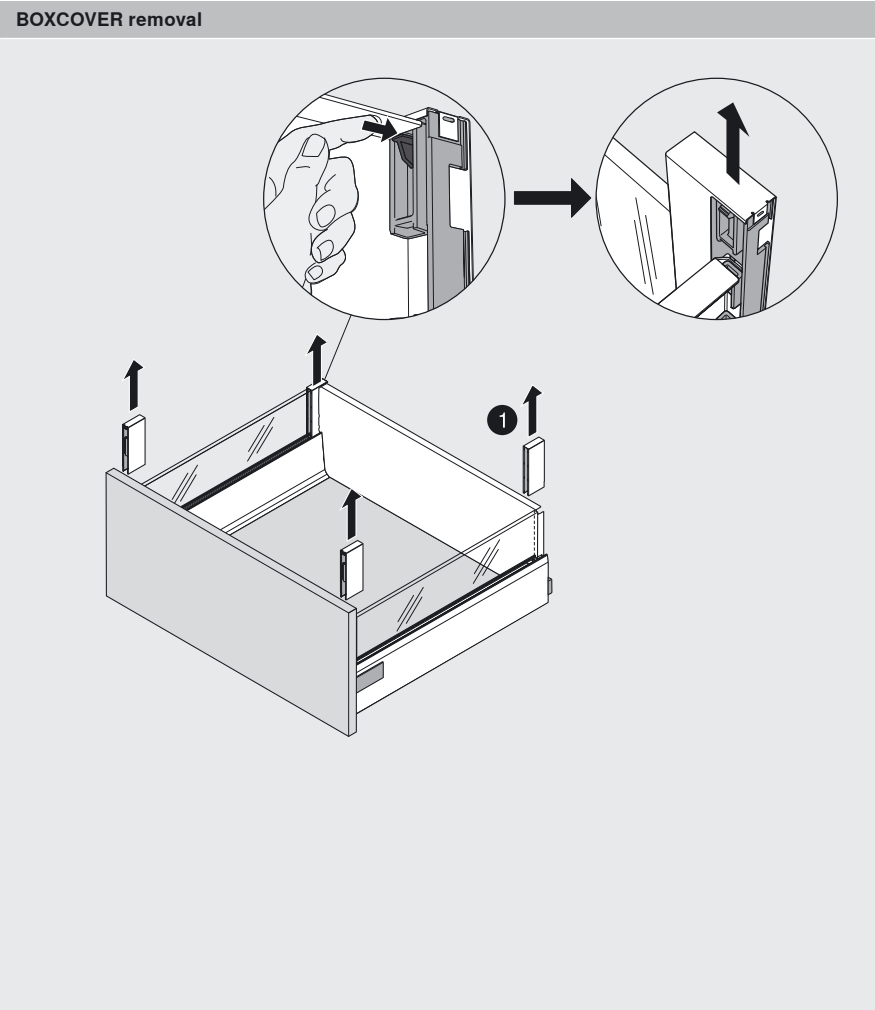
## Removal

### BOXCOVER

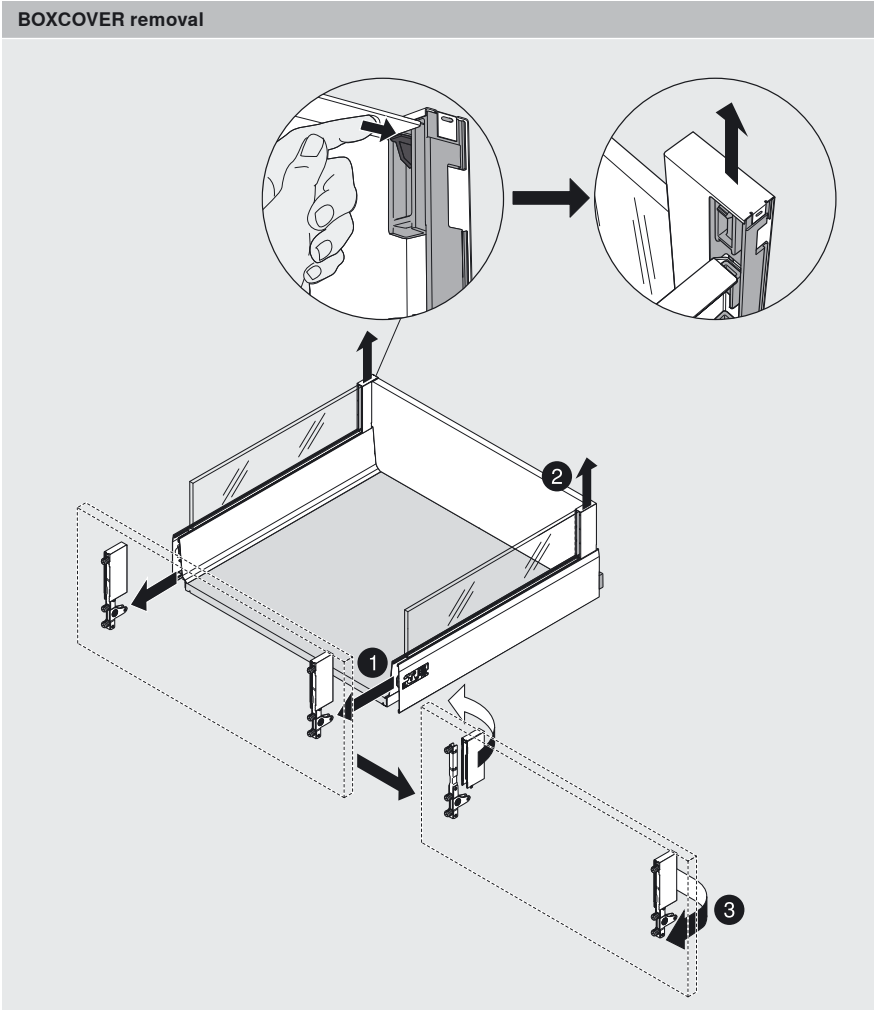
Design element removal



BOXCOVER – variant 1



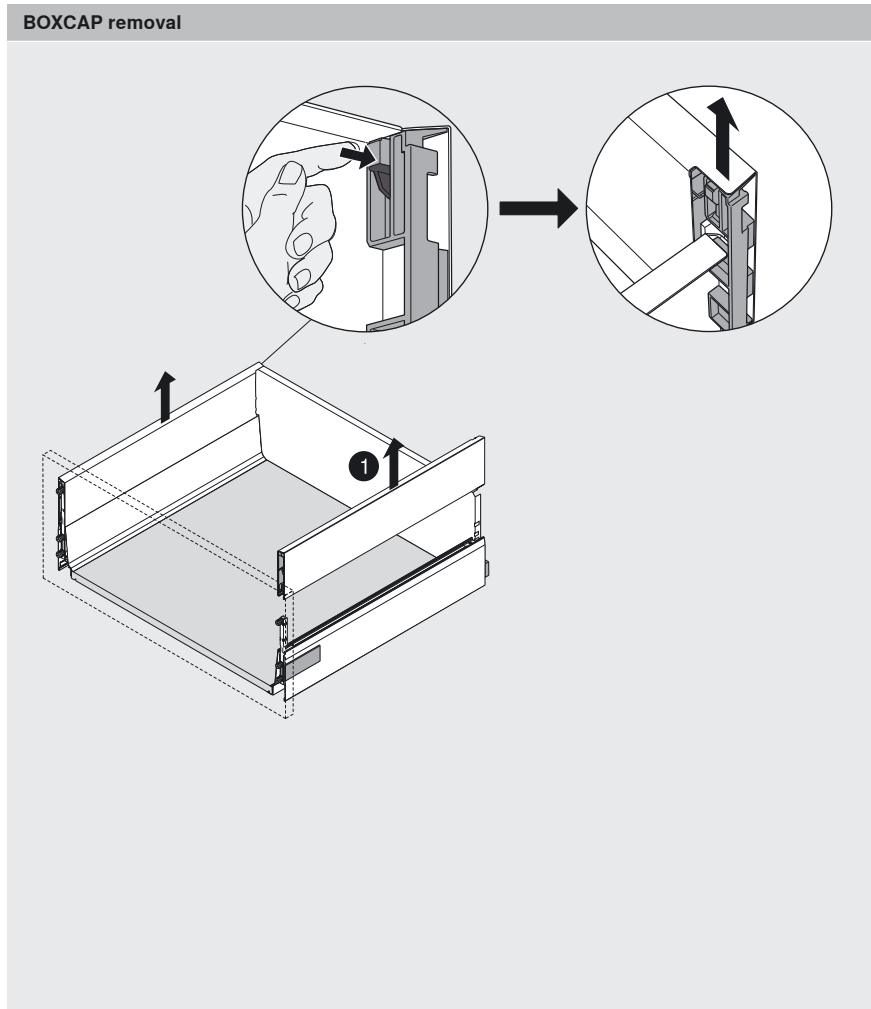
BOXCOVER – variant 2 – for sensitive fronts



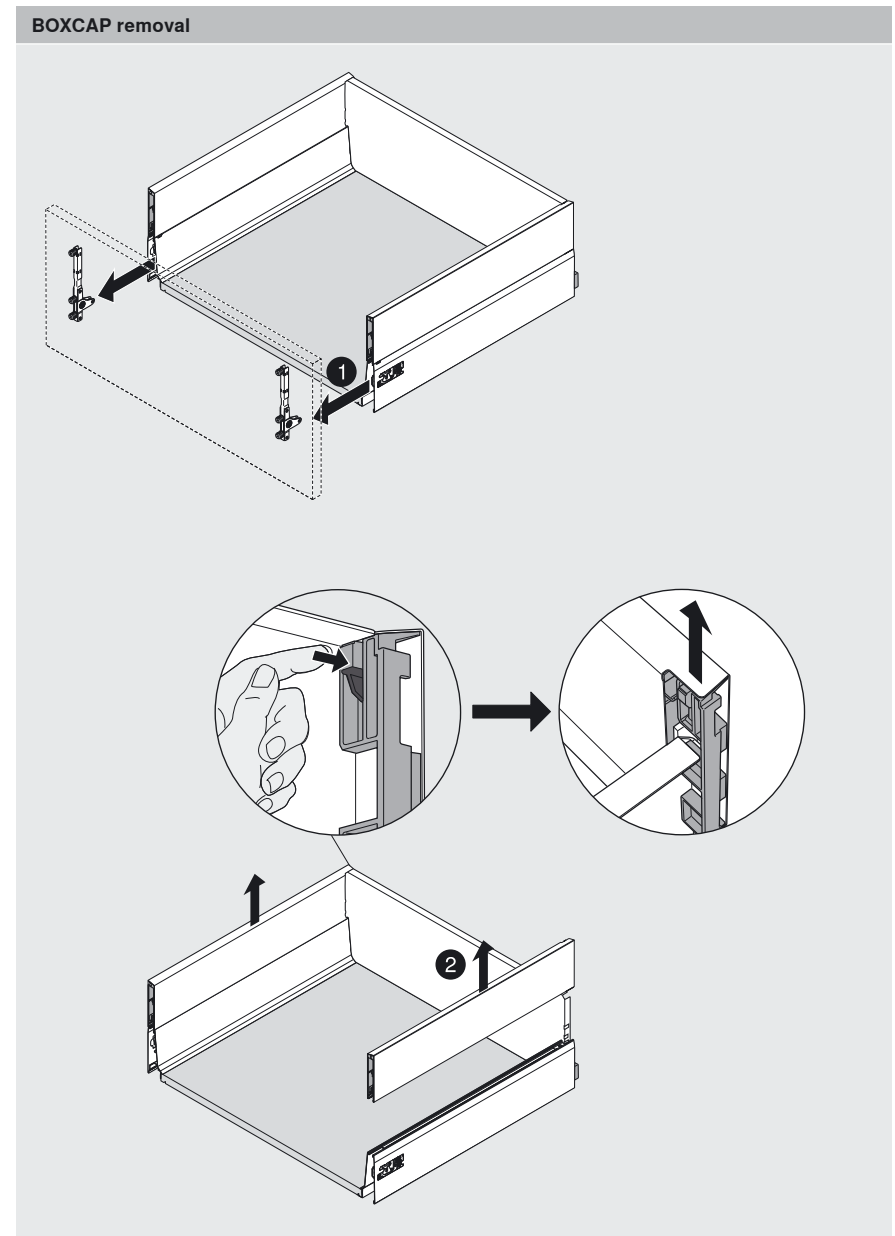
# TANDEMBOX intivo

## Removal

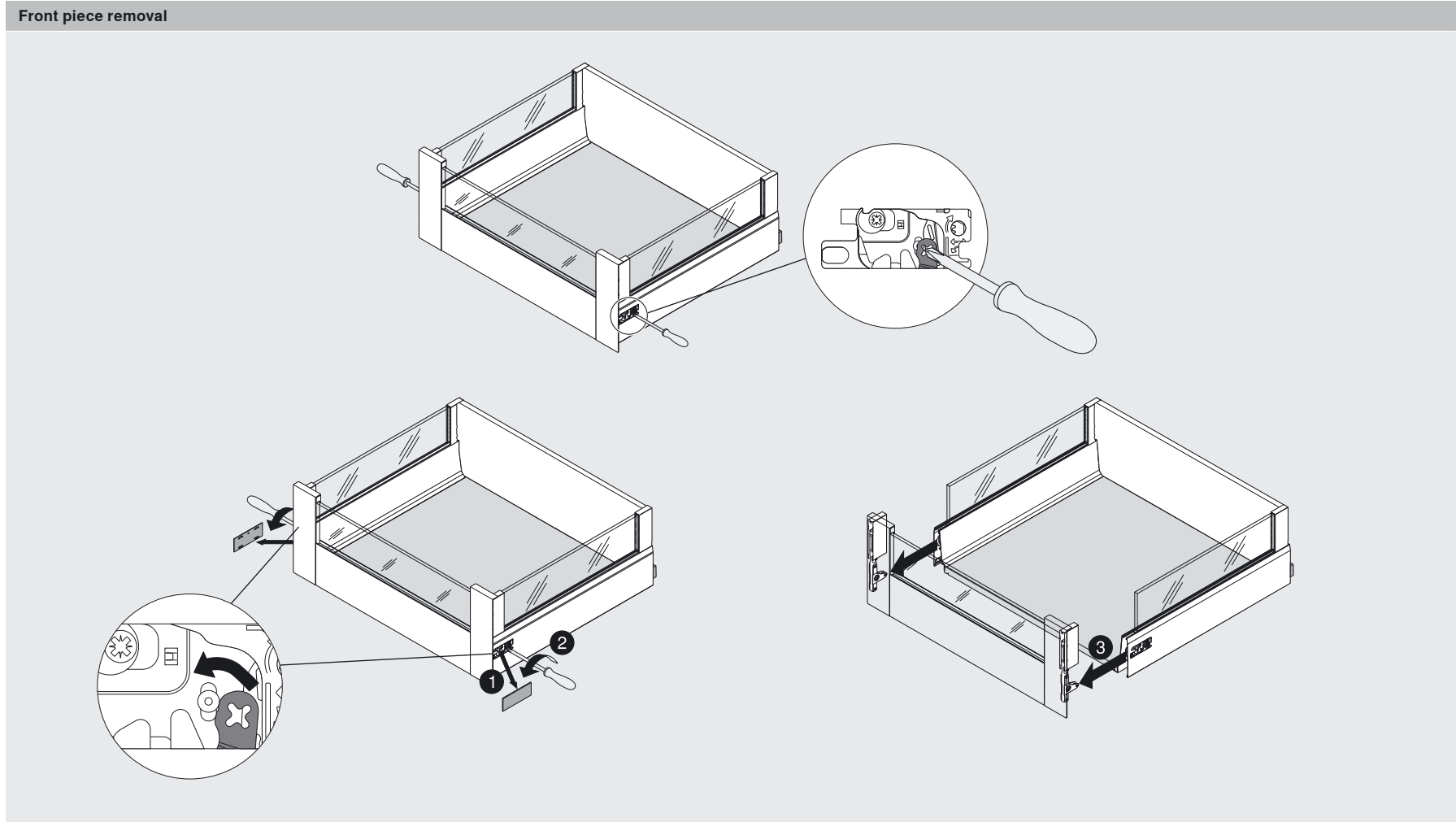
BOXCAP – variant 1



BOXCAP – variant 2 – for sensitive fronts



Inner pull-out with design element or cross gallery  
Removal identical for BOXCOVER and BOXCAP

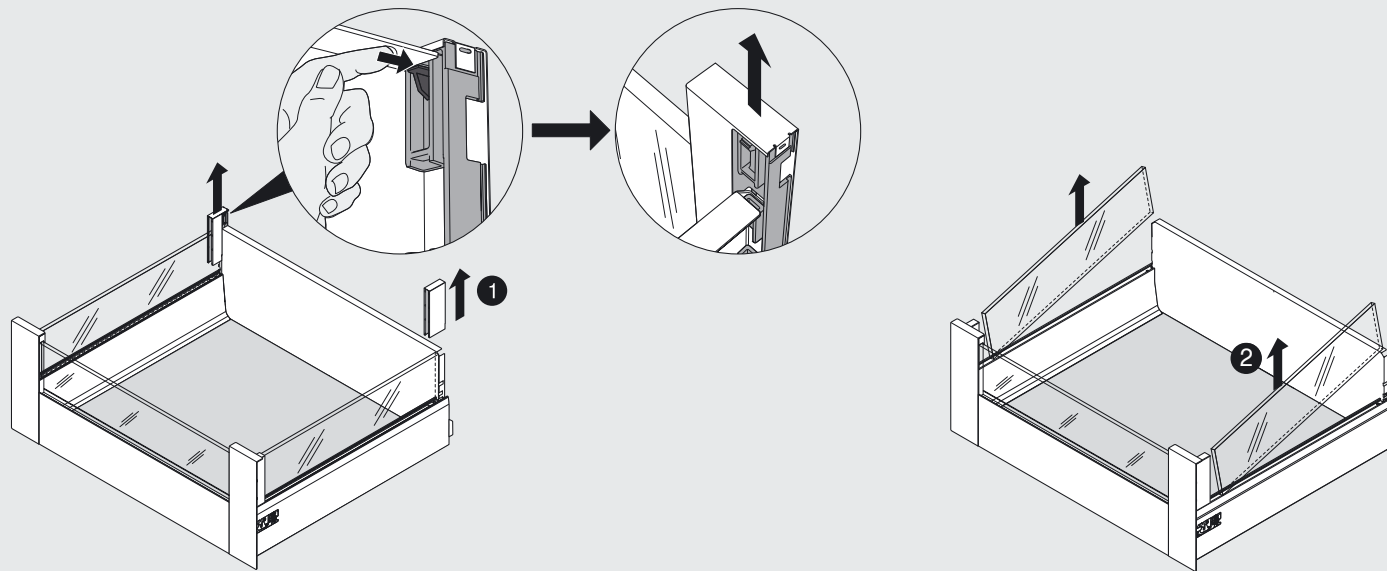


# TANDEMBOX intivo

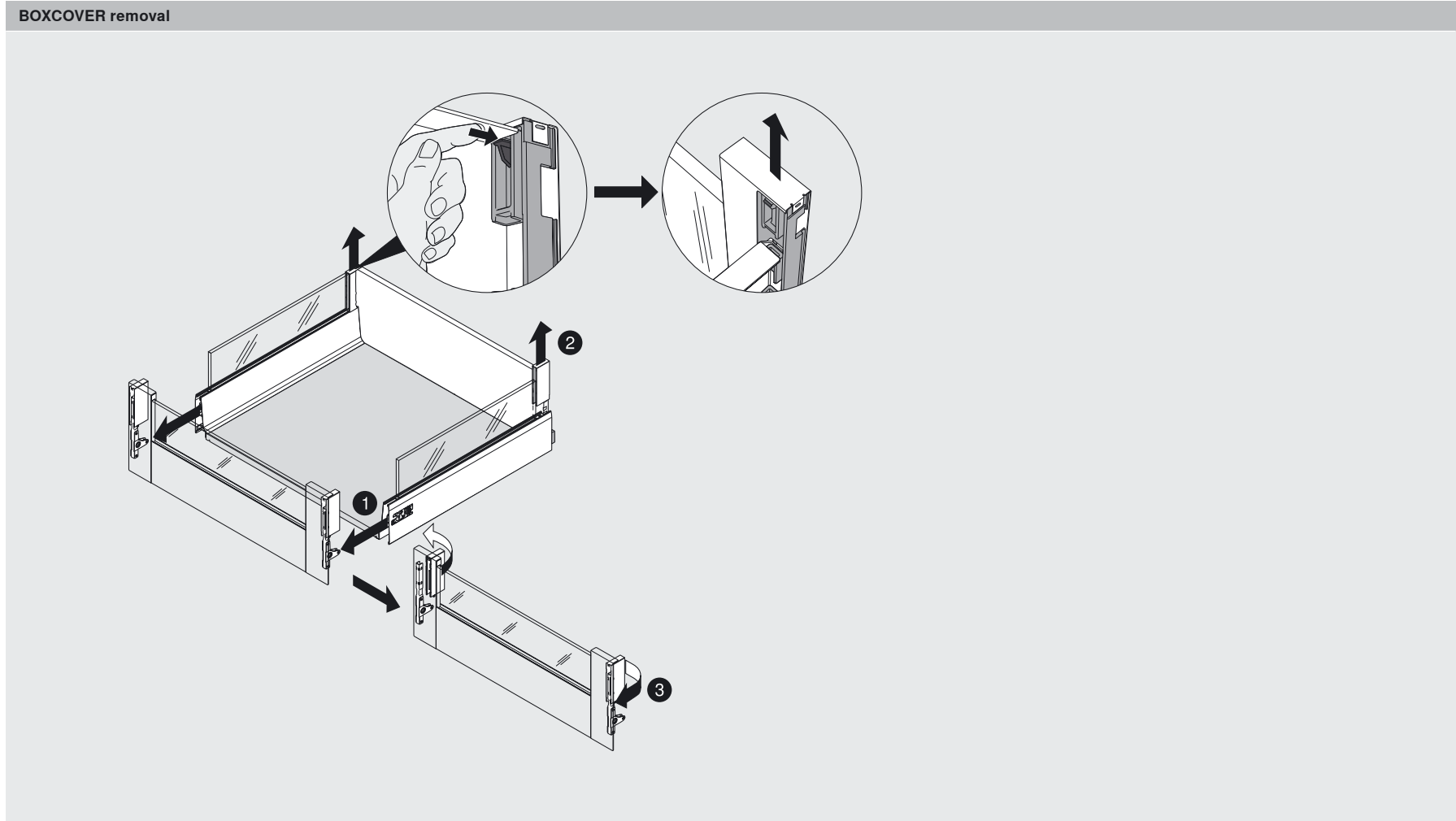
## Removal

Inner pull-out with design element

Design element removal



Inner pull-out with design element

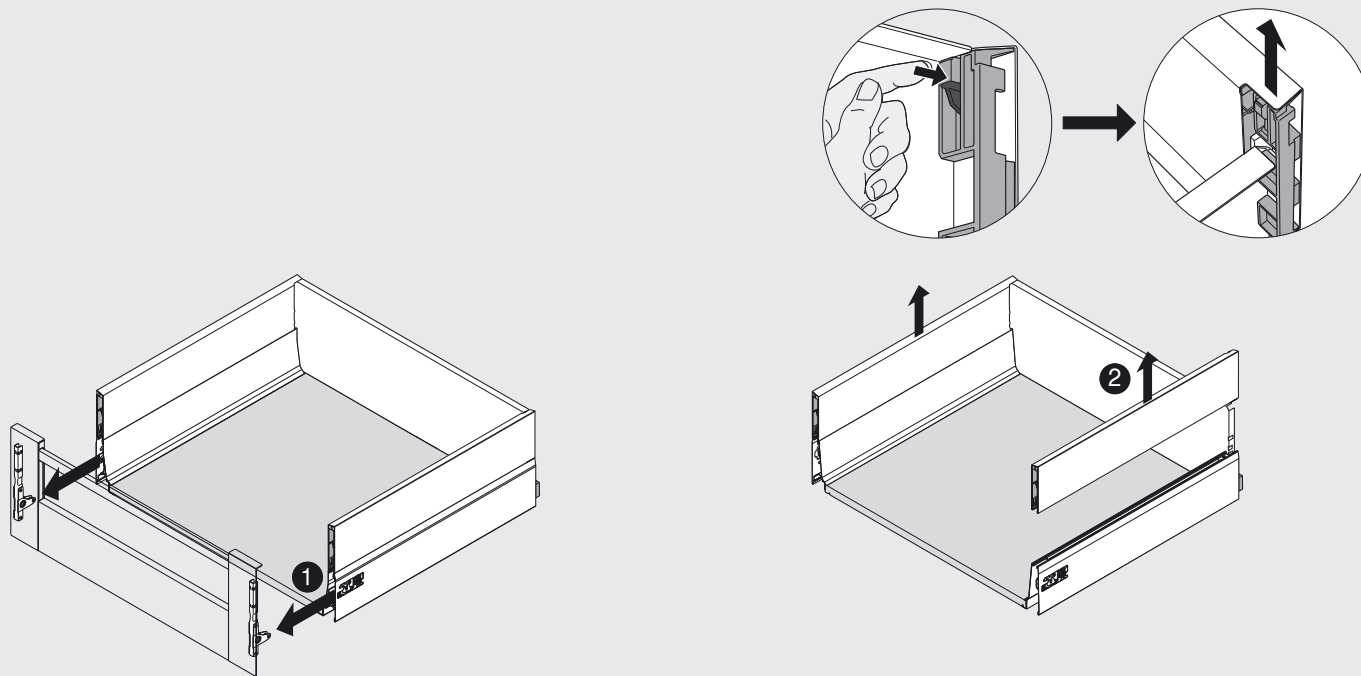


# TANDEMBOX intivo

## Removal

Inner pull-out with cross gallery

BOXCAP removal

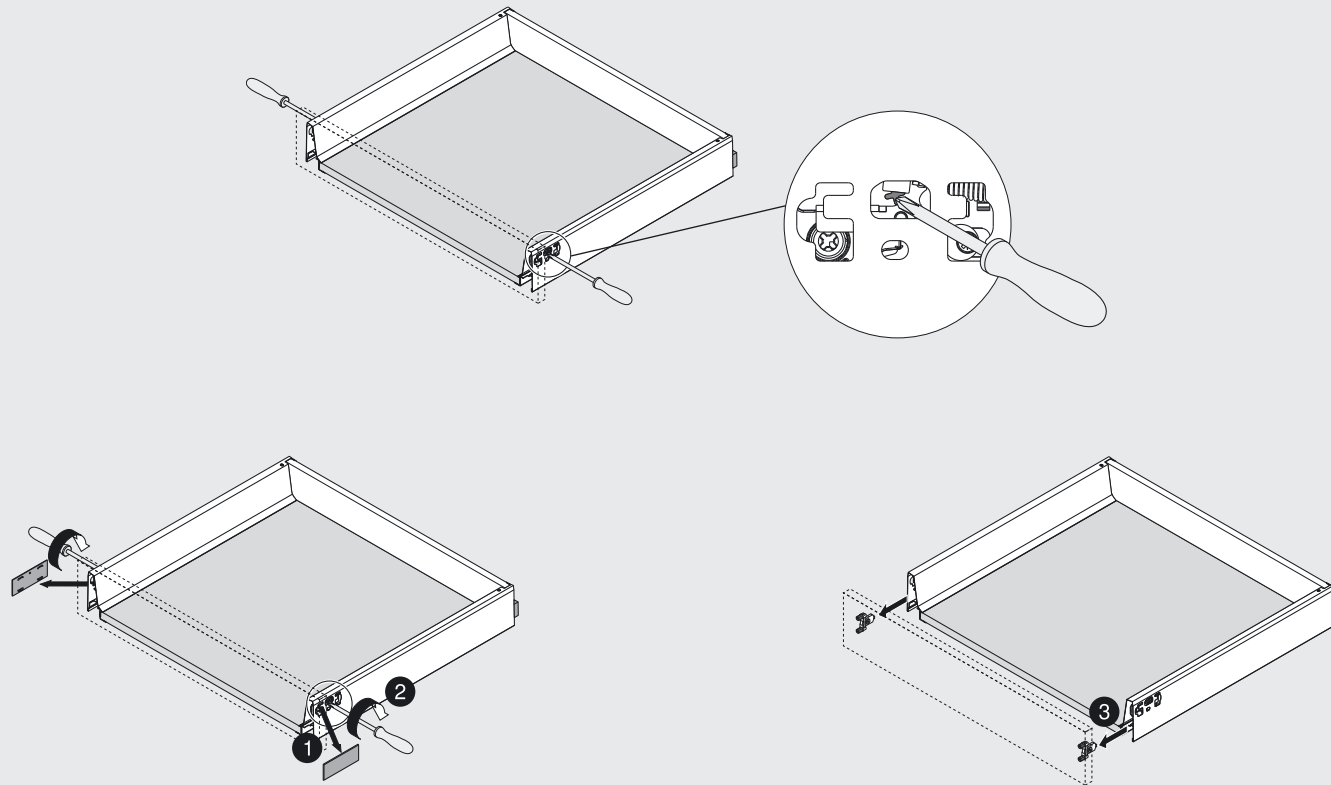


# Suitable drawers for TANDEMBOX intivo

## Removal

Drawer height M and height N

### Front removal

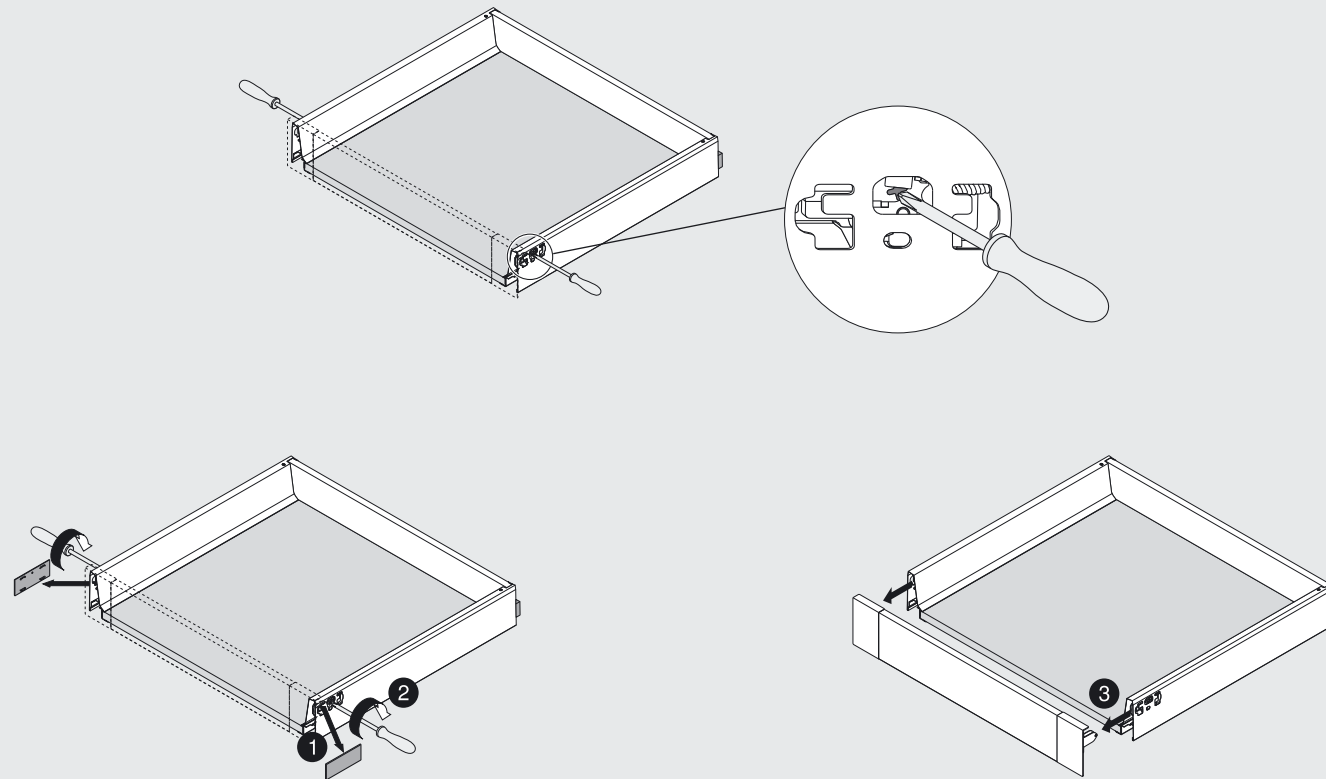


# Suitable inner drawers for TANDEMBOX intivo

## Removal

### Inner drawer

#### Front piece removal



# ORGA-LINE

## For optimal organisation in the kitchen

ORGA-LINE from Blum is a superior quality inner dividing system for high fronted pull-outs and drawers. Thanks to a selection of adjustable containers and dividers in a range of sizes and co-ordinating finishes; ORGA-LINE solutions ensure everything is easily visible and highly accessible for your customers.

### The five kitchen zones

For the best user experience, the kitchen should be divided into five distinctive zones: Consumables, Non-consumables, Cleaning, Preparation and Cooking.



### Consumables

Typical consumer goods such as canned goods, rice and pasta as well as refrigerated and frozen foodstuffs are stored here.



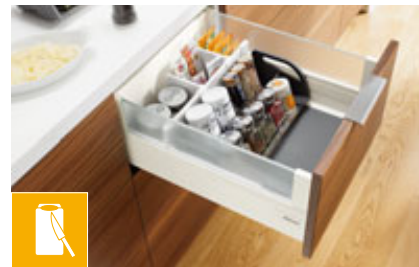
### Non-consumables

Dishes, glasses and cutlery are stored in this zone; ideally located near the dishwasher for ease of emptying and filling.



### Cleaning

This zone contains space for household cleaning items and utensils as well as waste collection and storage. The sink and dishwasher is also located here.



### Preparation

This main kitchen work area is ideally located between the sink and the stove. Kitchen utensils, cutting boards, knives as well as spices should always be close at hand for easy retrieval.



### Cooking

This area comprises the hob and the oven. Pots, pans and cooking utensils should be stored within easy reach.



# ORGA-LINE for TANDEMBOX intivo

## Provisions

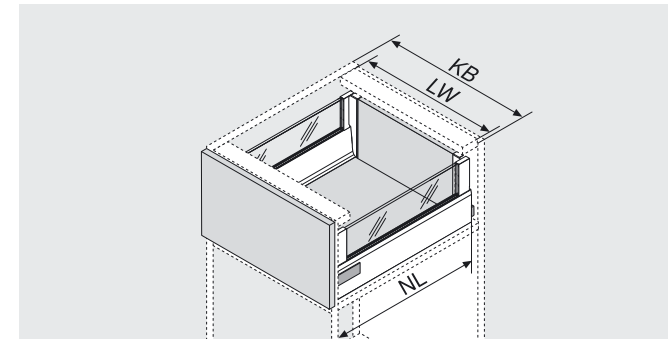
### Product



### Description

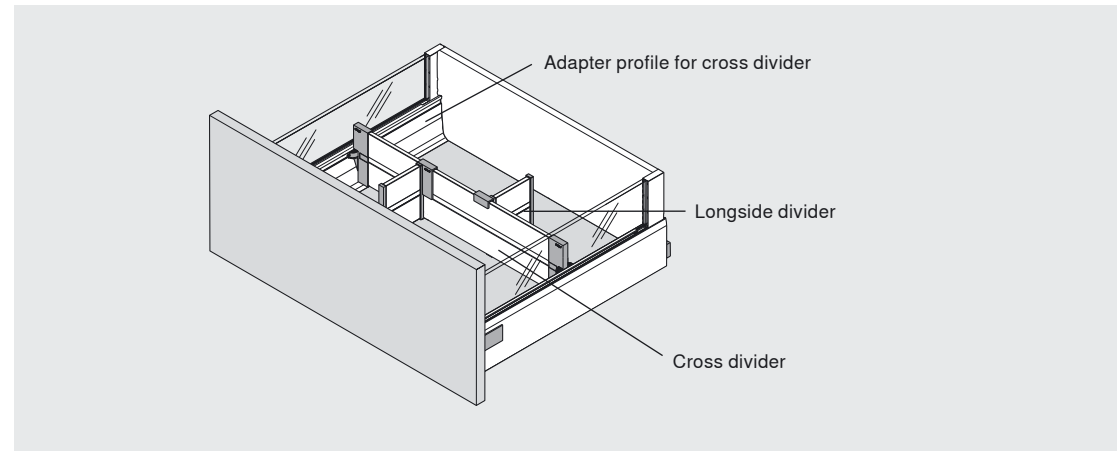
The storage space in pull-outs can be properly organised using adjustable cross and longside dividers. Provisions are easily accessible and will not fall over. A quick look in the larder unit is all you need to make your grocery list.

### Space requirement



KB	Cabinet width
LW	Inner cabinet width
NL	Nominal length

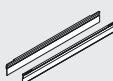
### Order specification

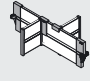


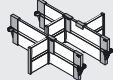
“Consumables” zone

## Order specification

Set content											
	Carcase width [mm]										
Nominal length	275	300	400	450	500	550	600	800	900	1.000	1.200
450 mm	1 x QT			1 x QT, 2 x LT				1 x QT, 3 x LT			
500 mm	2 x QT			2 x QT 3 x LT				2 x QT 6 x LT			
550 mm											
600 mm											
650 mm											
SPACE CORNER											
600 mm	1 x QT for cutting to size 2 x LT										
650 mm											
Special cabinet widths: Cross divider for cutting to size											Page 140
	QT Cross divider										
	LT Longside divider										

Adapter profile for cross divider			
	Colour variants	SW	TS
	Nominal length	Steel	Inox
	450 mm	Z49L422S	Z49L422I
	500 mm	Z49L472S	Z49L472I
	550 mm	Z49L522S	Z49L522I
	600 mm	Z49L572S	Z49L572I
	650 mm	Z49L622S	Z49L622I
	SW	Silk white	
TS	Terra black		

ORGA-LINE sets for nominal length 450 mm			
	Colour variants	SW	TS
	Cabinet width	Steel	Inox
	275 mm	ZFL.27BUS4	ZFL.27BUI4
	300 mm	ZFL.30BUS4	ZFL.30BUI4
	400 mm	ZFL.40BUS4	ZFL.40BUI4
	450 mm	ZFL.45BUS4	ZFL.45BUI4
	500 mm	ZFL.50BUS4	ZFL.50BUI4
	550 mm	ZFL.55BUS4	ZFL.55BUI4
	600 mm	ZFL.60BUS4	ZFL.60BUI4
	800 mm	ZFL.80BUS4	ZFL.80BUI4
	900 mm	ZFL.90BUS4	ZFL.90BUI4
	1.000 mm	ZFL.10BUS4	ZFL.10BUI4
	1.200 mm	ZFL.12BUS4	ZFL.12BUI4

ORGA-LINE sets for nominal lengths 500–650 mm			
	Colour variants	SW	TS
	Cabinet width	Steel	Inox
	275 mm	ZFL.27BUS6	ZFL.27BUI6
	300 mm	ZFL.30BUS6	ZFL.30BUI6
	400 mm	ZFL.40BUS6	ZFL.40BUI6
	450 mm	ZFL.45BUS6	ZFL.45BUI6
	500 mm	ZFL.50BUS6	ZFL.50BUI6
	550 mm	ZFL.55BUS6	ZFL.55BUI6
	600 mm	ZFL.60BUS6	ZFL.60BUI6
	800 mm	ZFL.80BUS6	ZFL.80BUI6
	900 mm	ZFL.90BUS6	ZFL.90BUI6
	1.000 mm	ZFL.10BUS6	ZFL.10BUI6
	1.200 mm	ZFL.12BUS6	ZFL.12BUI6

# ORGA-LINE for drawers

## Cutlery

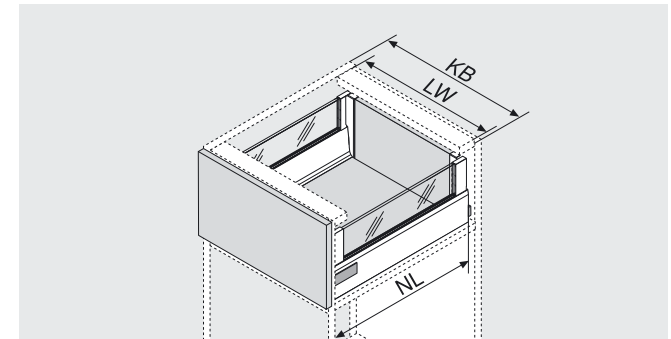
### Product



### Description

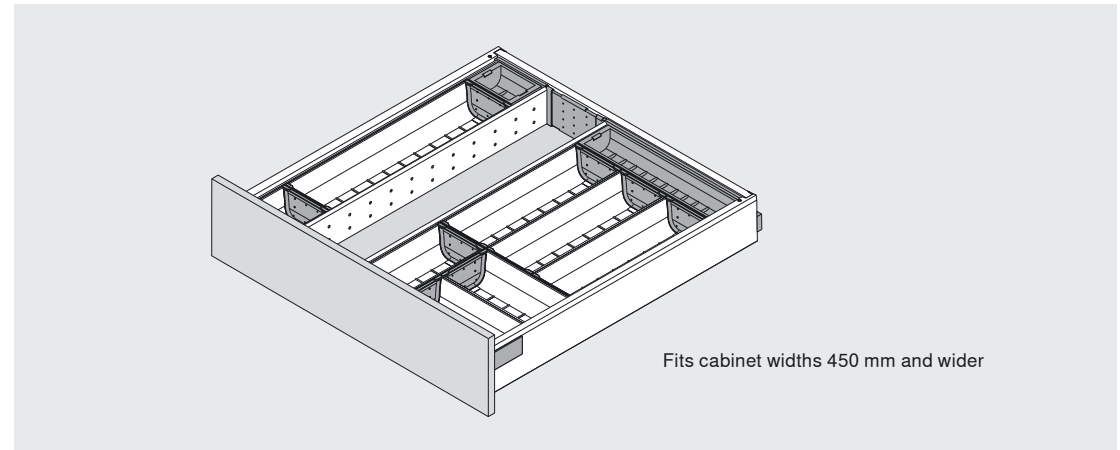
High-quality ORGA-LINE sets with dishwasher-proof, stainless steel containers provide proper organisation for your cutlery. The individual cutlery containers can be laid out to suit your requirements and they are removable – practical for buffets or garden parties.

### Space requirement



KB	Cabinet width
LW	Inner cabinet width
NL	Nominal length

### Order specification





“Non consumables” zone


Order specification


All images show NL 500, layout will differ slightly for other nominal lengths


Cabinet width 275 mm		
	Nominal length	
	450 mm	ZSI.450BI1N
	500 mm	ZSI.500BI1N
	550 mm	ZSI.550BI1N
	600 mm	ZSI.600BI1N
	650 mm	ZSI.650BI1N

Cabinet width 450 mm		
	Nominal length	
	450 mm	ZSI.45VEI4
	500 mm	ZSI.45VEI6
	550 mm	ZSI.45VEI7
	600 mm	ZSI.45VEI8
	650 mm	ZSI.45VEI9

Cabinet width 300/350 mm		
	Nominal length	
	450 mm	2x ZSI.450BI1N
	500 mm	2x ZSI.500BI1N
	550 mm	2x ZSI.550BI1N
	600 mm	2x ZSI.600BI1N
	650 mm	2x ZSI.650BI1N

Cabinet width 500 mm		
	Nominal length	
	450 mm	ZSI.50VEI4
	500 mm	ZSI.50VEI6
	550 mm	ZSI.50VEI7
	600 mm	ZSI.50VEI8
	650 mm	ZSI.50VEI9

Cabinet width 400 mm		
	Nominal length	
	450 mm	ZSI.450BI3N
	500 mm	ZSI.500BI3
	550 mm	ZSI.550BI3
	600 mm	ZSI.600BI3
	650 mm	ZSI.650BI3


Cabinet width 550 mm		
	Nominal length	
	450 mm	ZSI.55VEI4
	500 mm	ZSI.55VEI6
	550 mm	ZSI.55VEI7
	600 mm	ZSI.55VEI8
	650 mm	ZSI.55VEI9


# ORGA-LINE for drawers


## Cutlery


### Order specification


Cabinet width 600 mm		
	Nominal length	
	450 mm	ZSI.60VEI4
	500 mm	ZSI.60VEI6
	550 mm	ZSI.60VEI7
	600 mm	ZSI.60VEI8
	650 mm	ZSI.60VEI9

Cabinet width 1.000 mm		
	Nominal length	
	450 mm	ZSI.10VEI4
	500 mm	ZSI.10VEI6
	550 mm	ZSI.10VEI7
	600 mm	ZSI.10VEI8
	650 mm	ZSI.10VEI9

Cabinet width 800 mm		
	Nominal length	
	450 mm	ZSI.80VEI4
	500 mm	ZSI.80VEI6
	550 mm	ZSI.80VEI7
	600 mm	ZSI.80VEI8
	650 mm	ZSI.80VEI9

Cabinet width 1.200 mm		
	Nominal length	
	450 mm	ZSI.12VEI4
	500 mm	ZSI.12VEI6
	550 mm	ZSI.12VEI7
	600 mm	ZSI.12VEI8
	650 mm	ZSI.12VEI9

Cabinet width 900 mm		
	Nominal length	
	450 mm	ZSI.90VEI4
	500 mm	ZSI.90VEI6
	550 mm	ZSI.90VEI7
	600 mm	ZSI.90VEI8
	650 mm	ZSI.90VEI9

SPACE CORNER installation dimension 900–1.200 mm		
	Nominal length	
	600 mm	ZSI.450BI3E
	650 mm	ZSI.500BI3E

# ORGA-LINE for drawers

## Odds and ends

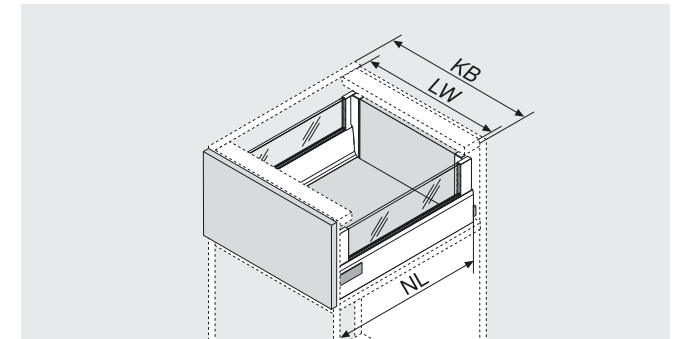
### Product



### Description

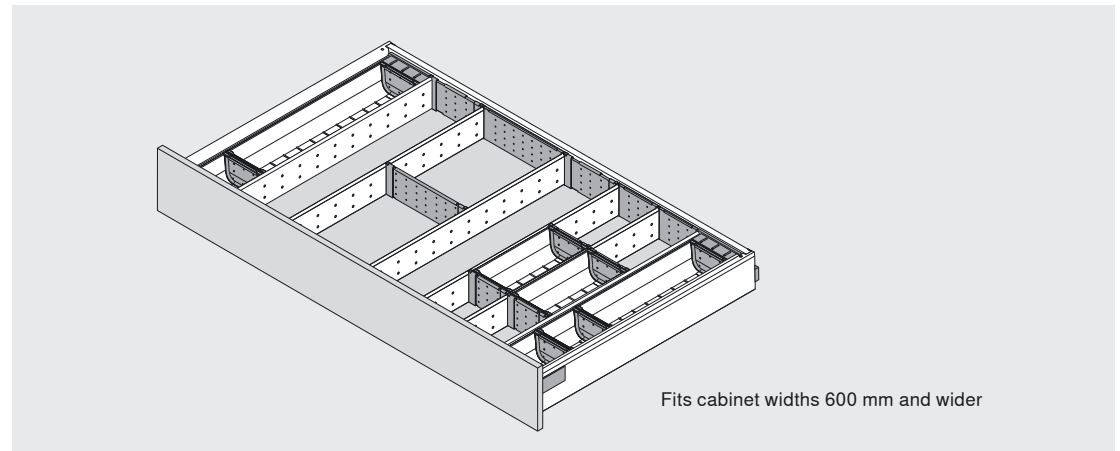
A drawer for all kinds of odds and ends is essential for a kitchen. Each item and utensil is stored properly in durable stainless steel boxes. Pencils, papers or paper clips – everything is stored neatly and close to hand when needed.

### Space requirement



KB	Cabinet width
LW	Inner cabinet width
NL	Nominal length

### Order specification



"Non consumables" zone


# ORGA-LINE for drawers


## Odds and ends

Order specification

All images show NL 500, layout will differ slightly for other nominal lengths

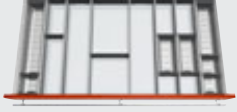
Cabinet width 275–400 mm		
	Nominal length	
	450 mm	ZSI.450BI1N
	500 mm	ZSI.500BI1N
	550 mm	ZSI.550BI1N
	600 mm	ZSI.600BI1N
	650 mm	ZSI.650BI1N


Cabinet width 450–550 mm		
	Nominal length	
	450 mm	ZSI.450MI3
	500 mm	ZSI.500MI3
	550 mm	ZSI.550MI3
	600 mm	ZSI.600MI3
	650 mm	ZSI.650MI3

Cabinet width 600 mm		
	Nominal length	
	450 mm	ZSI.60VKI4
	500 mm	ZSI.60VKI6
	550 mm	ZSI.60VKI7
	600 mm	ZSI.60VKI8
	650 mm	ZSI.60VKI9

Cabinet width 800 mm		
	Nominal length	
	450 mm	ZSI.80VKI4
	500 mm	ZSI.80VKI6
	550 mm	ZSI.80VKI7
	600 mm	ZSI.80VKI8
	650 mm	ZSI.80VKI9

Cabinet width 900 mm		
	Nominal length	
	450 mm	ZSI.90VKI4
	500 mm	ZSI.90VKI4
	550 mm	ZSI.90VKI7
	600 mm	ZSI.90VKI8
	650 mm	ZSI.90VKI9

Cabinet width 1.000 mm		
	Nominal length	
	450 mm	ZSI.10VKI4
	500 mm	ZSI.10VKI6
	550 mm	ZSI.10VKI7
	600 mm	ZSI.10VKI8
	650 mm	ZSI.10VKI9

SPACE CORNER installation dimension 900–1.200 mm		
	Nominal length	
	600 mm	ZSI.450MI3E
	650 mm	ZSI.500MI3E

# ORGA-LINE for TANDEMBOX intivo

## Crockery

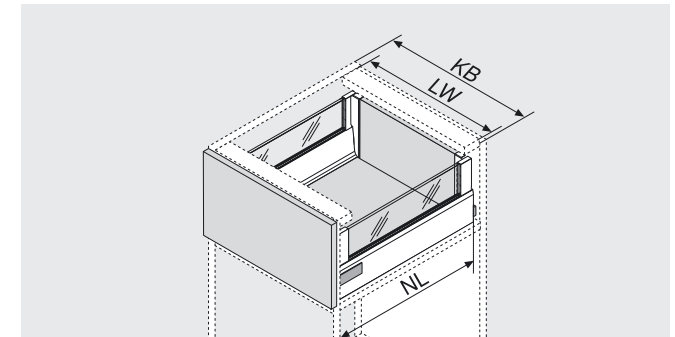
### Product



### Description

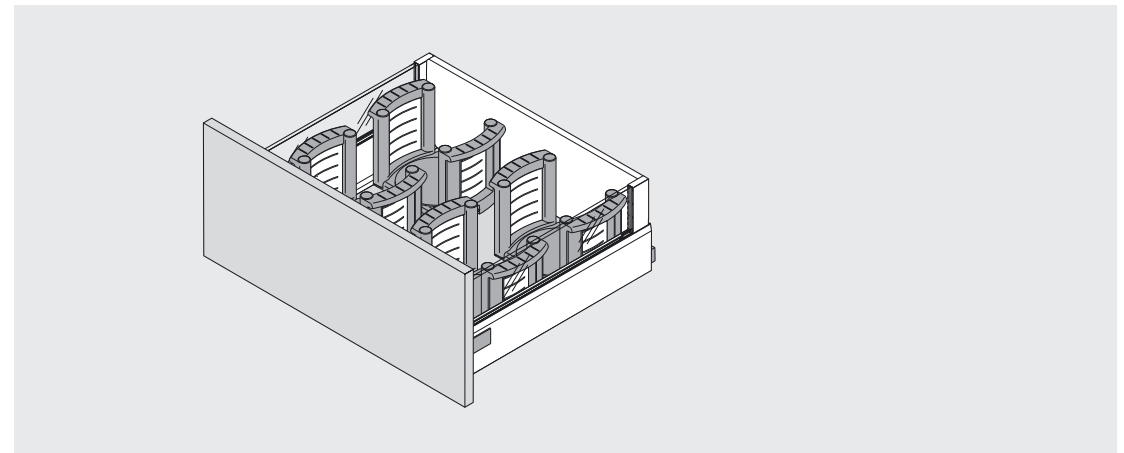
Storing plates in a full extension? The ORGA-LINE plate holder makes this ergonomic solution possible – even for corner cabinet areas. Up to 12 plates can be securely stored in each plate holder (no tipping or sliding). They are easy to remove and transport. Setting a large table is achieved with minimal effort.

### Space requirement



KB	Cabinet width
LW	Inner cabinet width
NL	Nominal length

### Order specification

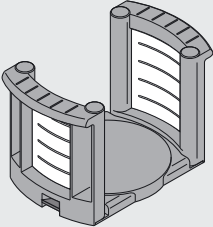


“Non consumables” zone

# ORGA-LINE for TANDEMBOX intivo

## Crockery

### Order specification

Plate-holder		
	Colour	RAL7037
	Plate diameters	180–320 mm
	Overall height	171 mm
	Stacking height of plates	144 mm
	<b>Recommended quantity for the high fronted pull-out</b>	
	(valid for nominal lengths 450–650 mm):	
	Starting with cabinet width:	400 mm      2 pcs.
		800 mm      4 pcs.
		1.000 mm      6 pcs.
	<b>Recommended quantity for SPACE CORNER</b>	
Up to installation dimension	1.050 mm      2 pcs.	
Starting with installation dimension	1.050 mm      3 pcs.	

# ORGA-LINE for TANDEMBOX intivo

## Plastic containers

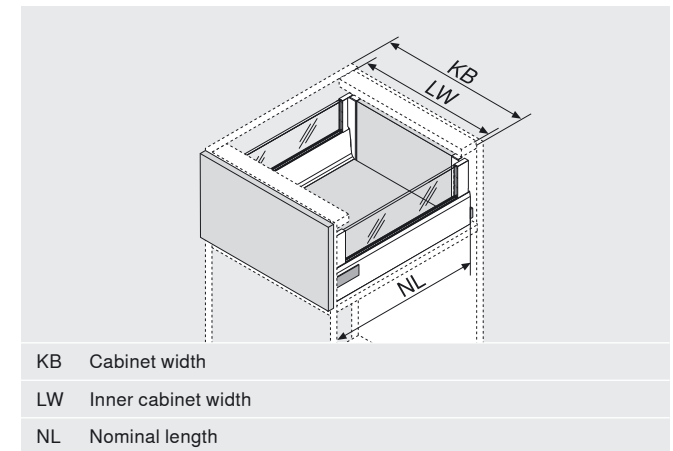
### Product



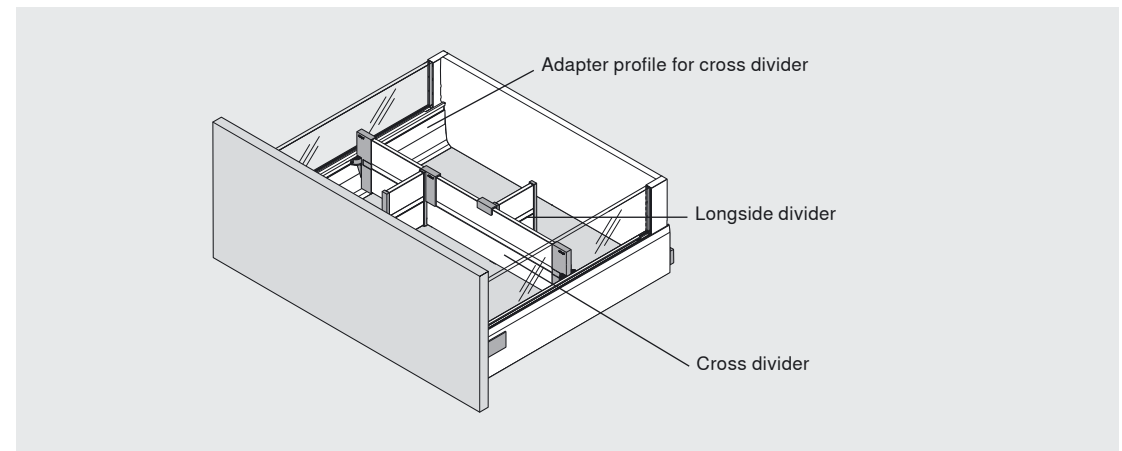
### Description

With ORGA-LINE, the frantic search for the appropriate sized container is over. Cross and lateral dividers provide excellent organisation. The correct lid for the container is then easy to see.

### Space requirement



### Order specification



"Non consumables" zone

# ORGA-LINE for TANDEMBOX intivo

## Plastic containers

### Order specification

Set content												
Nominal length	Carcase width [mm]											
	275	300	400	450	500	550	600	800	900	1.000	1.200	
450 mm	1 x QT		1 x QT 2 x LT				1 x QT 3 x LT					
500 mm	1 x QT		1 x QT 2 x LT				1 x QT 3 x LT					
550 mm	1 x QT		1 x QT 2 x LT				1 x QT 3 x LT					
600 mm	1 x QT		1 x QT 2 x LT				1 x QT 3 x LT					
650 mm	1 x QT		1 x QT 2 x LT				1 x QT 3 x LT					
SPACE CORNER												
600 mm	1 x QT for cutting to size 2 x LT											
650 mm	1 x QT for cutting to size 2 x LT											
Special cabinet widths: Cross divider for cutting to size											Page	140
	QT	Cross divider										
	LT	Longside divider										

ORGA-LINE sets for nominal lengths 450–650 mm			
Cabinet width	Colour variants	SW	TS
		Steel	Inox
275 mm		ZFL.27BUS4	ZFL.27BU14
300 mm		ZFL.30BUS4	ZFL.30BU14
400 mm		ZFL.40BUS4	ZFL.40BU14
450 mm		ZFL.45BUS4	ZFL.45BU14
500 mm		ZFL.50BUS4	ZFL.50BU14
550 mm		ZFL.55BUS4	ZFL.55BU14
600 mm		ZFL.60BUS4	ZFL.60BU14
800 mm		ZFL.80BUS4	ZFL.80BU14
900 mm		ZFL.90BUS4	ZFL.90BU14
1.000 mm		ZFL.10BUS4	ZFL.10BU14
1.200 mm		ZFL.12BUS4	ZFL.12BU14

Adapter profile for cross divider			
Nominal length	Colour variants	SW	TS
		Steel	Inox
450 mm		Z49L422S	Z49L422I
500 mm		Z49L472S	Z49L472I
550 mm		Z49L522S	Z49L522I
600 mm		Z49L572S	Z49L572I
650 mm		Z49L622S	Z49L622I
	SW	Silk white	
	TS	Terra black	

"Non consumables" zone

# ORGA-LINE for drawers

## Cleaning materials

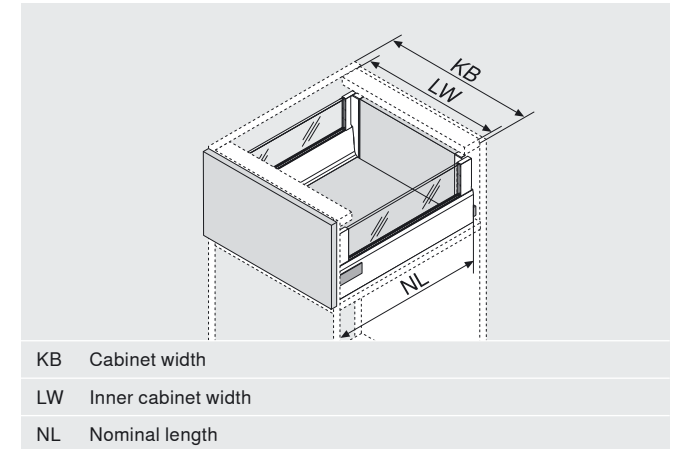
### Product



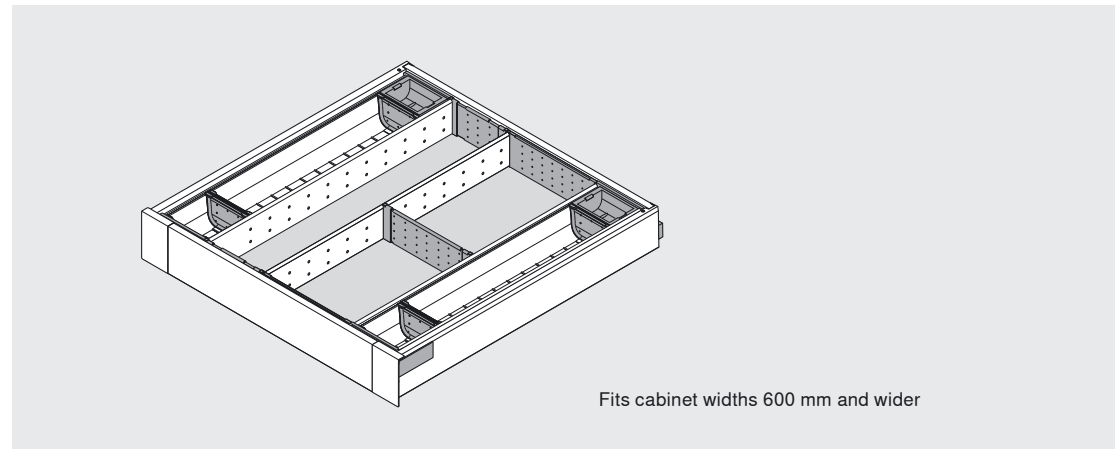
### Description

An inner drawer in the lower sink cabinet provides additional organisation. Using an ORGA-LINE inner dividing system, you can properly store cleaning utensils such as sponges, kitchen towels or rubbish bags. The individual containers are made from stainless steel making them dishwasher-proof and very easy to clean.

### Space requirement



### Order specification



"Cleaning" zone

# ORGA-LINE for drawers


## Cleaning materials


Order specification

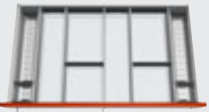
All images show NL 500, layout will differ slightly for other nominal lengths

Cabinet width 600 mm		
	Nominal length	
	450 mm	ZSI.60VUI4
	500 mm	ZSI.60VUI6
	550 mm	ZSI.60VUI7
	600 mm	ZSI.60VUI8
	650 mm	ZSI.60VUI9

Cabinet width 1.000 mm		
	Nominal length	
	450 mm	ZSI.10VUI4
	500 mm	ZSI.10VUI6
	550 mm	ZSI.10VUI7
	600 mm	ZSI.10VUI8
	650 mm	ZSI.10VUI9

Cabinet width 800 mm		
	Nominal length	
	450 mm	ZSI.80VUI4
	500 mm	ZSI.80VUI6
	550 mm	ZSI.80VUI7
	600 mm	ZSI.80VUI8
	650 mm	ZSI.80VUI9

Cabinet width 1.200 mm		
	Nominal length	
	450 mm	ZSI.12VUI4
	500 mm	ZSI.12VUI6
	550 mm	ZSI.12VUI7
	600 mm	ZSI.12VUI8
	650 mm	ZSI.12VUI9

Cabinet width 900 mm		
	Nominal length	
	450 mm	ZSI.90VUI4
	500 mm	ZSI.90VUI6
	550 mm	ZSI.90VUI7
	600 mm	ZSI.90VUI8
	650 mm	ZSI.90VUI9

# ORGA-LINE for TANDEMBOX intivo

## Waste storage/separation and household cleaners

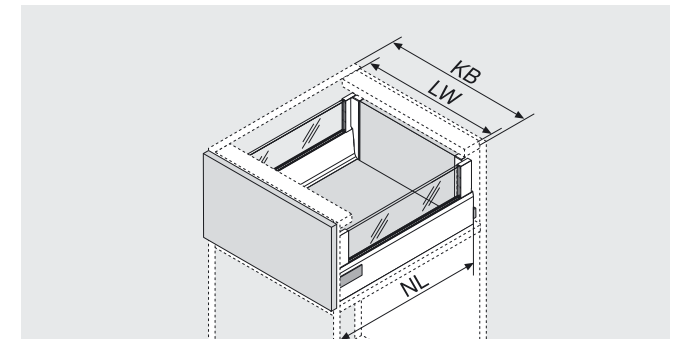
### Product



### Description

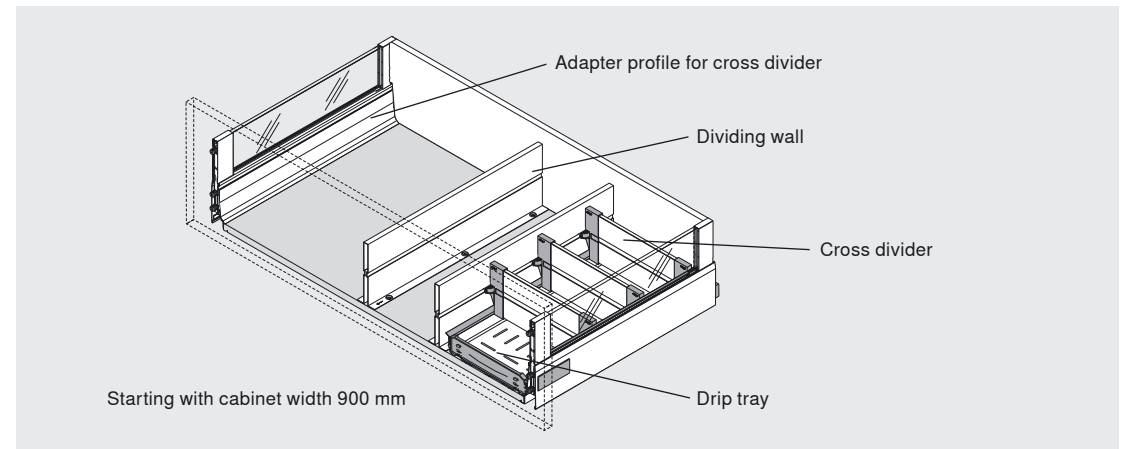
Cleaning materials are stored hygienically in the ORGA-LINE bottle holder and kept separate from the recycling/waste containers via a dividing wall. Now waste separation can be done without mess or fuss.

### Space requirement



KB	Cabinet width
LW	Inner cabinet width
NL	Nominal length

### Order specification



"Cleaning" zone

# ORGA-LINE for TANDEMBOX intivo

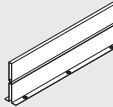
## Waste storage/separation and household cleaners

### Order specification

Set content	
Nominal length	
450 mm	3 x QT, 1 x FW
500 mm	4 x QT, 1 x FW
550 mm	4 x QT, 1 x FW
600 mm	5 x QT, 1 x FW
650 mm	5 x QT, 1 x FW
	FW Bottle rack
	QT Cross divider

ORGA-LINE set bottle rack for cabinet width 300 mm			
	Colour variants	SW	TS
	Nominal length	Steel	Inox
	450 mm	ZFL.30BFS4	ZFL.30BF14
	500 mm	ZFL.30BFS6	ZFL.30BF16
	550 mm	ZFL.30BFS7	ZFL.30BF17
	600 mm	ZFL.30BFS8	ZFL.30BF18
	650 mm	ZFL.30BFS9	ZFL.30BF19

Adapter profile for cross divider			
	Colour variants	SW	TS
	Nominal length	Steel	Inox
	450 mm	Z49L422S	Z49L422I
	500 mm	Z49L472S	Z49L472I
	550 mm	Z49L522S	Z49L522I
	600 mm	Z49L572S	Z49L572I
	650 mm	Z49L622S	Z49L622I
	SW	Silk white	
	TS	Terra black	

Dividing wall			
	Colour variants	SW	TS
	Nominal length	Steel	Inox
	450 mm	Z46L420S	Z46L420I
	500 mm	Z46L470S	Z46L470I
	550 mm	Z46L520S	Z46L520I
	600 mm	Z46L570S	Z46L570I
	650 mm	Z46L620S	Z46L620I
	You will require an additional dividing wall for cabinet widths 900 mm and higher.		

"Cleaning" zone

# ORGA-LINE for drawers

## Kitchen utensils, knives and small electric appliances

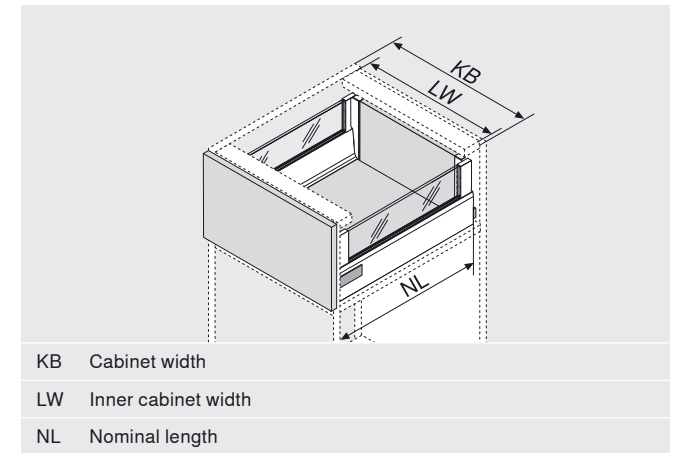
### Product



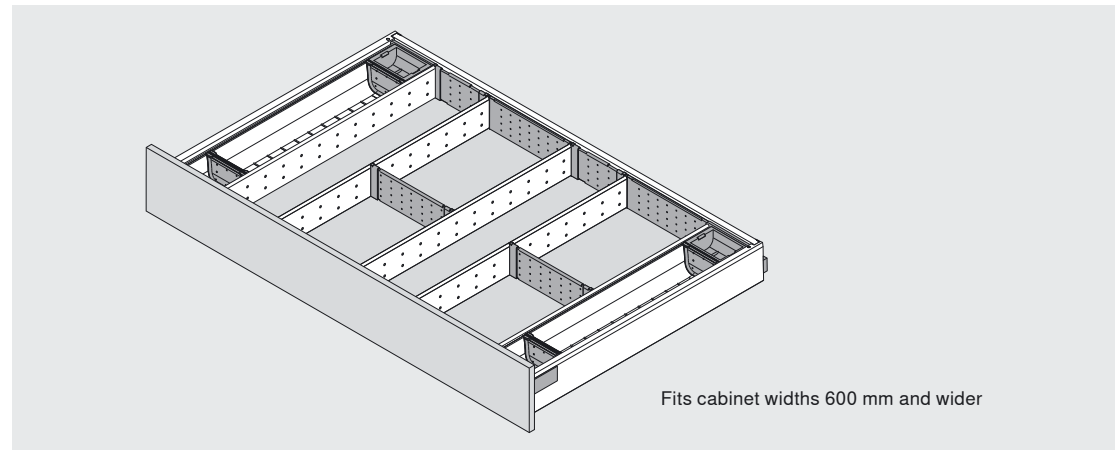
### Description

ORGA-LINE inner dividing systems provide organisation and secure storage for drawers with kitchen utensils, knives and small electric appliances. Everything that you could need for preparing meals is securely stored here. The ORGA-LINE knife block safely stores up to nine knives of different sizes. Even large knives with heavy handles are held firmly in place thanks to the handle support.

### Space requirement



### Order specification



“Preparation” zone


# ORGA-LINE for drawers


## Kitchen utensils, knives and small electric appliances


Order specification


All images show NL 500, layout will differ slightly for other nominal lengths


Cabinet width 275–300 mm		
	Nominal length	
	450 mm	ZSI.450BI1N
	500 mm	ZSI.500BI1N
	550 mm	ZSI.550BI1N
	600 mm	ZSI.600BI1N
	650 mm	ZSI.650BI1N

Cabinet width 800 mm		
	Nominal length	
	450 mm	ZSI.80VUI4
	500 mm	ZSI.80VUI6
	550 mm	ZSI.80VUI7
	600 mm	ZSI.80VUI8
	650 mm	ZSI.80VUI9

Cabinet width 400–550 mm		
	Nominal length	
	450 mm	ZSI.450FI2N
	500 mm	ZSI.500FI2N
	550 mm	ZSI.550FI2N
	600 mm	ZSI.600FI2N
	650 mm	ZSI.650FI2N


Cabinet width 900 mm		
	Nominal length	
	450 mm	ZSI.90VUI4
	500 mm	ZSI.90VUI6
	550 mm	ZSI.90VUI7
	600 mm	ZSI.90VUI8
	650 mm	ZSI.90VUI9


Cabinet width 600 mm		
	Nominal length	
	450 mm	ZSI.60VUI4
	500 mm	ZSI.60VUI6
	550 mm	ZSI.60VUI7
	600 mm	ZSI.60VUI8
	650 mm	ZSI.60VUI9

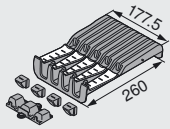
Cabinet width 1.000 mm		
	Nominal length	
	450 mm	ZSI.10VUI4
	500 mm	ZSI.10VUI6
	550 mm	ZSI.10VUI7
	600 mm	ZSI.10VUI8
	650 mm	ZSI.10VUI9

"Preparation" zone

### Order specification

Cabinet width 1.200 mm		
	Nominal length	
	450 mm	ZSI.12VUI4
	500 mm	ZSI.12VUI6
	550 mm	ZSI.12VUI7
	600 mm	ZSI.12VUI8
	650 mm	ZSI.12VUI9

SPACE CORNER installation dimension 900–1200 mm		
	Nominal length	
	600 mm	ZSI.450F13
	650 mm	ZSI.500F13

Knife holder		
	Colour	RAL7037
		Nylon
	Suitable for cabinet widths 400 mm and higher	ZSZ.02M0
	Can also be used in the utensil divider.	



# ORGA-LINE for TANDEMBOX intivo

## Open provisions

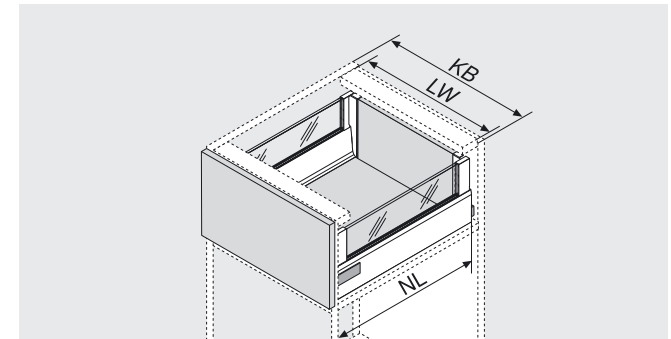
### Product



### Description

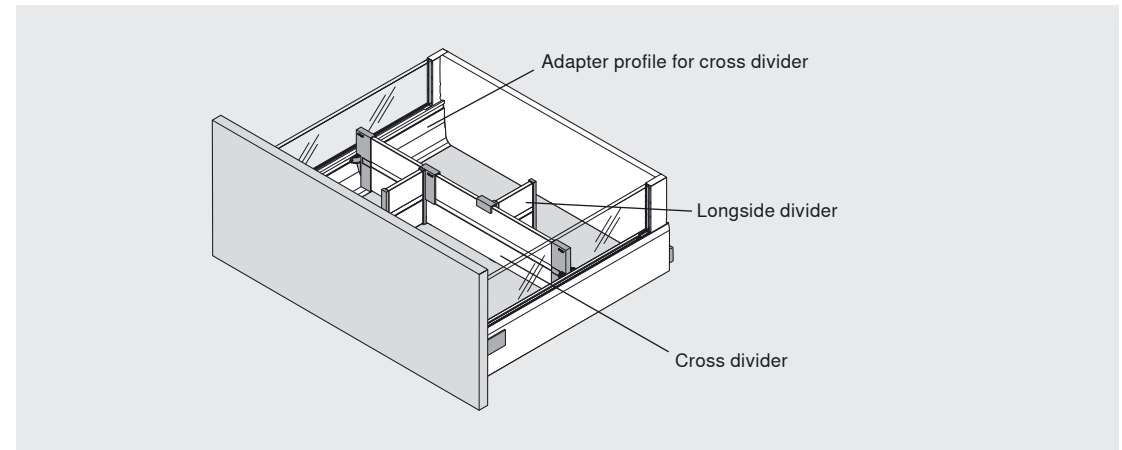
Anyone who wants to store lots of provisions in the kitchen requires additional storage space. Opened packets of provisions such as flour, sugar and rice can be stored under the main work area. High cross and longside dividers ensure that goods are held securely yet are easy to view and access. So when you need it, the right ingredient is close at hand.

### Space requirement



KB	Cabinet width
LW	Inner cabinet width
NL	Nominal length

### Order specification



“Preparation” zone

## Order specification

Set content												
Nominal length	Carcase width [mm]											
	275	300	400	450	500	550	600	800	900	1.000	1.200	
450 mm	1 x QT			1 x QT, 2 x LT				1 x QT, 3 x LT				
500 mm	2 x QT			2 x QT 3 x LT				2 x QT 6 x LT				
550 mm												
600 mm												
650 mm												
SPACE CORNER												
600 mm	1 x QT for cutting to size 2 x LT											
650 mm												
Special cabinet widths: Cross divider for cutting to size										Page	140	
	QT	Cross divider										
	LT	Longside divider										

Adapter profile for cross divider			
Colour variants	Nominal length	SW	TS
		Steel	Inox
	450 mm	Z49L422S	Z49L422I
	500 mm	Z49L472S	Z49L472I
	550 mm	Z49L522S	Z49L522I
	600 mm	Z49L572S	Z49L572I
	650 mm	Z49L622S	Z49L622I
SW	Silk white		
TS	Terra black		

ORGA-LINE sets for nominal length 450 mm			
Colour variants	Cabinet width	SW	TS
		Steel	Inox
	275 mm	ZFL.27BUS4	ZFL.27BUI4
	300 mm	ZFL.30BUS4	ZFL.30BUI4
	400 mm	ZFL.40BUS4	ZFL.40BUI4
	450 mm	ZFL.45BUS4	ZFL.45BUI4
	500 mm	ZFL.50BUS4	ZFL.50BUI4
	550 mm	ZFL.55BUS4	ZFL.55BUI4
	600 mm	ZFL.60BUS4	ZFL.60BUI4
	800 mm	ZFL.80BUS4	ZFL.80BUI4
	900 mm	ZFL.90BUS4	ZFL.90BUI4
	1.000 mm	ZFL.10BUS4	ZFL.10BUI4
	1.200 mm	ZFL.12BUS4	ZFL.12BUI4

ORGA-LINE sets for nominal lengths 500–650 mm			
Colour variants	Cabinet width	SW	TS
		Steel	Inox
	275 mm	ZFL.27BUS6	ZFL.27BUI6
	300 mm	ZFL.30BUS6	ZFL.30BUI6
	400 mm	ZFL.40BUS6	ZFL.40BUI6
	450 mm	ZFL.45BUS6	ZFL.45BUI6
	500 mm	ZFL.50BUS6	ZFL.50BUI6
	550 mm	ZFL.55BUS6	ZFL.55BUI6
	600 mm	ZFL.60BUS6	ZFL.60BUI6
	800 mm	ZFL.80BUS6	ZFL.80BUI6
	900 mm	ZFL.90BUS6	ZFL.90BUI6
	1.000 mm	ZFL.10BUS6	ZFL.10BUI6
	1.200 mm	ZFL.12BUS6	ZFL.12BUI6

# ORGA-LINE for TANDEMBOX intivo

## Spices

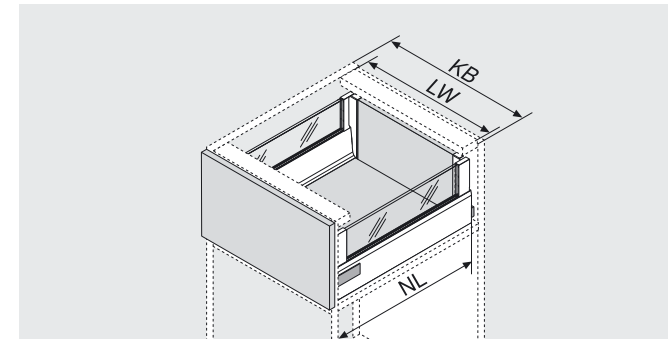
### Product



### Description

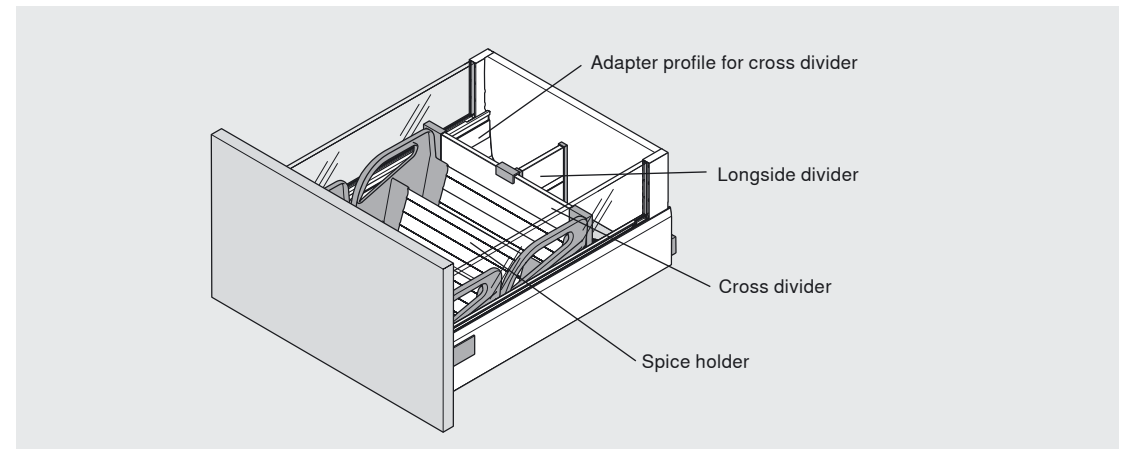
When cooking/preparing meals, the right spices/herbs should always be close at hand. The ORGA-LINE spice holder securely stores both small and large containers – all within easy reach. It is also very easy to clean – it's even dishwasher-proof. An optional front stabiliser can provide additional support in wider pull-outs.

### Space requirement



KB	Cabinet width
LW	Inner cabinet width
NL	Nominal length

### Order specification



“Preparation” zone

Order specification

Set content			
Nominal length	Carcase width [mm]		
	300	400	450
450 mm	1 x QT		1 x QT, 2 x LT
500 mm			
550 mm			
600 mm	2 x QT		2 x QT, 3 x LT
650 mm			
Special cabinet widths: Cross divider for cutting to size			Page 140
	QT	Cross divider	
	LT	Longside divider	

Adapter profile for cross divider			
Colour variants	Nominal length	SW	TS
		Steel	Inox
	450 mm	Z49L422S	Z49L422I
	500 mm	Z49L472S	Z49L472I
	550 mm	Z49L522S	Z49L522I
	600 mm	Z49L572S	Z49L572I
	650 mm	Z49L622S	Z49L622I
SW	Silk white		
TS	Terra black		

ORGA-LINE sets for nominal lengths 450–550 mm			
Colour variants	Cabinet width	SW	TS
		Steel	Inox
	300 mm	ZFL.30BUS4	ZFL.30BUI4
	400 mm	ZFL.40BUS4	ZFL.40BUI4
	450 mm	ZFL.45BUS4	ZFL.45BUI4

ORGA-LINE sets for nominal lengths 600–650 mm			
Colour variants	Cabinet width	SW	TS
		Steel	Inox
	300 mm	ZFL.30BUS6	ZFL.30BUI6
	400 mm	ZFL.40BUS6	ZFL.40BUI6
	450 mm	ZFL.45BUS6	ZFL.45BUI6

Spice holder			
Colour	Cabinet width	Width	Inox
	300 mm	212 mm	2 pcs. ZFZ.30G0I
	400 mm	312 mm	2 pcs. ZFZ.40G0I
	450 mm	362 mm	2 pcs. ZFZ.45G0I

# ORGA-LINE for TANDEMBOX intivo

## Bottles

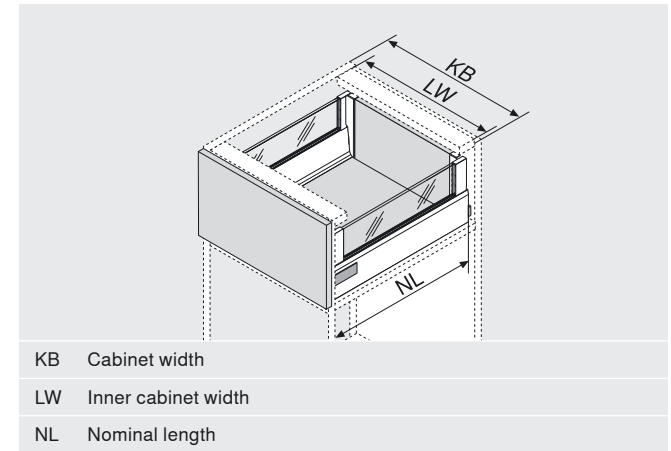
### Product



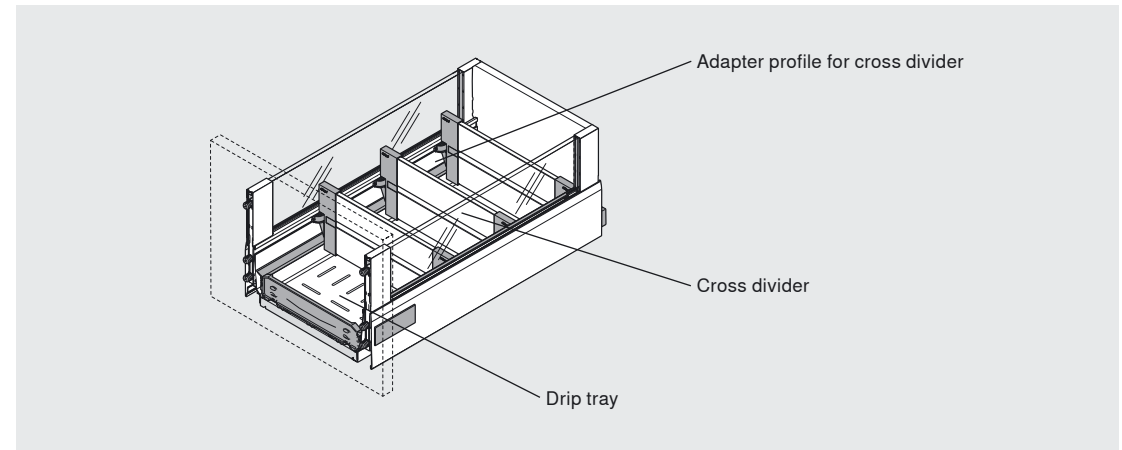
### Description

The high fronted pull-out is especially well-suited for storing bottles of every size. Adjustable cross dividers ensure bottles are held securely in place. Easy access to oils, vinegar, marinades and dressings. The hygienic stainless steel bottle rack is very easy to clean.

### Space requirement



### Order specification



"Preparation" zone

Order specification

Set content bottle rack	
Nominal length	
450 mm	3 x QT, 1 x FW
500 mm	4 x QT, 1 x FW
550 mm	
600 mm	5 x QT, 1 x FW
650 mm	
	FW Bottle rack
	QT Cross divider

ORGA-LINE set bottle rack for cabinet width 275 mm			
	Colour variants	SW	TS
	Nominal length	Steel	
	450 mm	ZFL.27BFS4	ZFL.27BFI4
	500 mm	ZFL.27BFS6	ZFL.27BFI6
	550 mm	ZFL.27BFS7	ZFL.27BFI7
	600 mm	ZFL.27BFS8	ZFL.27BFI8
	650 mm	ZFL.27BFS9	ZFL.27BFI9

Adapter profile for cross divider			
	Colour variants	SW	TS
	Nominal length	Steel	
	450 mm	Z49L422S	Z49L422I
	500 mm	Z49L472S	Z49L472I
	550 mm	Z49L522S	Z49L522I
	600 mm	Z49L572S	Z49L572I
	650 mm	Z49L622S	Z49L622I
	SW Silk white		
	TS Terra black		

ORGA-LINE set bottle rack for cabinet width 300 mm			
	Colour variants	SW	TS
	Nominal length	Steel	
	450 mm	ZFL.30BFS4	ZFL.30BFI4
	500 mm	ZFL.30BFS6	ZFL.30BFI6
	550 mm	ZFL.30BFS7	ZFL.30BFI7
	600 mm	ZFL.30BFS8	ZFL.30BFI8
	650 mm	ZFL.30BFS9	ZFL.30BFI9

# ORGA-LINE for TANDEMBOX intivo

## Bottles and cutting boards

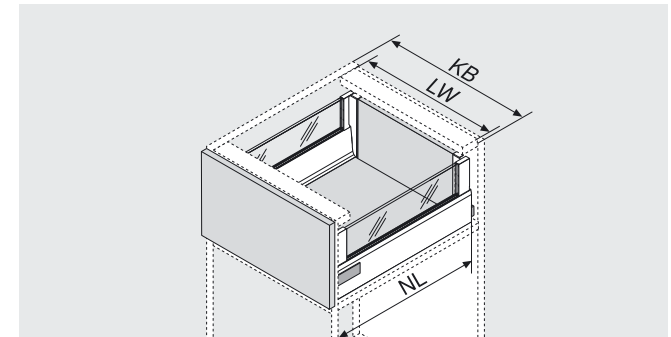
### Product



### Description

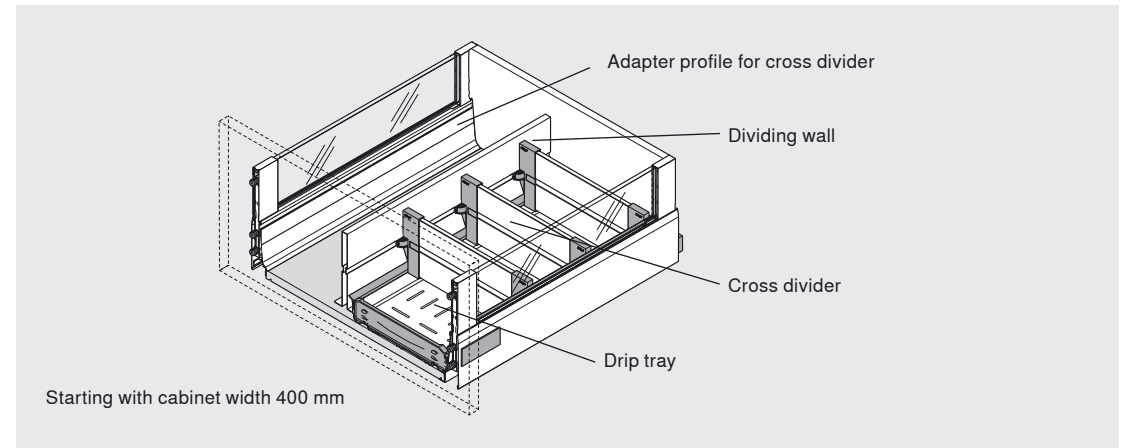
The high pull-out can now also be adapted to store cutting boards along with bottles. This highly practical solution makes it easy to find the right cutting board and saves unnecessary bending and stretching. If the contents of one of the bottles should leak then; no problem. The removable stainless steel tray of the ORGA-LINE set is very easy to clean.

### Space requirement



KB	Cabinet width
LW	Inner cabinet width
NL	Nominal length

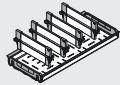
### Order specification

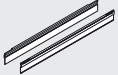


“Preparation” zone

Order specification

Set content	
Nominal length	Cabinet width 400 mm and higher
450 mm	3 x QT, 1 x FW
500 mm	4 x QT, 1 x FW
550 mm	
600 mm	5 x QT, 1 x FW
650 mm	
	FW Bottle rack
	QT Cross divider

ORGA-LINE set bottle rack for cabinet width 300 mm			
	Colour variants	SW	TS
	Nominal length	Steel	
		Inox	
	450 mm	ZFL.30BFS4	ZFL.30BFI4
	500 mm	ZFL.30BFS6	ZFL.30BFI6
	550 mm	ZFL.30BFS7	ZFL.30BFI7
	600 mm	ZFL.30BFS8	ZFL.30BFI8
	650 mm	ZFL.30BFS9	ZFL.30BFI9

Adapter profile for cross divider			
	Colour variants	SW	TS
	Nominal length	Steel	
		Inox	
	450 mm	Z49L422S	Z49L422I
	500 mm	Z49L472S	Z49L472I
	550 mm	Z49L522S	Z49L522I
	600 mm	Z49L572S	Z49L572I
	650 mm	Z49L622S	Z49L622I
	SW Silk white		
	TS Terra black		

Dividing wall			
	Colour variants	SW	TS
	Nominal length	Steel	
		Inox	
	450 mm	Z46L420S	Z46L420I
	500 mm	Z46L470S	Z46L470I
	550 mm	Z46L520S	Z46L520I
	600 mm	Z46L570S	Z46L570I
	650 mm	Z46L620S	Z46L620I
		Starting at cabinet width 500 mm 1 pce. additional	
	Starting at cabinet width 600 mm 2 pce. additional		

# ORGA-LINE for TANDEMBOX intivo

## Bottles and provisions

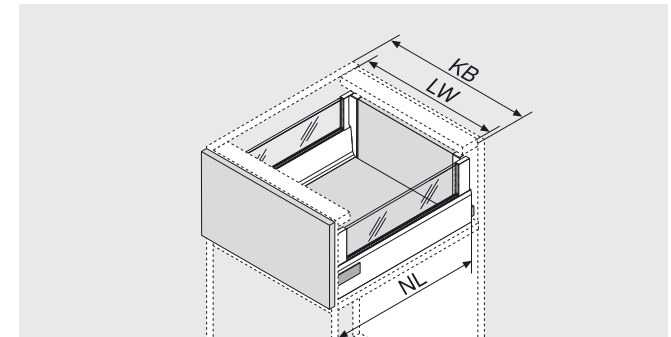
### Product



### Description

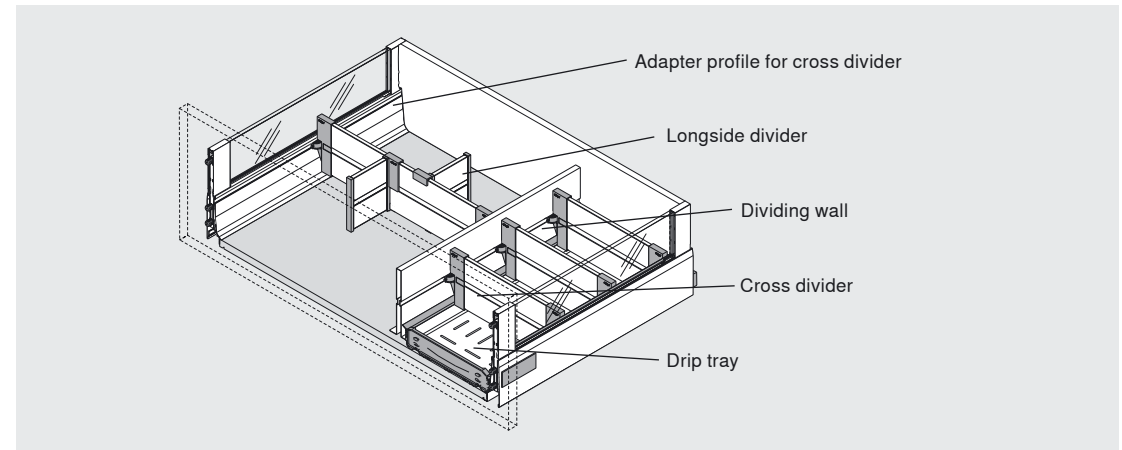
Thanks to ORGA-LINE, provisions can now be organised alongside bottles in a pull-out. High side walls and adjustable cross and lateral dividers prevent bottles and provisions from falling over. The stainless steel bottle rack makes clean up child's play.

### Space requirement



KB	Cabinet width
LW	Inner cabinet width
NL	Nominal length

### Order specification

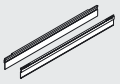


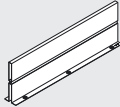
“Preparation” zone

Order specification

Set content	
Nominal length	
450 mm	3 x QT, 1 x FW
500 mm	4 x QT, 1 x FW
550 mm	
600 mm	5 x QT, 1 x FW
650 mm	
	FW Bottle rack
	QT Cross divider

ORGA-LINE set bottle rack for cabinet width 300 mm			
	Colour variants	SW	TS
	Nominal length	Steel	
	450 mm	ZFL.30BFS4	ZFL.30BFI4
	500 mm	ZFL.30BFS6	ZFL.30BFI6
	550 mm	ZFL.30BFS7	ZFL.30BFI7
	600 mm	ZFL.30BFS8	ZFL.30BFI8
	650 mm	ZFL.30BFS9	ZFL.30BFI9

Adapter profile for cross divider			
	Colour variants	SW	TS
	Nominal length	Steel	
	450 mm	Z49L422S	Z49L422I
	500 mm	Z49L472S	Z49L472I
	550 mm	Z49L522S	Z49L522I
	600 mm	Z49L572S	Z49L572I
	650 mm	Z49L622S	Z49L622I
	SW Silk white		
	TS Terra black		

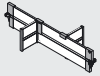
Dividing wall			
	Colour variants	SW	TS
	Nominal length	Steel	
	450 mm	Z46L420S	Z46L420I
	500 mm	Z46L470S	Z46L470I
	550 mm	Z46L520S	Z46L520I
	600 mm	Z46L570S	Z46L570I
	650 mm	Z46L620S	Z46L620I

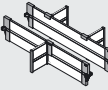
# ORGA-LINE for TANDEMBOX intivo

## Bottles and provisions

### Order specification

Set content	
	Carcase width [mm]
Nominal length	900                      1.200
450 mm	1 x QT, 3 x LT
500 mm	2 x QT, 6 x LT
550 mm	
600 mm	
650 mm	
Special cabinet widths: Cross divider for cutting to size <span style="float: right;">Page <b>140</b></span>	
	QT    Cross divider
	LT    Longside divider

ORGA-LINE sets for nominal length 450 mm			
	Colour variants	SW	TS
	Cabinet width	Steel	Inox
	Combination 900 mm	<b>ZFL.54BUS4</b>	<b>ZFL.54BUI4</b>
	Combination 1.200 mm	<b>ZFL.84BUS4</b>	<b>ZFL.84BUI4</b>

ORGA-LINE sets for nominal lengths 500–650 mm			
	Colour variants	SW	TS
	Cabinet width	Steel	Inox
	Combination 900 mm	<b>ZFL.54BUS6</b>	<b>ZFL.54BUI6</b>
	Combination 1.200 mm	<b>ZFL.84BUS6</b>	<b>ZFL.84BUI6</b>

# ORGA-LINE for drawers

## Cooking utensils

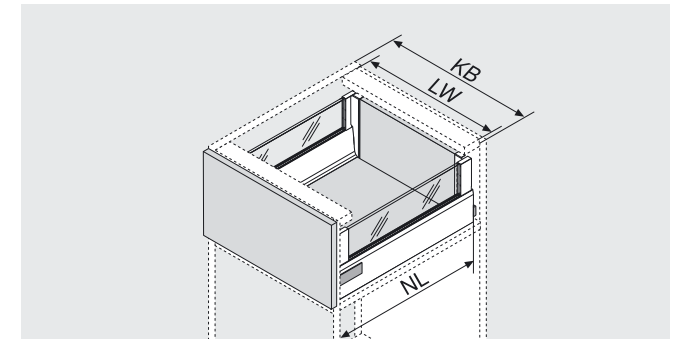
### Product



### Description

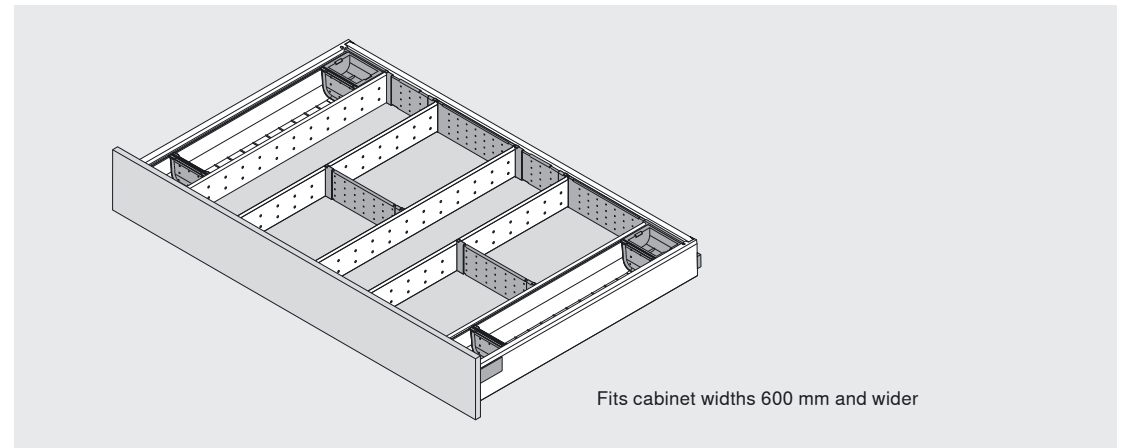
Whether you are stirring soup or turning meat – the tools you need should be close to hand in the cooking area. Using ORGA-LINE inner dividing systems, drawers under the hob are well organised providing quick access to the right utensil.

### Space requirement



KB	Cabinet width
LW	Inner cabinet width
NL	Nominal length

### Order specification



"Cooking" zone


# ORGA-LINE for drawers


## Cooking utensils


Order specification


All images show NL 500, layout will differ slightly for other nominal lengths

Cabinet width 600 mm		
	Nominal length	
	450 mm	ZSI.60VUI4
	500 mm	ZSI.60VUI6
	550 mm	ZSI.60VUI7
	600 mm	ZSI.60VUI8
	650 mm	ZSI.60VUI9

Cabinet width 1.000 mm		
	Nominal length	
	450 mm	ZSI.10VUI4
	500 mm	ZSI.10VUI6
	550 mm	ZSI.10VUI7
	600 mm	ZSI.10VUI8
	650 mm	ZSI.10VUI9

Cabinet width 800 mm		
	Nominal length	
	450 mm	ZSI.80VUI4
	500 mm	ZSI.80VUI6
	550 mm	ZSI.80VUI7
	600 mm	ZSI.80VUI8
	650 mm	ZSI.80VUI9

Cabinet width 1.200 mm		
	Nominal length	
	450 mm	ZSI.12VUI4
	500 mm	ZSI.12VUI6
	550 mm	ZSI.12VUI7
	600 mm	ZSI.12VUI8
	650 mm	ZSI.12VUI9

Cabinet width 900 mm		
	Nominal length	
	450 mm	ZSI.90VUI4
	500 mm	ZSI.90VUI6
	550 mm	ZSI.90VUI7
	600 mm	ZSI.90VUI8
	650 mm	ZSI.90VUI9

# ORGA-LINE for TANDEMBOX intivo

## Pots, lids, pans and cooking utensils

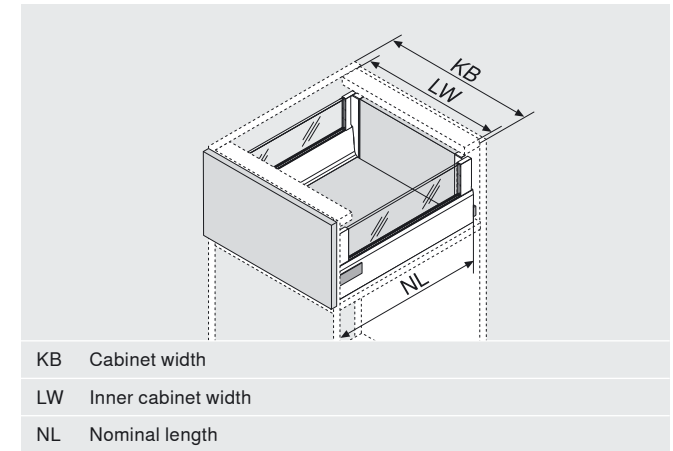
### Product



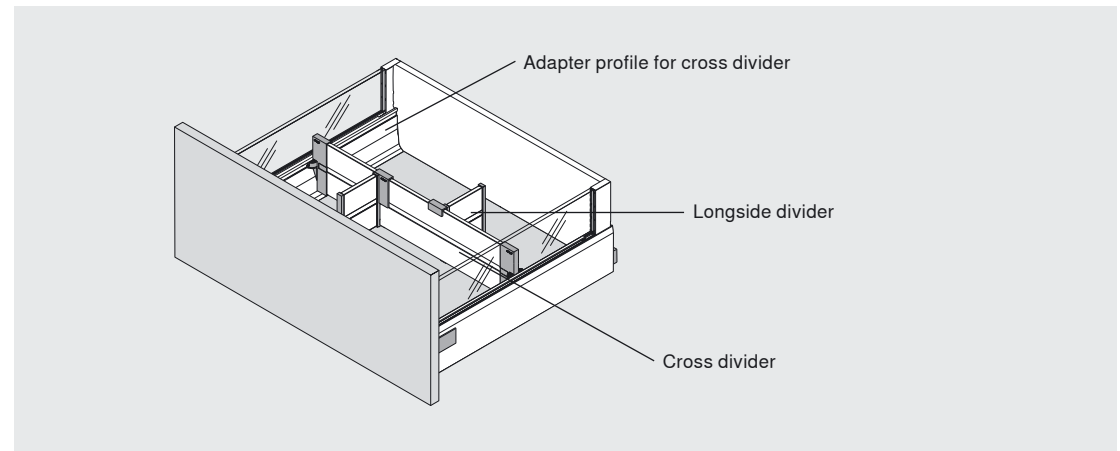
### Description

Cooking items that are used on a regular basis should be kept near the oven and hob. With ORGA-LINE, you can organise the interior of your high fronted pull-out so that pots and lids are stored together. High back and side walls provide secure storage – preventing pot handles from jutting out. If need be, there is even additional space for commonly-used cooking utensils.

### Space requirement



### Order specification



"Cooking" zone

# ORGA-LINE for TANDEMBOX intivo

## Pots, lids, pans and cooking utensils

### Order specification

Set content						
Nominal length	Carcase width [mm]					
	600	800	900	1.000	1.200	
450 mm	1 x QT 2 x LT	1 x QT, 3 x LT				
500 mm	2 x QT 3 x LT					
550 mm						
600 mm						2 x QT 6 x LT
650 mm						
Special cabinet widths: Cross divider for cutting to size					Page 140	
	QT	Cross divider				
	LT	Longside divider				

Adapter profile for cross divider			
Nominal length	Colour variants		
	SW	TS	
	Steel		Inox
450 mm	Z49L422S	Z49L422I	
500 mm	Z49L472S	Z49L472I	
550 mm	Z49L522S	Z49L522I	
600 mm	Z49L572S	Z49L572I	
650 mm	Z49L622S	Z49L622I	

ORGA-LINE sets for nominal length 450 mm			
Cabinet width	Colour variants		
	SW	TS	
	Steel		Inox
600 mm	ZFL.60BUS4	ZFL.60BU14	
800 mm	ZFL.80BUS4	ZFL.80BU14	
900 mm	ZFL.90BUS4	ZFL.90BU14	
1.000 mm	ZFL.10BUS4	ZFL.10BU14	
1.200 mm	ZFL.12BUS4	ZFL.12BU14	
	SW	Silk white	
	TS	Terra black	

ORGA-LINE sets for nominal lengths 500–650 mm			
Cabinet width	Colour variants		
	SW	TS	
	Steel		Inox
600 mm	ZFL.60BUS6	ZFL.60BU16	
800 mm	ZFL.80BUS6	ZFL.80BU16	
900 mm	ZFL.90BUS6	ZFL.90BU16	
1.000 mm	ZFL.10BUS6	ZFL.10BU16	
1.200 mm	ZFL.12BUS6	ZFL.12BU16	

# ORGA-LINE for TANDEMBOX intivo

## Baking ingredients

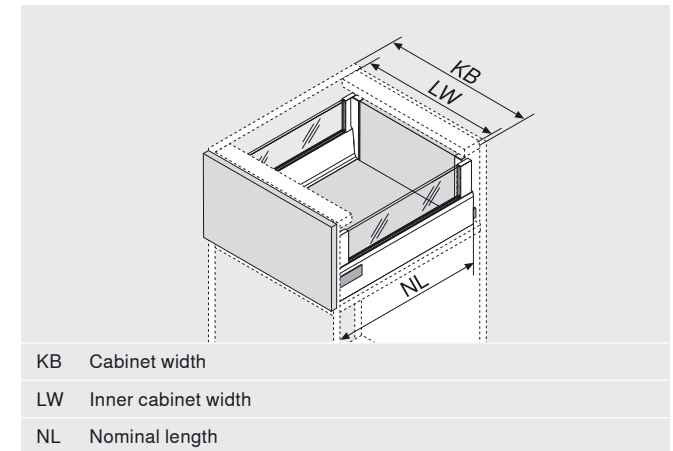
### Product



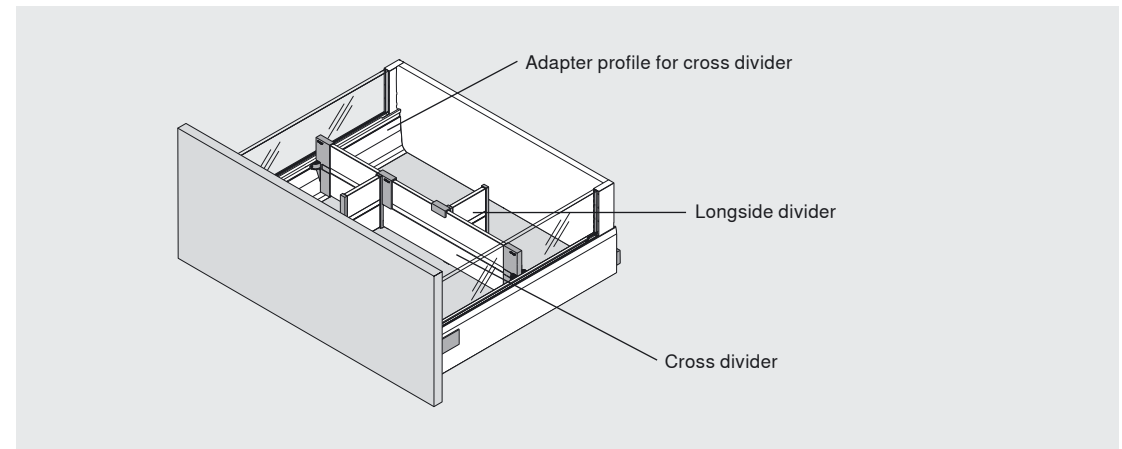
### Description

Do you bake a lot in the kitchen?  
Baking ingredients should be kept close to the oven and hob to save time and effort.  
All ingredients can be stored within easy reach in a spacious high fronted pull-out equipped with ORGA-LINE cross and longside dividers.

### Space requirement



### Order specification



"Cooking" zone

# ORGA-LINE for TANDEMBOX intivo

## Baking ingredients

### Order specification

Set content											
Nominal length	Carcase width [mm]										
	275	300	400	450	500	550	600	800	900	1.000	1.200
450 mm	1 x QT		1 x QT, 2 x LT				1 x QT, 3 x LT				
500 mm	2 x QT		2 x QT 3 x LT				2 x QT 6 x LT				
550 mm											
600 mm											
650 mm											
Special cabinet widths: Cross divider for cutting to size											Page 140
	QT	Cross divider									
	LT	Longside divider									

Adapter profile for cross divider			
Colour variants	Nominal length	SW	TS
		Steel	Inox
	450 mm	Z49L422S	Z49L422I
	500 mm	Z49L472S	Z49L472I
	550 mm	Z49L522S	Z49L522I
	600 mm	Z49L572S	Z49L572I
	650 mm	Z49L622S	Z49L622I
SW	Silk white		
TS	Terra black		

ORGA-LINE sets for nominal length 450 mm			
Colour variants	Cabinet width	SW	TS
		Steel	Inox
	275 mm	ZFL.27BUS4	ZFL.27BU14
	300 mm	ZFL.30BUS4	ZFL.30BU14
	400 mm	ZFL.40BUS4	ZFL.40BU14
	450 mm	ZFL.45BUS4	ZFL.45BU14
	500 mm	ZFL.50BUS4	ZFL.50BU14
	550 mm	ZFL.55BUS4	ZFL.55BU14
	600 mm	ZFL.60BUS4	ZFL.60BU14
	800 mm	ZFL.80BUS4	ZFL.80BU14
	900 mm	ZFL.90BUS4	ZFL.90BU14
	1.000 mm	ZFL.10BUS4	ZFL.10BU14
	1.200 mm	ZFL.12BUS4	ZFL.12BU14

ORGA-LINE sets for nominal lengths 500–650 mm			
Colour variants	Cabinet width	SW	TS
		Steel	Inox
	275 mm	ZFL.27BUS6	ZFL.27BU16
	300 mm	ZFL.30BUS6	ZFL.30BU16
	400 mm	ZFL.40BUS6	ZFL.40BU16
	450 mm	ZFL.45BUS6	ZFL.45BU16
	500 mm	ZFL.50BUS6	ZFL.50BU16
	550 mm	ZFL.55BUS6	ZFL.55BU16
	600 mm	ZFL.60BUS6	ZFL.60BU16
	800 mm	ZFL.80BUS6	ZFL.80BU16
	900 mm	ZFL.90BUS6	ZFL.90BU16
	1.000 mm	ZFL.10BUS6	ZFL.10BU16
	1.200 mm	ZFL.12BUS6	ZFL.12BU16

# ORGA-LINE for TANDEMBOX intivo

## Baking trays and baking forms

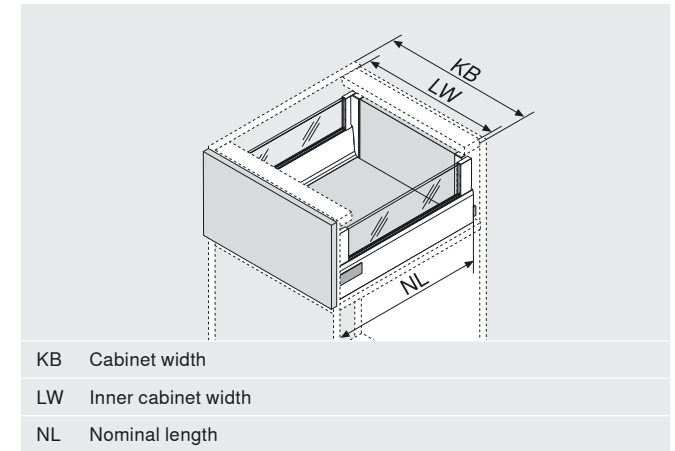
### Product



### Description

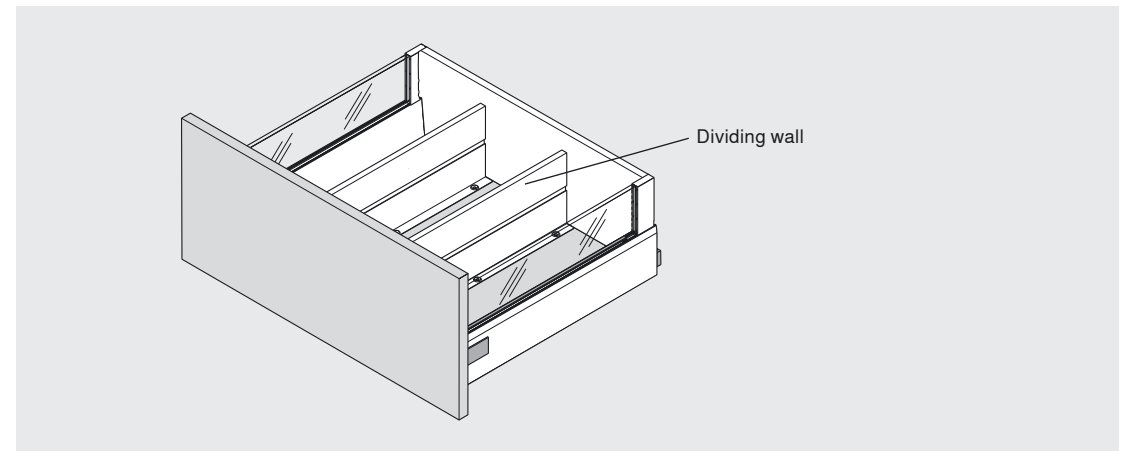
Having baking ingredients nearby is only half the battle. You also need to have; baking trays, cake tins, accessories and utensils close to hand. These can be stored in an upright position in a high fronted pull-out using ORGA-LINE dividing walls. This saves space and improves accessibility.

### Space requirement



KB	Cabinet width
LW	Inner cabinet width
NL	Nominal length

### Order specification

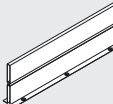


"Cooking" zone

# ORGA-LINE for TANDEMBOX intivo

## Baking trays and baking forms

### Order specification

Dividing wall			
	Colour variants	SW	TS
	Nominal length	Steel                      Inox	
	450 mm	Z46L420S	Z46L420I
	500 mm	Z46L470S	Z46L470I
	550 mm	Z46L520S	Z46L520I
	600 mm	Z46L570S	Z46L570I
	650 mm	Z46L620S	Z46L620I
	Starting at cabinet width 400 mm 2 pce.		
Starting at cabinet width 500 mm 3 pce.			

"Cooking" zone

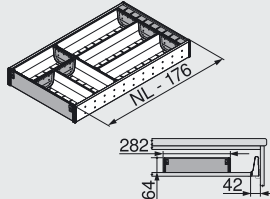
# ORGA-LINE for drawers

## Special cabinet widths

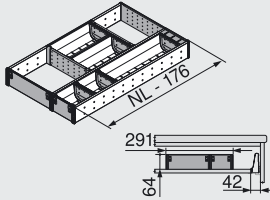
It is possible to customise drawers with special widths using ORGA-LINE modular sets. The customer has the option to integrate further accessories into drawers and pull-outs. (Such as the plate-holder, knife holder and spice holder).

Order specification for drawers

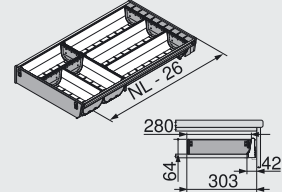
All images show NL 500, layout will differ slightly for other nominal lengths

SPACE CORNER		
	Nominal length	
	600 mm	ZSI.450BI3E
	650 mm	ZSI.500BI3E

Cutlery sets (B)		
	Nominal length	
	450 mm	ZSI.450BI1N
	500 mm	ZSI.500BI1N
	550 mm	ZSI.550BI1N
	600 mm	ZSI.600BI1N
	650 mm	ZSI.650BI1N

SPACE CORNER		
	Nominal length	
	600 mm	ZSI.450MI3E
	650 mm	ZSI.500MI3E

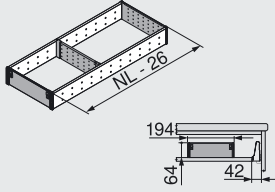
Cutlery sets (B)		
	Nominal length	
	450 mm	ZSI.450BI2N
	500 mm	ZSI.500BI2N
	550 mm	ZSI.600BI2N
	600 mm	ZSI.600BI2N
	650 mm	ZSI.650BI2N

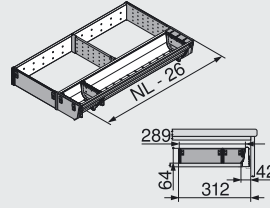
Cutlery sets (B)		
	Nominal length	
	450 mm	ZSI.450BI3N
	500 mm	ZSI.500BI3
	550 mm	ZSI.550BI3
	600 mm	ZSI.600BI3
	650 mm	ZSI.650BI3

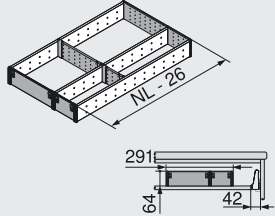
# ORGA-LINE for drawers

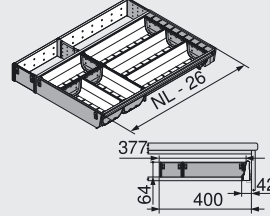
## Special cabinet widths

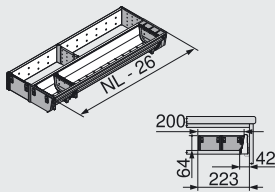
Order specification for drawers

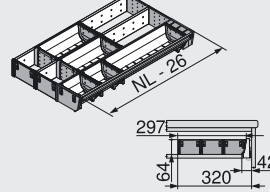
Utensil combination sets (F)		
	Nominal length	
	450 mm	ZSI.450FI2N
	500 mm	ZSI.500FI2N
	550 mm	ZSI.550FI2N
	600 mm	ZSI.600FI2N
	650 mm	ZSI.650FI2N

Combination sets (K)		
	Nominal length	
	450 mm	ZSI.450KI3N
	500 mm	ZSI.500KI3N
	550 mm	ZSI.550KI3N
	600 mm	ZSI.600KI3N
	650 mm	ZSI.650KI3N

Utensil combination sets (F)		
	Nominal length	
	450 mm	ZSI.450FI3
	500 mm	ZSI.500FI3
	550 mm	ZSI.550FI3
	600 mm	ZSI.600FI3
	650 mm	ZSI.650FI3

Combination sets (K)		
	Nominal length	
	450 mm	ZSI.450KI4N
	500 mm	ZSI.500KI4
	550 mm	ZSI.550KI4
	600 mm	ZSI.600KI4
	650 mm	ZSI.650KI4


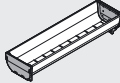
Combination sets (K)		
	Nominal length	
	450 mm	ZSI.450KI2N
	500 mm	ZSI.500KI2N
	550 mm	ZSI.550KI2N
	600 mm	ZSI.600KI2N
	650 mm	ZSI.650KI2N

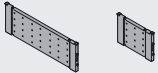
Combination sets (M)		
	Nominal length	
	450 mm	ZSI.450MI3
	500 mm	ZSI.500MI3
	550 mm	ZSI.550MI3
	600 mm	ZSI.600MI3
	650 mm	ZSI.650MI3

# ORGA-LINE for TANDEMBOX intivo

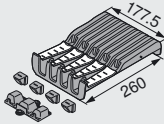
## Accessories

### Order specification for drawers

Containers		
	88 x 88 mm	ZSI.010SI
	88 x 176 mm	ZSI.020SI
	88 x 264 mm	ZSI.030SI
	88 x 352 mm	ZSI.040SI

Adjustable cross dividers		
	88 mm	ZSI.010Q
	176 mm	ZSI.020Q

### ORGA-LINE accessories

Knife holder		
	177.5 x 260 mm	ZSZ.02M0

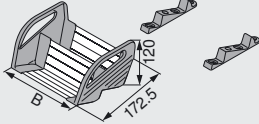
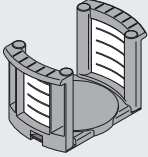
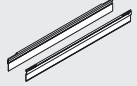
Spice holder			
	Cabinet width	Width	
	300 mm	212 mm	ZFZ.30G0I
	400 mm	312 mm	ZFZ.40G0I
	450 mm	362 mm	ZFZ.45G0I

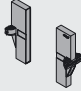
Plate-holder			
	Plate diameters	180–320 mm	ZTH.0350
	Overall height	171 mm	
	Stacking height of plates	144 mm	

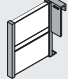
# ORGA-LINE for TANDEMBOX intivo

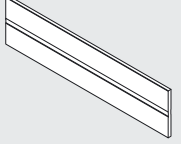
## Special cabinet widths

### Order specification

Adapter profile for cross divider					
	Colour variants	SW	TS		
	Nominal length	Steel		Inox	
	270 mm	Z49L242S	Z49L242I		
	300 mm	Z49L272S	Z49L272I		
	350 mm	Z49L322S	Z49L322I		
	400 mm	Z49L372S	Z49L372I		
	450 mm	Z49L422S	Z49L422I		
	500 mm	Z49L472S	Z49L472I		
	550 mm	Z49L522S	Z49L522I		
	600 mm	Z49L572S	Z49L572I		
	650 mm	Z49L622S	Z49L622I		
	SW	Silk white			
	TS	Terra black			

Cross divider connector				
	Colour variants			
		SW	TS	RAL7037
		Nylon		
		Z40L0002		

Longside divider				
	Colour variants			
		SW	TS	
		Steel		Inox
	Length 100 mm	Z43L100S	Z43L100I	

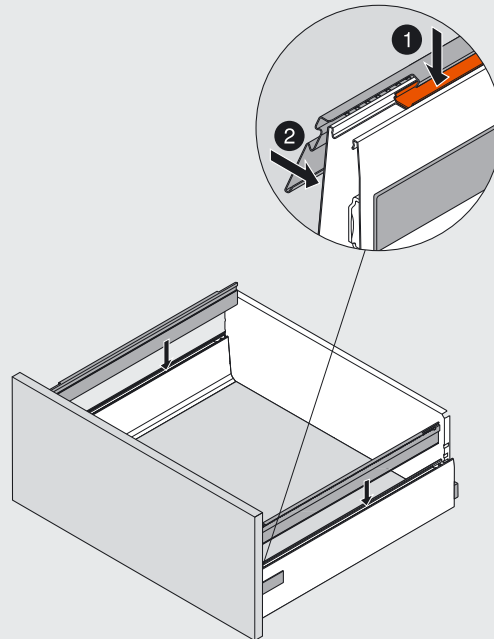
Cross divider for cutting to size				
	Colour variants	SW	TS	Nickel plated
		Alu		
		Z40L1077A		
	Length 1.077 mm			
	Cutting: Inner cabinet width - 91 mm			

# ORGA-LINE for TANDEMBOX intivo

## Assembly and setup

### BOXCOVER and BOXCAP

#### Adapter profile for ORGA-LINE assembly



The distance profile should not be damaged when inserting the adapter profile.

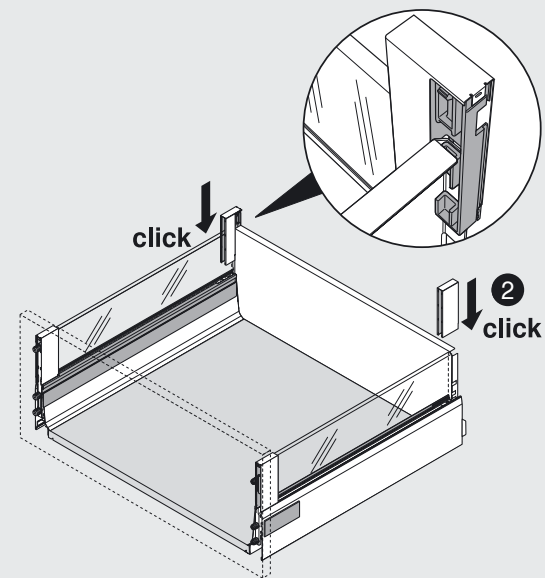
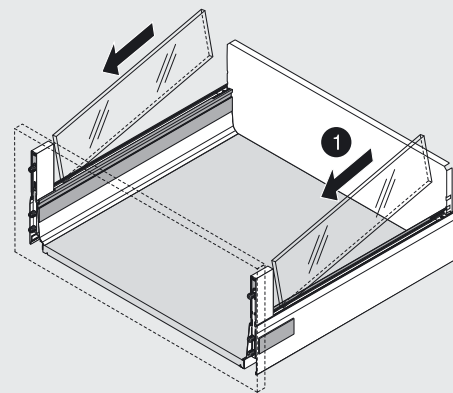
Identical for BOXCOVER and BOXCAP

# ORGA-LINE for TANDEMBOX intivo

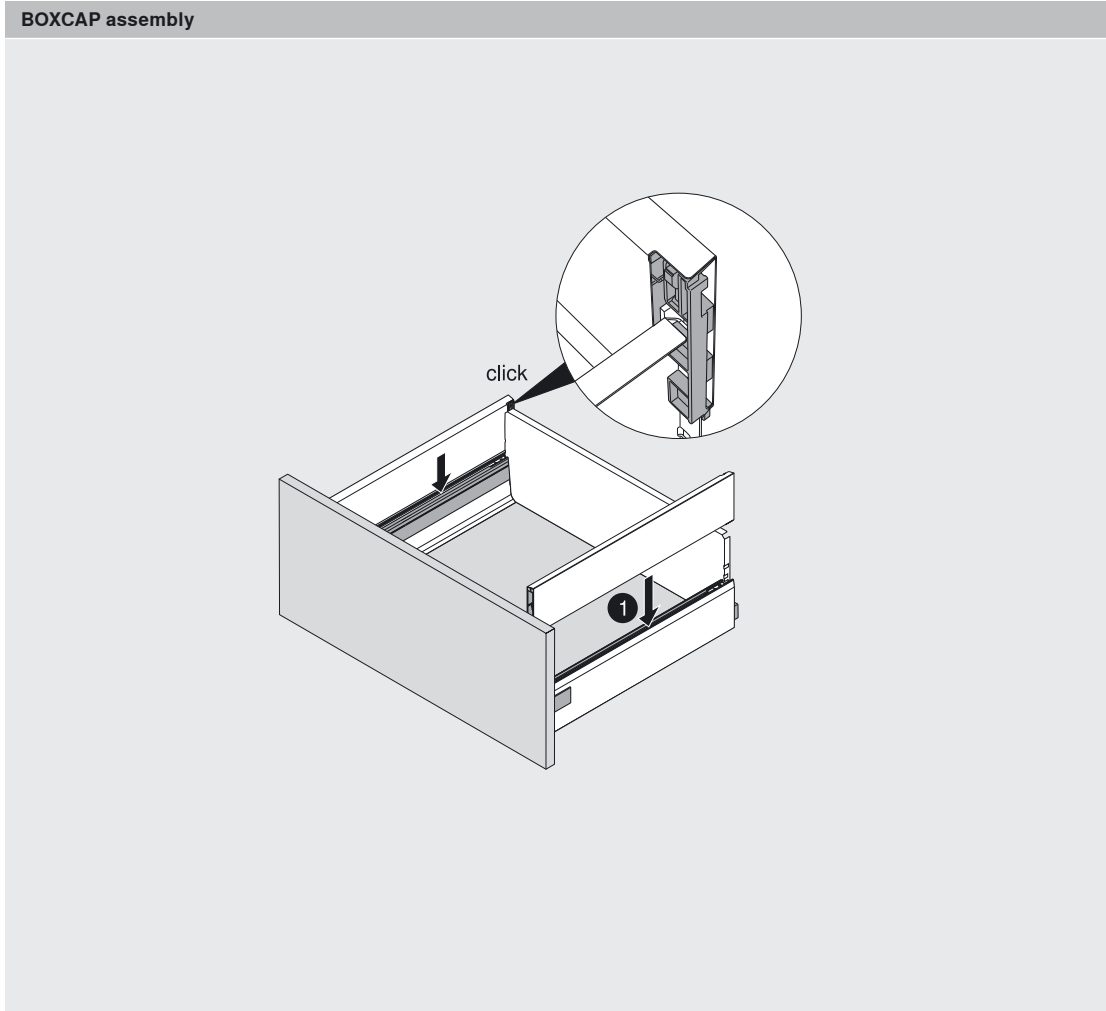
## Assembly and setup

### BOXCOVER and BOXCAP

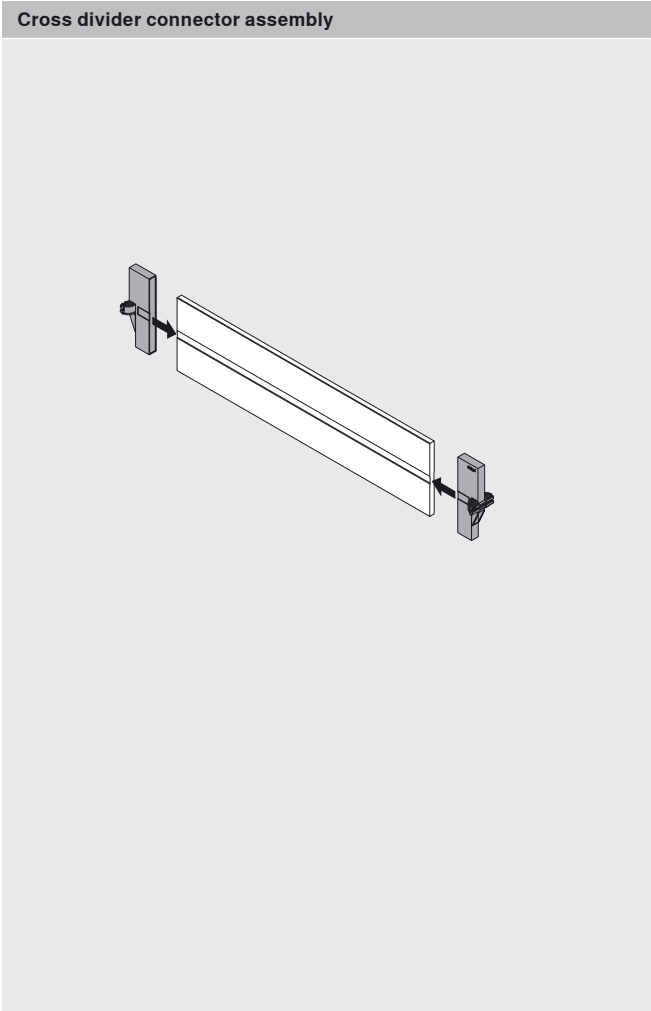
Design element and BOXCOVER assembly



BOXCOVER and BOXCAP



Cross divider for cutting to size

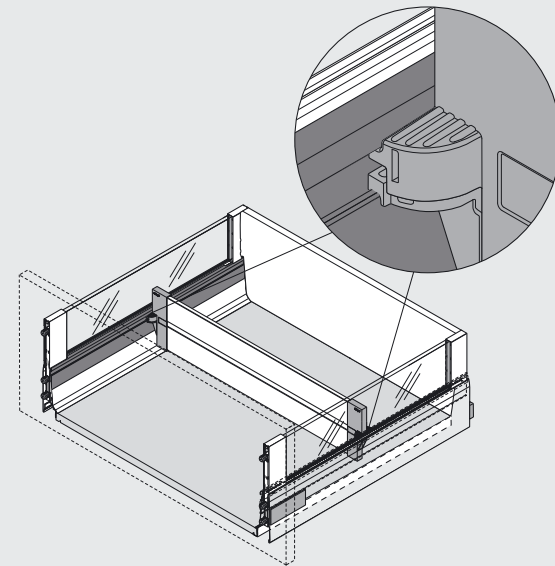
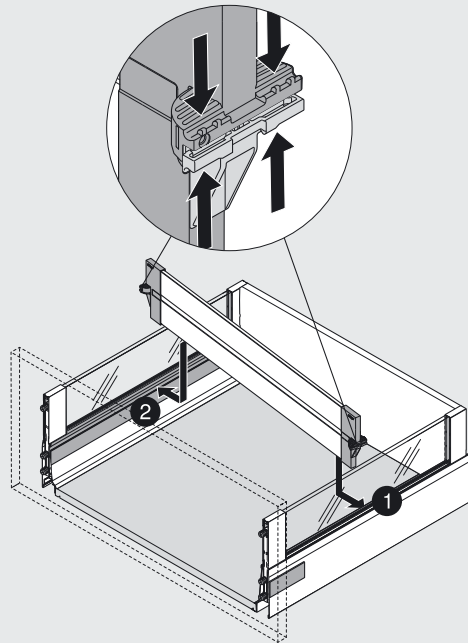


# ORGA-LINE for TANDEMBOX intivo

## Assembly and setup

BOXCOVER and BOXCAP

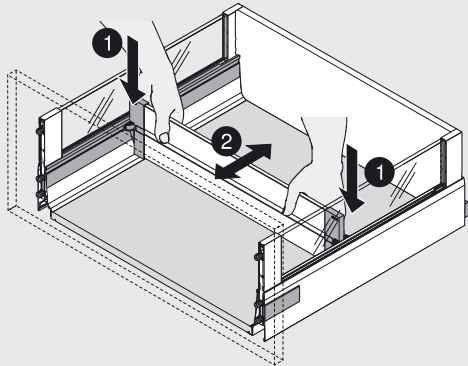
### Cross divider assembly



Identical for BOXCOVER and BOXCAP.

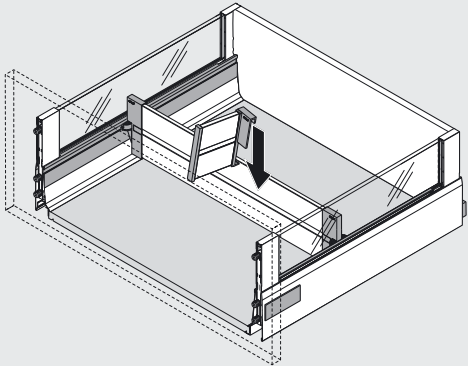
BOXCOVER and BOXCAP

Cross divider adjustment



Identical for BOXCOVER and BOXCAP.

Longside divider assembly



Identical for BOXCOVER and BOXCAP.

# Perfecting motion

## Putting perfect motion into practice

Renowned for exceptional design and superior quality of motion, Blum enhances the kitchen users' experience. With employees all over the world working to implement our vision of perfect motion, Blum crafts and evolves technologies and solutions to meet and exceed the expectations of kitchen users.

For over half a century, quality has been at the heart of the Blum philosophy. Our superior fittings systems are synonymous with design and performance excellence: demonstrated by superior functionality, thoughtful design and exceptional durability.

Our goal is to achieve complete customer satisfaction. By focusing entirely on the pursuit of excellence across our range of products and services, we also endeavour to deliver the best possible support to our furniture partners. We remain in a constant dialogue with kitchen users and regularly exchange information with furniture manufacturers, joiners and distributors. Remaining approachable and accessible at all levels enables us to apply our efforts and resources appropriately, and to best effect.



## Discover the variety



Silk white

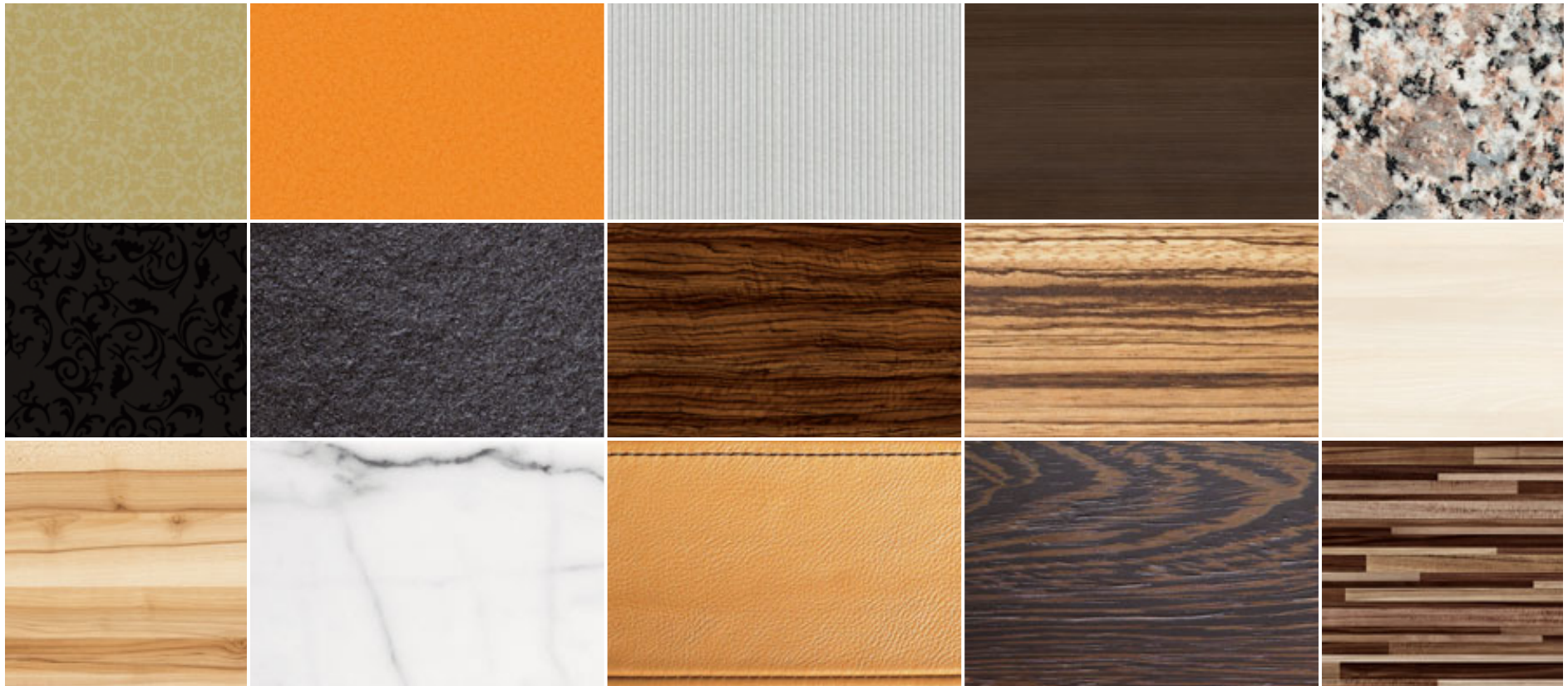


Terra black



Stainless steel

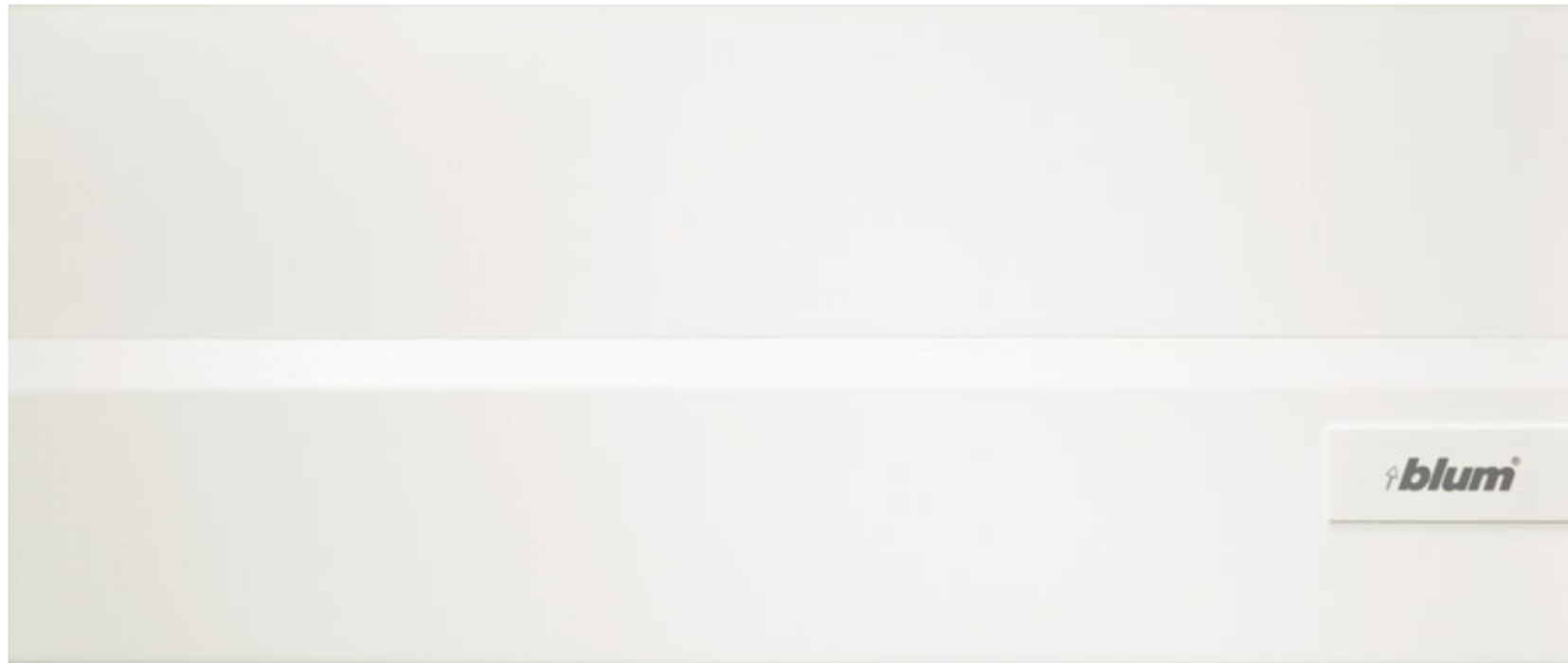
Stimulate your creativity with the wealth of design choices available using TANDEMBOX intivo.  
The selection of potential design element materials shown below is just the start.



Try out your own design ideas.

Julius Blum GmbH  
Furniture Fittings Mfg.  
6973 Höchst, Austria  
Tel.: +43 5578 705-0  
Fax: +43 5578 705-44  
E-mail: [info@blum.com](mailto:info@blum.com)  
[www.blum.com](http://www.blum.com)





Silk white

## Silk white

Bright, friendly and infinitely accommodating; a clean and crisp backdrop with endless design possibilities.





Terra black

## Terra black

Elegant, silent and dramatic; a bold, contemporary statement slightly softened with a hint of brown.



## Stainless steel

Stylish, smooth and radiant; complements and enhances traditional and modern finishes with cool elegance.

Stainless steel