



TANDEMBOX Sink unit



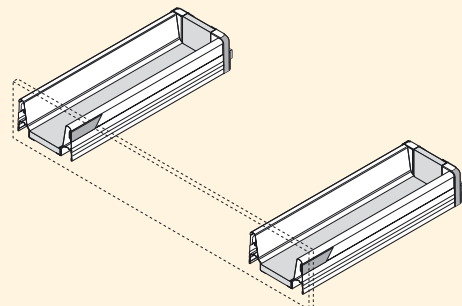
Ideas for the sink cabinet

By using pull-outs under the sink, you can make better and more intelligent use of valuable kitchen storage space.

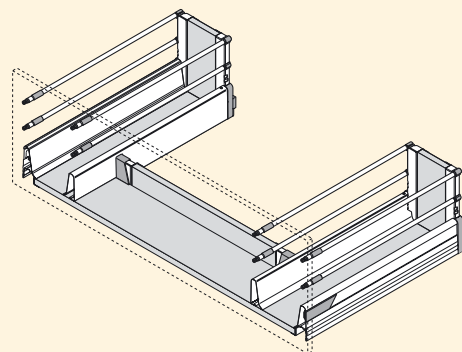


Everything required for washing up can be easily stored in the new pull-out under the sink. The result; total over-view and unrestricted access.

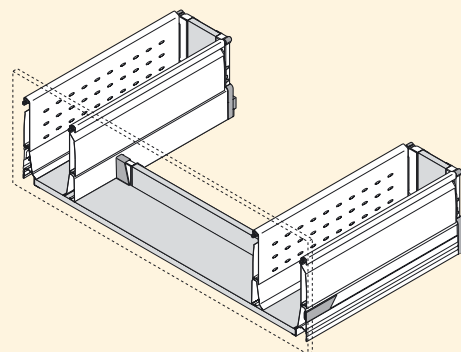
Pull-out organisation can be optimised by incorporating the ORGA-LINE inner dividing system. The bottom pull-out is perfectly suited for waste and recycling storage.



Sink drawer, height M



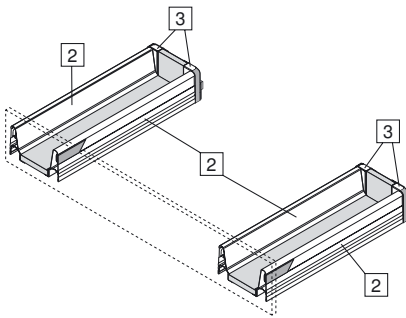
Sink pull-out, height D
with double gallery



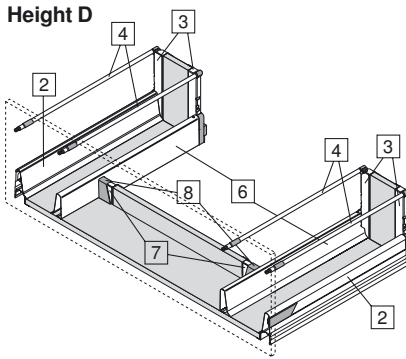
Sink pull-out, height D
with thick walled BOXSIDE

Order specification

Height M



Height D



Sink pull-out for 1, 1½-basin sinks (900 - 1000 mm carcass width) and 2 basin sinks (1200 mm carcass width).

1	Carcass profiles left / right		
	Nominal Length	30 kg	50 kg
450 mm	558.4501B	559.4501B	
500 mm	558.5001B	559.5001B	
550 mm	558.5501B	559.5501B	
600 mm		559.6001B	
650 mm		559.6501B	

6	Sink drawer side left / right		
	SW	SG	Inox
	358M4504SG	358M4504G	
	358M5004SG	358M5004G	
	358M5504SG	358M5504G	
	359M6004SG	359M6004G	
	359M6504SG	359M6504G	

2	[1] Drawer sides and cover caps left / right					
	Nominal Length	Height M / D		SW	SG	Alu
450 mm	2 x 1 x	2 x 1 x	358M4502S	358M4502A	358M4502I	
500 mm	2 x 1 x	2 x 1 x	358M5002S	358M5002A	358M5002I	
550 mm	2 x 1 x	2 x 1 x	358M5502S	358M5502A	358M5502I	
600 mm	2 x 1 x	2 x 1 x	359M6002S	359M6002A	359M6002I	
650 mm	2 x 1 x	2 x 1 x	359M6502S	359M6502A	359M6502I	

Can be printed with customer logo - minimums from 1,000 pcs

3	Back and gallery fixing left / right		
	white, met. grey, nickel	Height M	Z30M000S
	white, met. grey, nickel <th>Height D</th> <th>Z30D000S</th>	Height D	Z30D000S

4	Lateral gallery rail left / right	
	white, met. grey, alu, chrome	Nominal Length
450 mm	2 x	ZRG.396V.IC
500 mm	2 x	ZRG.446V.IC
550 mm	2 x	ZRG.496V.IC
600 mm	2 x	ZRG.546V.IC
650 mm	2 x	ZRG.596V.IC

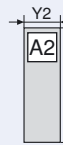
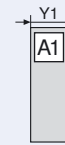
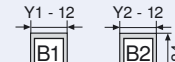
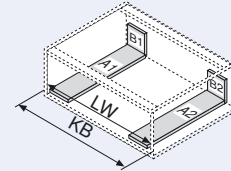
7	Back fixing left / right	
	white, met. grey, nickel	Z30N000S.04

8	Adapter left/right	
	grey	Z30N0002.6Z

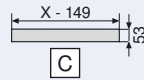
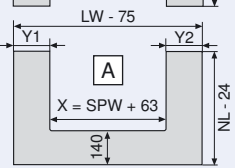
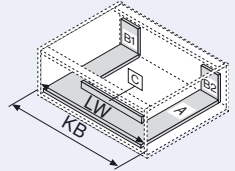
5	Front fixing brackets		
	INSERTA version	4 x 2 x	ZSF.3902
	Screw-on version	4 x 2 x	ZSF.3502
	Knock-in version	4 x 2 x	ZSF.3602

Cutting dimensions for 16 mm chipboard

Height M



Height D

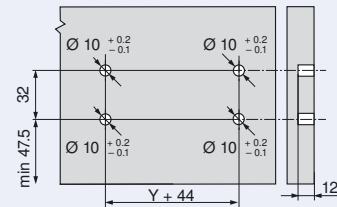


KB Carcass width
LW Internal width
NL Nominal Length
SPW Internal width between sink drawer sides

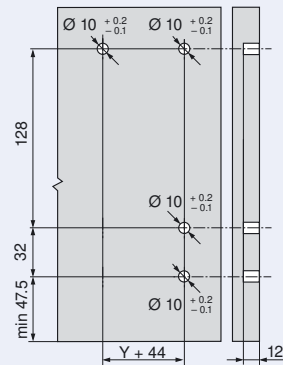
Installation dimensions

Drilling dimensions for INSERTA and knock-in front

Height M



Height D



Installation dimensions

Separator for Height D

