



TANDEMBOX Handle and latch for inner drawers



New handle for inner drawers

The new handle makes access to the inner drawer easier. It also acts as a cushion between the inner drawer and the high fronted pull-out when closing.



The latch connects the inner drawer to the pull-out front and enables both to be opened simultaneously.

This is especially practical for inner drawers that contain frequently used items. When you need to access the drawer or pull-out below, the latch can be disengaged with just the press of a finger.

Release

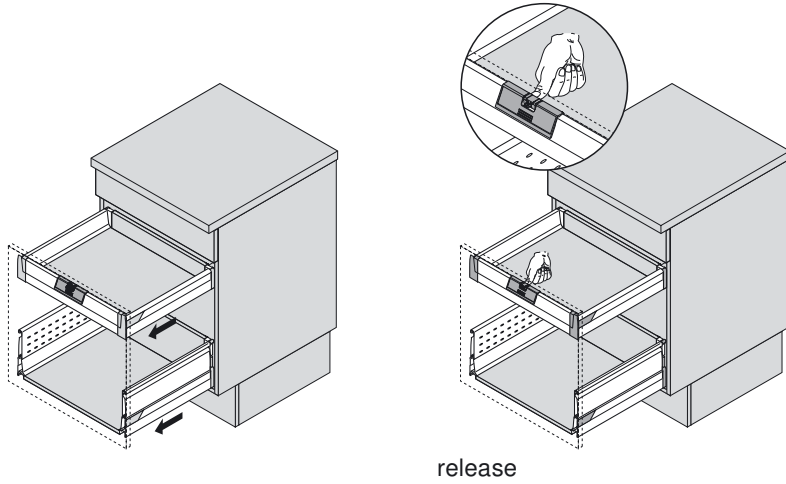


Deactivate latch



When the latch mechanism is deactivated, only the high fronted pull-out will open. The inner drawer remains closed and can be opened separately.

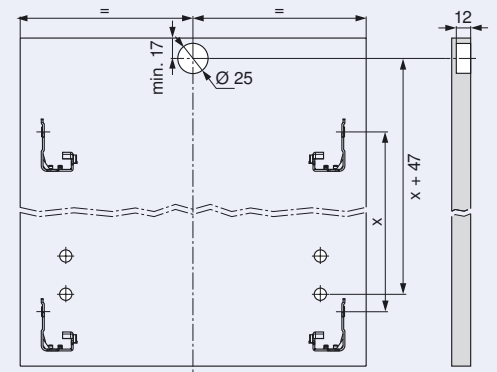
Latch activated



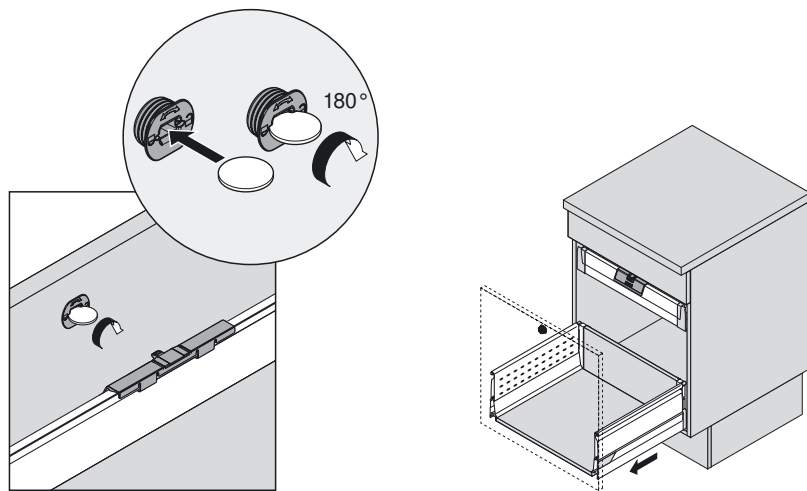
release

Installation dimension

Trigger housing

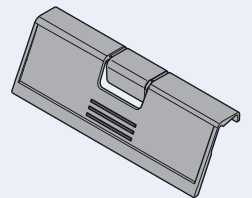


Deactivate latch



Order specification

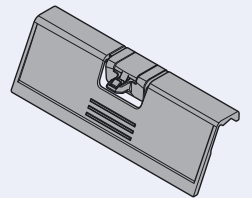
Handle



Handle

ZIF.7005

Handle and latch



Latch

ZIF.7007

Assembly

