



TANDEMBOX plus BLUMOTION

Now the perfect movement has been integrated

Perfecting motion  **blum**®

The new TANDEMBOX. Now with integrated BLUMOTION

We've incorporated all of our know-how

The new TANDEMBOX plus BLUMOTION offers additional unique features to the market. This versatile system has been designed to compliment; standard, inner and high fronted pull-out applications.

We have taken the new generation of BLUMOTION and directly integrated it into the proven TANDEM runner – thus creating an integrated perfect motion, smooth and effortless.

TANDEMBOX plus BLUMOTION is distinguished, above all, by its silent operation, its extreme ease-of-use and its excellent design. Its discreet perfection will inspire you and your customers.

Contents

Concept and system	4 – 7
Progressive technology	8 – 11
Versatile applications	12 – 23
Easy assembly	24 – 27
Materials, colours and heights	28 – 29
Important order information	30 – 35
The Blum brand	36 – 37





blum



intelligent material and design

We have combined the very latest technology ...





... with inspired design



The result is certainly something to be proud of

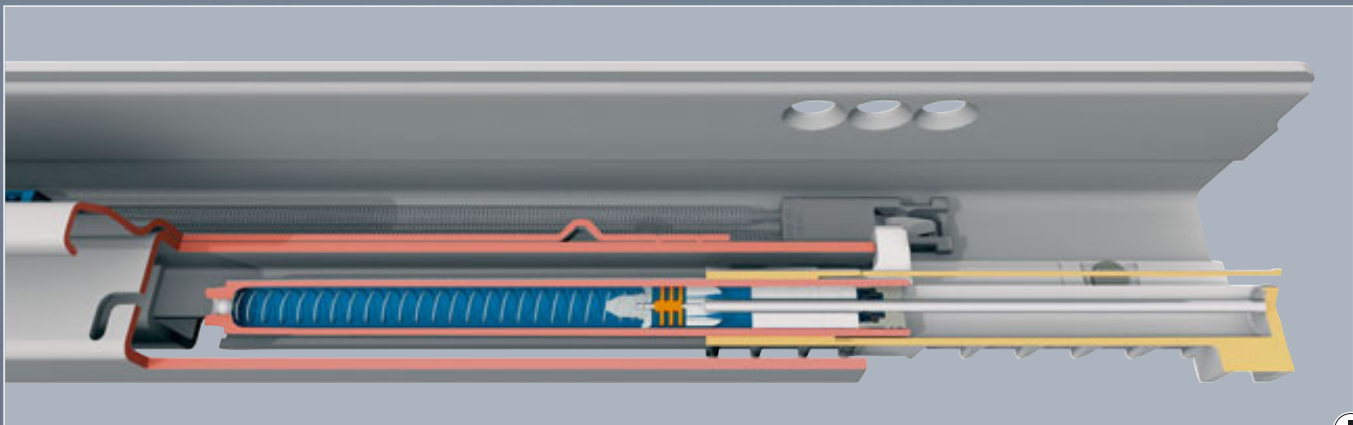
You don't see the technology – you experience it

TANDEMBOX plus BLUMOTION provides all of the options needed to build beautiful and functional furniture. Using just one system, you can implement countless application options. And that makes everything that much easier – from planning to ordering, all the way through to assembly.



Blum does most of the prep work for you so that you can get so much more from fewer parts. For example, there are 69 individual parts in a single carcass profile, and these parts have been assembled at one of our modern production facilities. All 69 parts play their own unique role in providing perfect motion that is both quiet and easy. Each part is subject to our strict quality assurance guidelines.

Of course your customers don't see any of this. Nevertheless, they will come to value the superior running properties of TANDEMBOX plus BLUMOTION – for the life of their furniture. And that's what really matters.



BLUMOTION

Perfect movement, silent and effortless

Integrated BLUMOTION

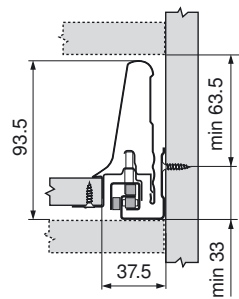
Now it is even easier to implement **BLUMOTION**: **BLUMOTION** is now integrated into the latest generation of **TANDEMBOX**.

This makes assembly faster and ordering easier.

In the part number, the "A" is simply replaced by a "B." Example:

558.5001A becomes 558.5001B

Now it is so much easier to integrate that perfect motion – quiet and easy – into your furniture: no additional effort required for drilling into the drawer base – no additional space requirement in the carcass.



This time-saving feature is possible because the **BLUMOTION** technology is integrated directly into the carcass profile. This integration also provides the best protection.

The elongated carcass profile for **TANDEMBOX** plus **BLUMOTION** can also be combined with regular drawer sides for 30 and 50 kg loads.

Upgrading kitchens by replacing carcass profiles is also very easy because the installation dimensions (height and depth) remain the same – even the familiar hole pattern.



Adaptive system – more than just dampening

It doesn't matter whether the pull-out is heavily laden or empty, pushed gently or with force – **BLUMOTION** will close it with perfect motion every time.

The adaptive system for the new BLUMOTION generation reduces the closing forces on a drawer or pull-out, always ensuring that typical Blum closing motion – quiet and easy.

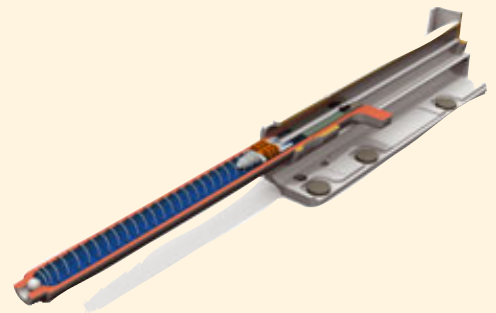


BLUMOTION in harmony with BLUMATIC

The components for the integrated BLUMOTION and BLUMATIC self-closing feature were designed to work together.

By combining the effortless and smooth running action of TANDEM-BOX, we have completely redefined standards in drawer movement. Let your customers be inspired.

Whether drawer or fully-loaded high fronted pull-out – all applications operate perfectly every time. With just a light touch, they close silently and effortlessly.



Programme: TANDEMBOX plus BLUMOTION now with nominal length 600!

Nom. length (mm)	270	350	400	450	500	550	600	650
558 / 30 kg	•	•	•	•	•	•		
559 / 50 kg			•	•	•	•	•	•
557 / 80 kg *			•	•	•	•	•	•

BLUMOTION is adaptive:

BLUMOTION automatically adjusts itself to the load and the closing speed. The BLUMOTION stroke varies depending upon the nominal runner length.

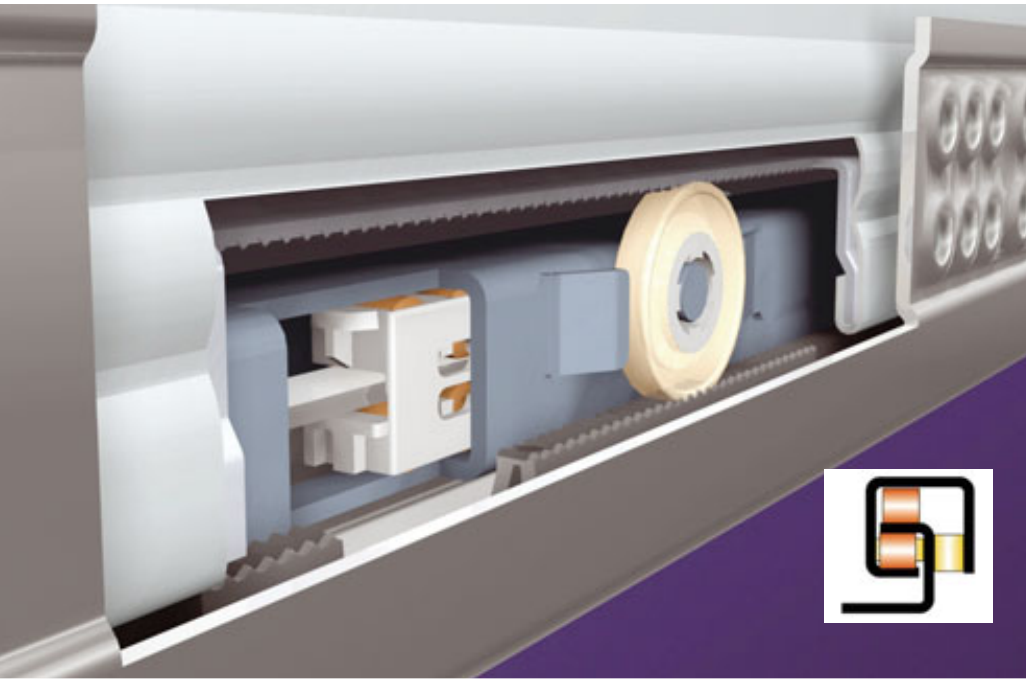
* BLUMOTION (part number Z70.81E0) for the 80 kg carcass profile is available as an optional part .

TANDEM full extension Technology that's already made history

Ultra light action from the TANDEM principle

The TANDEM runner is the proven system for ultra light running action for pull-outs and drawers. Even when fully loaded. Horizontal and vertical forces are cushioned separately by the TANDEM runner.

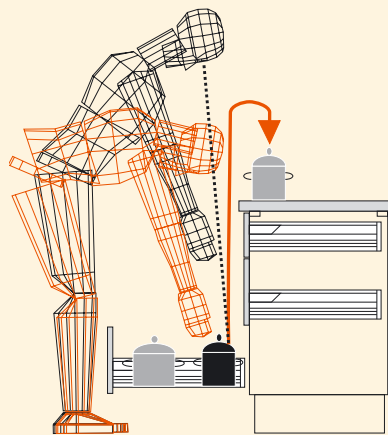
The carriage system with low-friction nylon cylindrical rollers provides fluent movement – for the life of the furniture. What's more the system is maintenance free.



Full extension for optimal access

TANDEMBOX plus BLUMOTION is a system with a concealed, guided full extension running system. The TANDEM full extension provides everything you need for optimal storage space utilisation and an ergonomic workflow.

Your customers will be able to view all the contents of their drawers and pull-outs, and easily reach what they need.



Full extension for an ergonomic workflow



Strong enough even for the heaviest loads

TANDEMBOX plus BLUMOTION also proves itself in the testing lab: The runner properties really stand out under a heavy load. The unique ultra light action is rounded off in the TANDEM plus BLUMOTION with a quiet and easy closing motion.

The proven TANDEM technology also guarantees impressive side stability even with a heavy load. And what about vertical? When the TANDEMBOX plus BLUMOTION is fully extended, sag is minimal. A precise gap image is the only thing you will see when fully closed. The TANDEM runner is available for different load bearing classes – for 30, 50 and 80 kg.

A runner system with endless possibilities

Drawers, inner drawers, and high fronted pull-outs; a wide assortment of inner dividers; available in various colours, different lengths and heights.

With TANDEMBOX plus BLUMOTION, you can create all kinds of useful applications for your customers – fulfilling their every desire.



DYNAMIC SPACE

More storage space and better quality of motion



by Blum

Realising a new kitchen standard

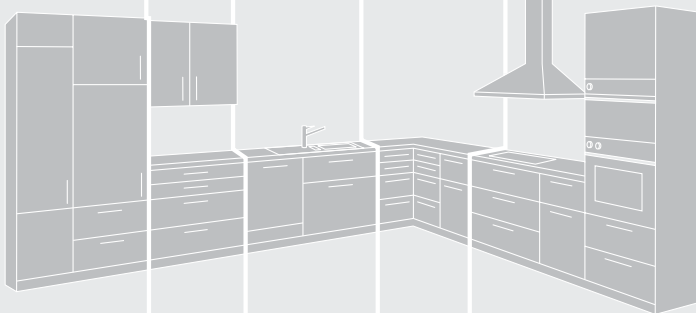
DYNAMIC SPACE supports ergonomic planning and kitchen installation. Main findings of DYNAMIC SPACE research:

- Earmark sufficient storage space during kitchen planning
- Ensure proper allocation of the 5 kitchen zones during planning: Consumables, Non-consumables, Cleaning, Preparation and Cooking (arrangement for right-handed people)
- No shelves in the lower cabinet!
- Select full extension wherever possible



TANDEMBOX plus BLUMOTION is a system with many undreamt-of applications. That makes it the perfect solution for increasing storage space and motion quality in the kitchen.

Using the wide-ranging programme of TANDEMBOX plus BLUMOTION, you can perfectly equip all 5 kitchen zones and increase the value of the beautifully designed work areas. In this way, TANDEMBOX plus BLUMOTION helps to realise the new kitchen standard DYNAMIC SPACE.



Lots of pantry items? TANDEMBOX plus BLUMOTION stores it all away

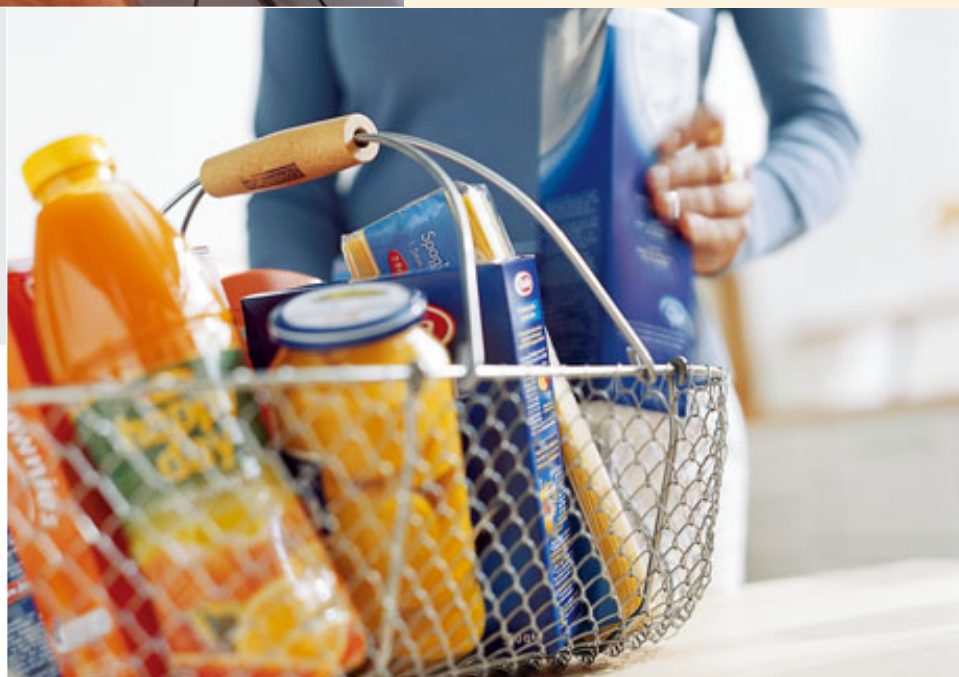
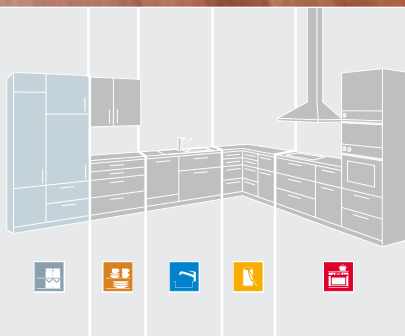


One glance – easy access

The high back and side walls of TANDEMBOX plus BLUMOTION provide more room and, above all, better storage space utilisation.

This adds up to 55% more storage space. TANDEMBOX full extension lets you see into even the farthest corner.

Ergonomic inner pull-outs are used for the high larder unit. This helps to save time and energy since one generally only needs to access a single pull-out to locate the required item(s).





ORGA-LINE provides organisation in the “Non-consumables” zone



Why should the inside of your furniture be any less perfect?

Using the ORGA-LINE system along with TANDEMBOX plus BLUMOTION for your drawers and pull-outs, provides an adjustable inner dividing system that just screams intelligence, quality and beauty.

Boxes as well as lateral and cross dividers made from stainless steel can be combined and moved according to individual requirements. In addition they can be removed and are even dishwasher-safe.



The ORGA-LINE plate holder is a real attention-grabber.

And we have also come up with something else for you:

Cross dividers are available in lengths for pull-outs with special widths. They can be cut to size to meet individual requirements.



The times are changing.
So is the sink cabinet

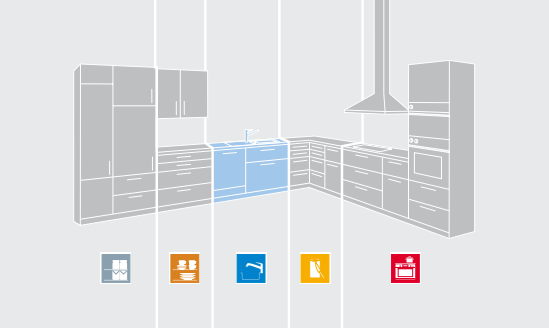




The sink cabinet shows its versatility

You can now transform perviously unused space directly under the sink into practical storage space using TANDEMBOX plus BLUMOTION. It is now much easier to assemble, and it fits seamlessly into the total image – for any “slab” front design.

ORGA-LINE inner dividing systems can also be used as desired.



BOXSIDES create high side walls behind which bottles of cleaning products can be stored.

For a totally perfect sink cabinet a quality pull-out waste bin should be fitted.



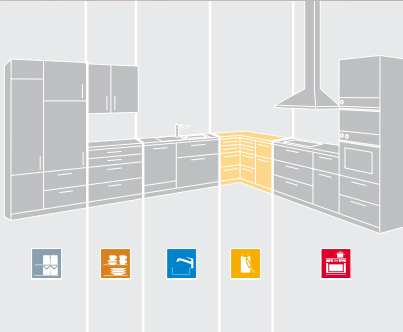
Good preparation is everything TANDEMBOX plus BLUMOTION helps in this regard



Everything right at hand

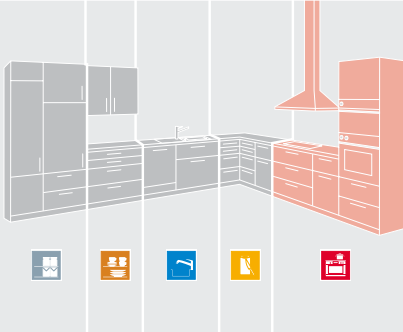
Before eating, you have to cook. And for that you want to be well prepared. TANDEMBOX plus BLUMOTION gives you everything you need to create a comfortable and ergonomic work area for your customers – just as would be seen in a professional environment.

The versatility of the new TANDEMBOX plus BLUMOTION programme combined with ORGA-LINE inner dividers brings ideas to life.





Whatever you need for cooking,
TANDEMBOX plus BLUMOTION will store it



**Pots and pans belong
on the stove.
Or in TANDEMBOX plus
BLUMOTION**

High fronted pull-outs with high back and side walls are ideal in the “Cooking” zone. Dividers and BOXSIDE provide organisation that is perfect for storing pots, pans and their various lids. Even baking sheets can be stored in these large volume pull-outs.



They also look good in the bathroom



It's good when bathroom furniture is just as perfect

There are many items of varying sizes that are used daily and have to be stored in the bathroom. This is where using TANDEMBOX plus BLUMOTION is a great idea. TANDEMBOX plus BLUMOTION gives bathroom furniture more storage space and increases comfort through the use of full extensions and flexible as well as hygienic ORGA-LINE inner dividers.



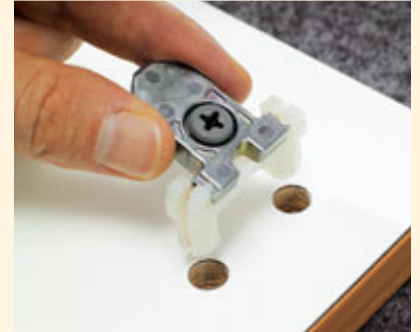
**Your comfort
is also very important to us**



Easy assembly of drawer sides and backs



The drawer base is cut precisely and fits exactly



The INSERTA front fixing bracket with split dowel being inserted

Quick and easy assembly

For us, it is very important to make installation and assembly as easy, quick and efficient as possible. Our TANDEMBOX system is distinguished by easy drawer insertion and removal, and tool free front assembly using INSERTA and CLIP technology.

BOXFIX

The new BOXFIX supports manufacturers with small to medium batch quantities.

Your advantages at a glance:

- Easy part insertion and clamping
- Versatile machine equipment – adjustable to your requirements
- Pre-set fittings make set-up quick and easy



- Drawer side lengths 270 to 650 mm
- Carcase widths 260 to 950 mm (other widths upon request)
- Back heights up to 300 mm

Manual BOXFIX

Part No. **ZMM.2350**

BOXFIX pneumatic

Part No. **ZMM.3350**

BOXFIX PRO

Part No. **ZMM.7350**



Fronts being clipped on – finished!



The drawer is easily inserted onto the TANDEM runner

CLIP and INSERTA

Tool free assembly is not only quick and easy. By eliminating screws and tools it is also safer. Not just for you – also for delicate furniture fronts.



For high fronted pull-outs:
Gallery rails are secured to the fronts using INSERTA technology ...



... and easily attached at the back.

You can count on support from the following:

DYNALOG 2.0

The new planning and ordering software from Blum contains a complete electronic catalogue and integrated DYNAMIC SPACE carcass library, which simplifies carcass

planning and the ordering of fittings. For more information, please see www.blum.com

Part No. **DYA.23XXF**



Marking gauge

- For marking all front bracket positions
- For marking drilling positions for the gallery front fixing using attached gallery marking gauge

For TANDEMBOX 358N

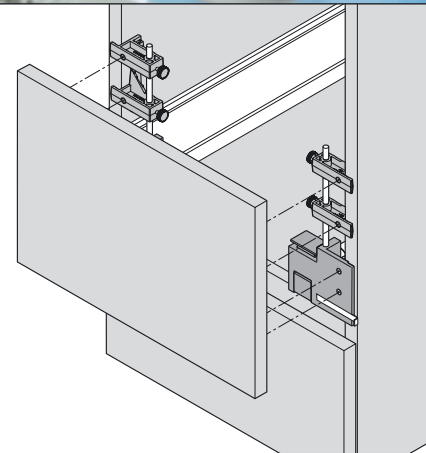
Part No. **ZML.3510**

For TANDEMBOX 358, 359M+K

Part No. **ZML.3580**

For TANDEMBOX with gallery

Part No. **ZML.3600**

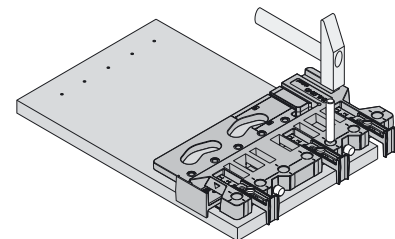


Universal drilling jig

- For marking or pre-drilling fixing holes for front fixing brackets including gallery and drawer back

Universal drilling jig

Part No. **ZML.0040**



Calibrated drilling gauge

- For determining carcass profile positions using the integrated calibration
- Ensures a precise and level fixing of carcass profiles (symmetrical)
- For pre-drilling carcass profiles fixing positions
- Ensures screws are fixed at a right angle

Drilling gauge

incl. 4 templates

Drilling diameter 2.5 mm

Part No. **T65.5000.01**

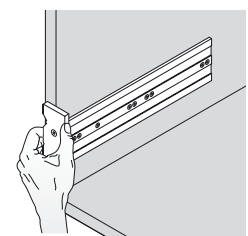
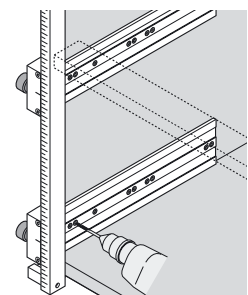
Drilling diameter 5 mm

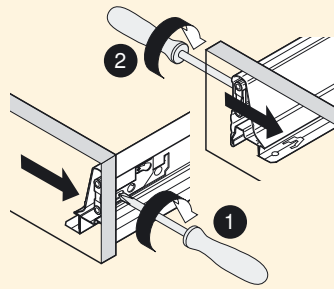
Part No. **T65.5000.10**

Drilling template

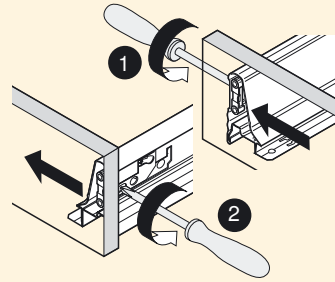
Drilling diameter 2.5 mm

Part No. **T65.5050**

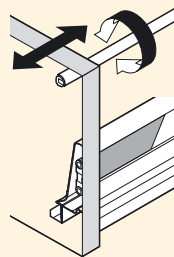




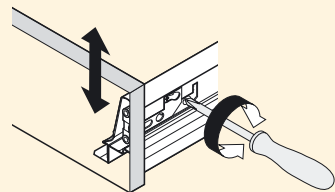
Easy and clearly visible – adjustment as required from factory setting.



Side front adjustment

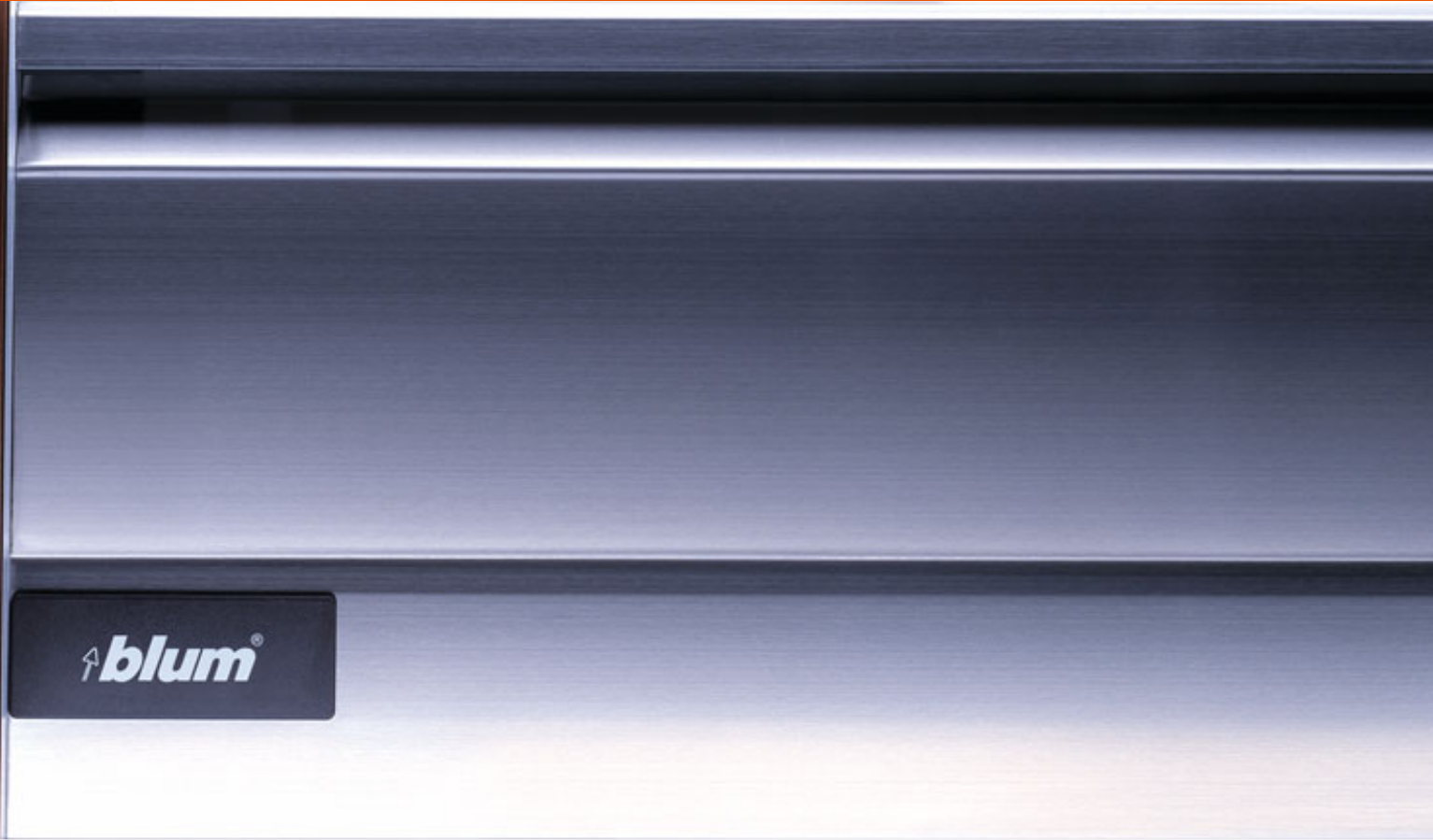


Front tilt adjustment



Exact gap image with the new and easy cam height adjustment

For your customers: Beautiful design, inside and out For you: Differentiation opportunities



We want you to have a choice

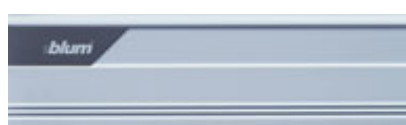
The new TANDEMBOX plus BLUMOTION gives you a choice. It provides you with a wide assortment of design options:

Do you want to match the white furniture fronts or the stainless steel electrical appliances?

The numerous materials, colours, heights as well as variants of TANDEMBOX ensure that you will have the greatest flexibility when realising your dreams and ideas.



Stainless steel (Inox) = I



Alu/Aluminium = EV1



Steel white = S W/G

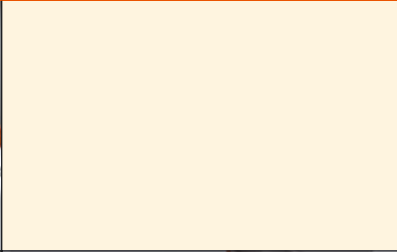


Steel grey = S WA/G

N Height

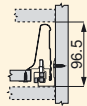
For drawers
Drawer side height = 68 mm

Min. space require-
ment in carcass in
mm



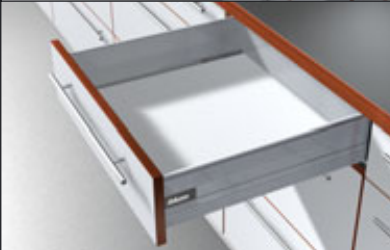
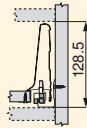
M Height

To suit standard drawers and inner
drawers
Drawer side height = 83 mm



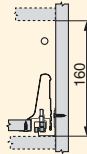
K Height

To suit standard drawers and inner
drawers
Drawer side height = 115 mm



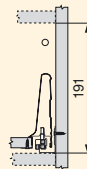
B Height

For high fronted pull-outs and inner
pull-outs
Drawer side height = 83 mm
Combined with gallery and high back



C Height

For high fronted pull-outs and inner
pull-outs
Drawer side height = 115 mm
Combined with gallery and high back



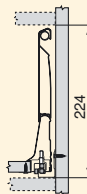
D Height

For high fronted pull-outs and inner
pull-outs
Drawer side height = 83 mm
Combined with double gallery and high
back



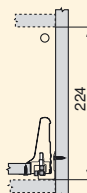
D Height

For high fronted pull-outs and inner
pull-outs
Drawer side height = 83 mm
Combined with gallery, high back and
BOXSIDE



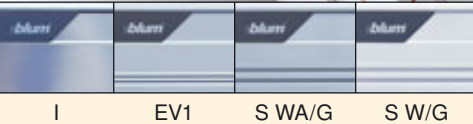
D Height

For high fronted pull-outs and inner
pull-outs
Drawer side height = 83 mm
Combined with gallery, high back and
glass BOXSIDE



Programme and ordering information for TANDEMBOX plus BLUMOTION

N Height



NL (mm)	 30 kg	 50 kg	
270			
350			
400	558.4001B		358N4002
450	558.4501B		358N4502
500	558.5001B		358N5002
550	558.5501B		358N5502
600			
650			

When ordering drawer sides, back brackets, rails and BOXSIDES, please enter the desired colour.

M Height



NL (mm)	 30 kg	 50 kg	
270	558.2701B		358M2702
350	558.3501B		358M3502
400	558.4001B		358M4002
450	558.4501B	559.4501B	358M4502
500	558.5001B	559.5001B	358M5002
550	558.5501B	559.5501B	358M5502
600		559.6001B	359M6002
650		559.6501B	359M6502

When ordering drawer sides, back brackets, rails and BOXSIDES, please enter the desired colour.


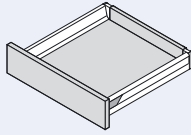



K Height

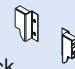
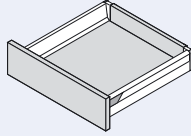



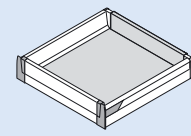




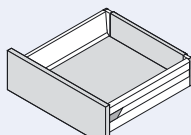



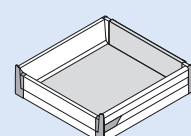


NL (mm)	 30 kg	 50 kg	
270			
350			
400	558.4001B		558K4002
450	558.4501B	559.4501B	558K4502
500	558.5001B	559.5001B	358K5002
550	558.5501B	559.5501B	358K5502
600		559.6001B	359K6002
650		559.6501B	359K6502

When ordering drawer sides, back brackets, rails and BOXSIDES, please enter the desired colour.

NL = nominal length

 Back fixing					
				 INSERTA  	2 x ZSF.3902 2 x ZSF.3502 2 x ZSF.3602
	Z30N000S				
	Z30N000S				
	Z30N000S				
	Z30N000S				

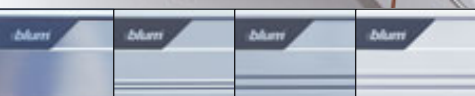
 Back fixing					
	Z30M000S			 INSERTA  	2 x ZSF.3902 2 x ZSF.3502 2 x ZSF.3602
	Z30M000S				
	Z30M000S				
	Z30M000S				
	Z30M000S			 Front fixing  Front section	ZIF.70M0 Z31A1081A
	Z30M000S				
	Z30M000S				

 Back fixing					
	Z30K000S			 INSERTA  	2 x ZSF.3902 2 x ZSF.3502 2 x ZSF.3602
	Z30K000S				
	Z30K000S			 Front fixing  Front section	ZIF.70K0 Z31A1081A
	Z30K000S				
	Z30K000S				

You can find ordering information for ORGA-LINE in the current Blum catalogue. You can request a catalogue at www.blum.com

Programme and ordering information for TANDEMBOX plus BLUMOTION

B Height



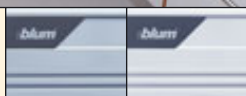
I EV1 S WA/G S W/G

NL (mm)	 30 kg	 50 kg		 80 kg	
270					
350	558.3501B		358M3502		
400	558.4001B		358M4002		
450	558.4501B	559.4501B	358M4502	557.4501A	357M4502
500	558.5001B	559.5001B	358M5002	557.5001A	357M5002
550	558.5501B	559.5501B	358M5502	557.5501A	357M5502
600		559.6001B	359M6002	557.6001A	357M6002
650		559.6501B	359M6502	557.6501A	357M6502

When ordering drawer sides, back brackets, rails and BOXSIDES, please enter the desired colour.

Please order the BLUMOTION optional part Z70.81E0 for the 80 kg runner.

C Height

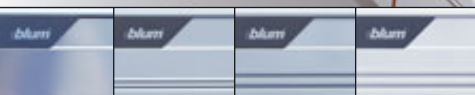


S WA/G S W/G

NL (mm)	 30 kg	 50 kg			
270					
350					
400	558.4001B		358K4002		
450	558.4501B	559.4501B	358K4502		
500	558.5001B	559.5001B	358K5002		
550	558.5501B	559.5501B	358K5502		
600		559.6001B	359K6002		
650		559.6501B	359K6502		

When ordering drawer sides, back brackets, rails and BOXSIDES, please enter the desired colour.

D Height



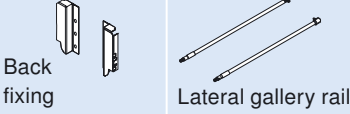
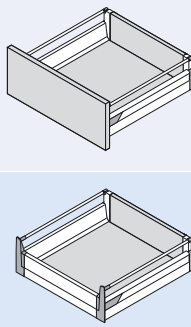
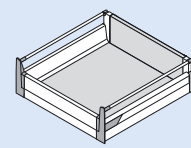






I EV1 S WA/G S W/G

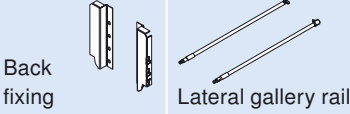
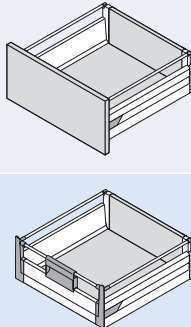
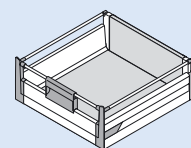




NL (mm)	 30 kg	 50 kg		 80 kg	
270					
350	558.3501B		358M3502		
400	558.4001B		358M4002		
450	558.4501B	559.4501B	358M4502	557.4501A	357M4502
500	558.5001B	559.5001B	358M5002	557.5001A	357M5002
550	558.5501B	559.5501B	358M5502	557.5501A	357M5502
600		559.6001B	359M6002	557.6001A	357M6002
650		559.6501B	359M6502	557.6501A	357M6502

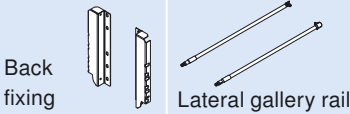
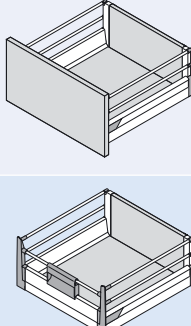
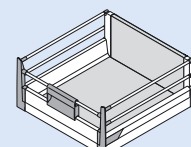




When ordering drawer sides, back brackets, rails and BOXSIDES, please enter the desired colour.

Please order the BLUMOTION optional part Z70.81E0 for the 80 kg runner.

NL = nominal length

					
Z30B000S	ZRG.296V.IC				INSERTA  2 x ZSF.3902  2 x ZSF.3502  2 x ZSF.3602
Z30B000S	ZRG.346V.IC				
Z30B000S	ZRG.396V.IC				
Z30B000S	ZRG.446V.IC				
Z30B000S	ZRG.496V.IC				
Z30B000S	ZRG.546V.IC				
Z30B000S	ZRG.596V.IC			 Front fixing ZIF.72B0  Front section Z31A1081A	

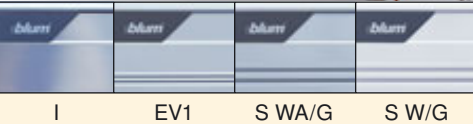
					
Z30C000S	ZRG.346V.IC				INSERTA  2 x ZSF.3902  2 x ZSF.3502  2 x ZSF.3602
Z30C000S	ZRG.396V.IC				
Z30C000S	ZRG.446V.IC				
Z30C000S	ZRG.496V.IC				
Z30C000S	ZRG.546V.IC				
Z30C000S	ZRG.596V.IC				

					
Z30D000S	2 x ZRG.296V.IC				INSERTA  2 x ZSF.3902  2 x ZSF.3502  2 x ZSF.3602
Z30D000S	2 x ZRG.346V.IC				
Z30D000S	2 x ZRG.396V.IC				
Z30D000S	2 x ZRG.446V.IC				
Z30D000S	2 x ZRG.496V.IC				
Z30D000S	2 x ZRG.546V.IC				

You can find ordering information for ORGA-LINE in the current Blum catalogue. You can request a catalogue at www.blum.com

Programme and ordering information for TANDEMBOX plus BLUMOTION

D Height



NL (mm)	 30 kg	 50 kg		 80 kg	
270					
350					
400					
450	558.4501B	559.4501B	358M4502	557.4501A	357M4502
500	558.5001B	559.5001B	358M5002	557.5001A	357M5002
550	558.5501B	559.5501B	358M5502	557.5501A	357M5502
600		559.6001B	359M6002	557.6001A	357M6002
650		559.6501B	359M6502	557.6501A	357M6502

When ordering drawer sides, back brackets, rails and BOXSIDes, please enter the desired colour.

Please order the BLUMOTION optional part for the 80 kg runner: Z70.81E0

D Height



NL (mm)	 30 kg	 50 kg		 80 kg	
270					
350					
400					
450	558.4501B	559.4501B	358M4502	557.4501A	357M4502
500	558.5001B	559.5001B	358M5002	557.5001A	357M5002
550	558.5501B	559.5501B	358M5502	557.5501A	357M5502
600		559.6001B	359M6002	557.6001A	357M6002
650		559.6501B	359M6502	557.6501A	357M6502

When ordering drawer sides, back brackets, rails and BOXSIDes, please enter the desired colour.

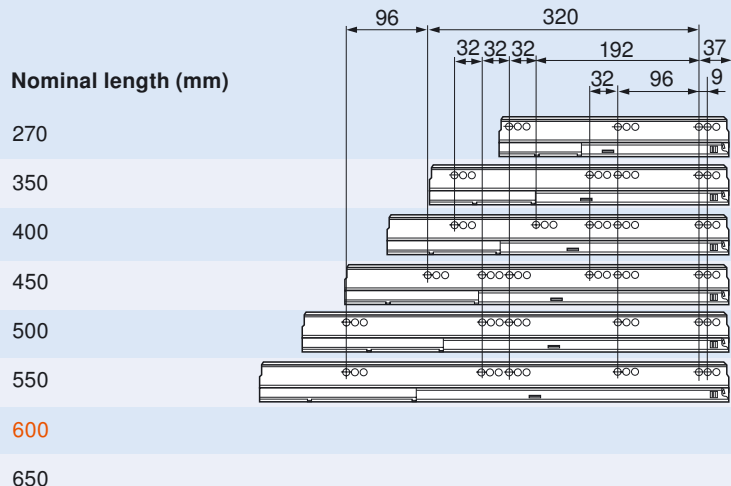
Please order the BLUMOTION optional part for the 80 kg runner: Z70.81E0

New:

Nominal length 600 mm

The complete TANDEMBOX plus BLUMOTION system is now also available in 600 mm lengths.

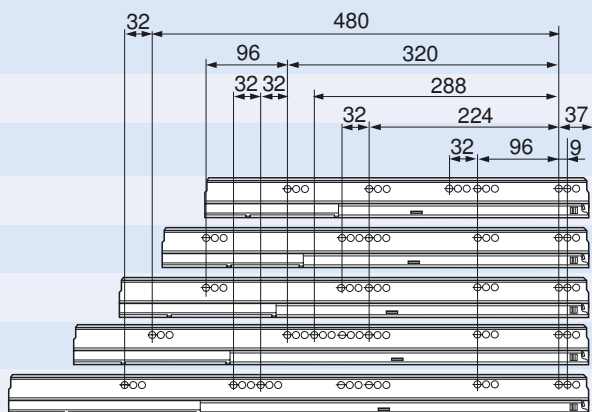
Complete with all associated ORGA-LINE systems and BOXSIDes. More lengths – more options!



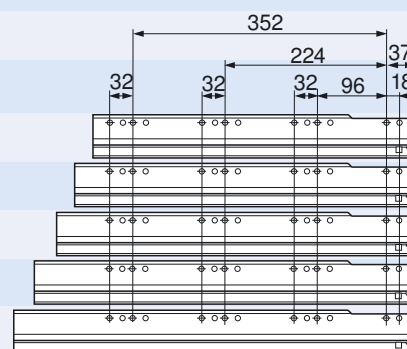
	Back fixing		Lateral gallery rail		BOXSIDE			
							INSERTA	2 x ZSF.3902 2 x ZSF.3502 2 x ZSF.3602
Z30D000S			ZRG.396V.IC		Z37H418			
Z30D000S			ZRG.446V.IC		Z37H468			
Z30D000S			ZRG.496V.IC		Z37H518			
Z30D000S			ZRG.546V.IC		Z37H568			
Z30D000S			ZRG.596V.IC		Z37H618			
							Front fixing	ZIF.73D0
							Front section	Z31A1081A
							Cross gallery	ZRG.1094U
							Handle	ZIF.7008

	Back fixing		Lateral gallery rail		Glass attach. parts			
							INSERTA	2 x ZSF.3902 2 x ZSF.3502 2 x ZSF.3602
Z30D000S			ZRG.396V.IC		Z36H000G3			
Z30D000S			ZRG.446V.IC		Z36H000G3			
Z30D000S			ZRG.496V.IC		Z36H000G3			
Z30D000S			ZRG.546V.IC		Z36H000G3			
Z30D000S			ZRG.596V.IC		Z36H000G3			
							Front fixing	ZIF.73D0
							Front section	Z31A1081A
							Cross gallery	ZRG.1094U
							Handle	ZIF.7008

You can find ordering information for ORGA-LINE in the current Blum catalogue. You can request a catalogue at www.blum.com



559.XXX1B – 50 kg



557.XXX1A – 80 kg

Perfecting motion



Reliable, safe, competent

Blum wants to be a reliable and competent partner for you: With the right products, useful services and competent contact partners.

The desires and needs of our customers are an important driving force for our business.

By engaging in a dialogue, we discover new opportunities to perfect motion together.

In this way, we can optimise and upgrade our products and services for our customers around the globe – thus benefiting everyone: furniture manufacturers, furniture sellers, furniture installers and furniture buyers.

Our decades-old philosophy is to provide global advantages to our customers.



Blum innovations have become milestones in furniture manufacturing. You also have a part in this by providing high quality furniture and providing inspiration to furniture users; through the successful integration of beauty and function.



Our goal is to make opening and closing furniture an emotional experience.

“Perfecting motion” is our motto. It incorporates everything that is the best about the Blum brand.

Blum U.K. Ltd.
Mandeville Drive
Kingston, Milton Keynes
GB-Buckinghamshire MK10 0AW
Tel.: 019 08/28 57 00
Fax: 019 08/28 57 01
E-mail: info.uk@blum.com

Julius Blum GmbH
Furniture Fittings Mfg.
A-6973 Hoechst, Austria
Tel.: +43/5578/705-0
Fax: +43/5578/705-44
E-mail: info@blum.com
www.blum.com

www.dynamicspace.com



by Blum

