
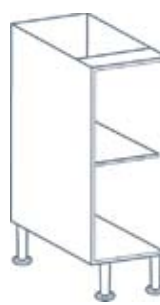



# Standard Flat Pack Base Unit Door Sizes

150mm base unit.  
720x560x150mm.  
Standard Door Size-  
715x146mm.



300mm base unit.  
720x560x300mm.  
Standard Door Size-  
715x296mm.



400mm base unit.  
720x560x400mm.  
Standard Door Size-  
715x396mm




500mm base unit.  
720x560x500mm.  
Standard Door Size-  
715x496mm.



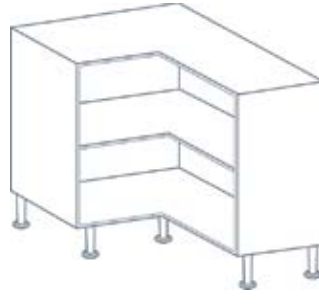
600mm base unit.  
720x560x600mm.  
Standard Door Size-  
715x596mm.




800mm base unit.  
720x560x800mm.  
Standard Door Sizes-  
Qty.2 - 715x396mm.



1000mm base unit.  
720x560x1000mm.  
Standard Door Sizes-  
Qty.2 - 715x496mm.



900x900mm L Shaped corner  
base unit. 720x900x900mm.  
Standard Door Sizes-  
Qty.2 - 715x313mm.  
Door sizes are appropriate  
for use with  
Blum 60° Bi-Fold Hinges.  
(no corner post) 2x 79T8500  
and 2x 170 hinges 71T6550.  
Softclose 973A6000



1000mm Corner base unit.  
720x560x1000mm.  
Standard Door Size-  
715x496mm (if having a  
500mm blank panel)

## Drawer Front Sizes - Combination of following to equal 715mm

Std Drawer Line - 140mm height drawer front  
with 570mm height door.

Std Height Drawer - 140mm x width of unit -4mm.

Std Height Pan Drawer - 285mm x width of unit -4mm.

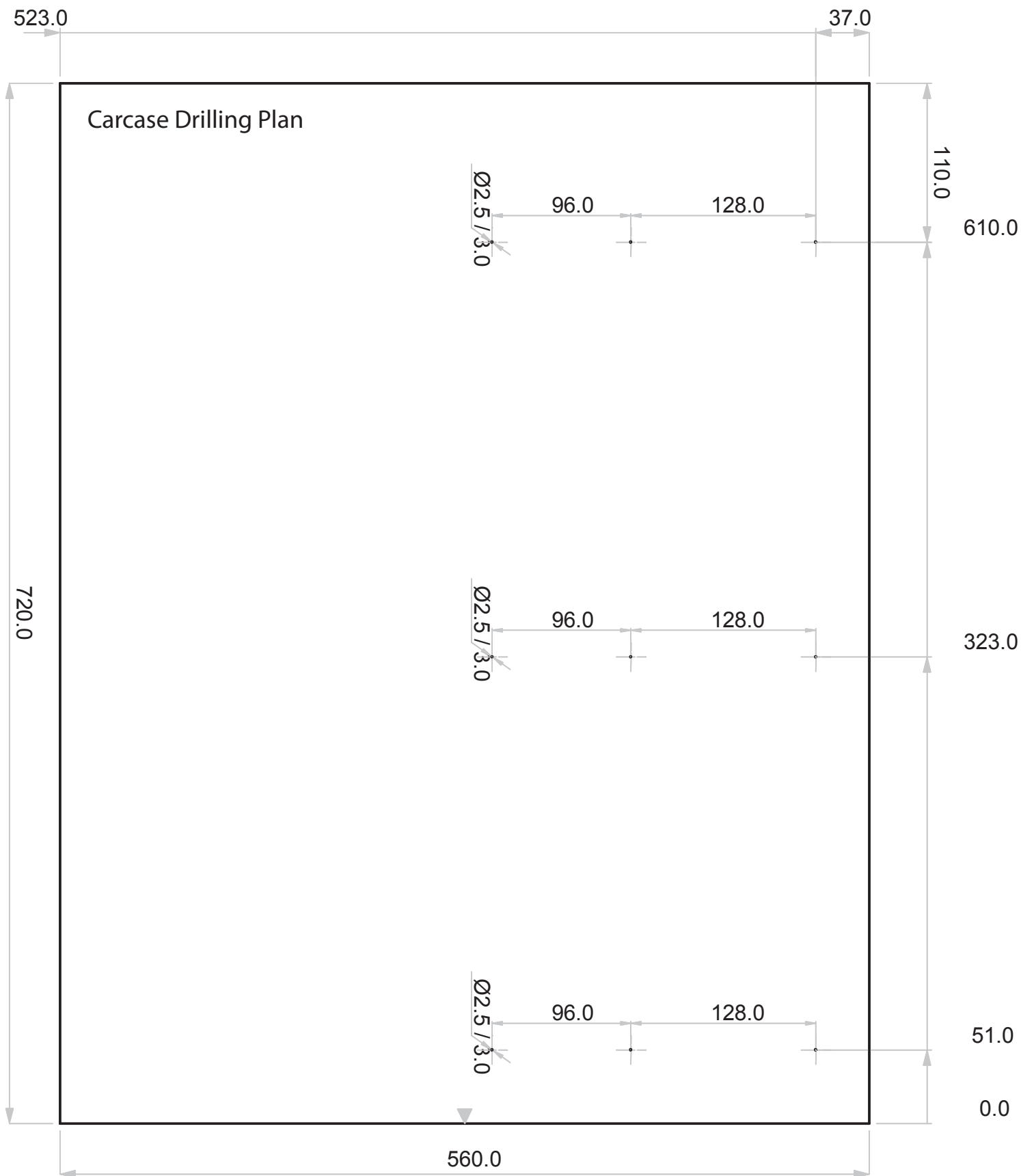
Std Height Medium Drawer - 175mm x width of unit -4mm.

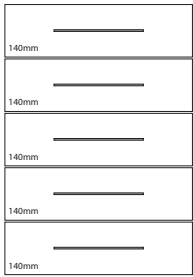
Extra Height Deep Drawer - 355mm x width of unit -4mm

|       |   |
|-------|---|
| 140mm | — |
| 285mm | — |
| 285mm | — |

# Drilling Plan - (1x 140mm) + (2x 285mm)

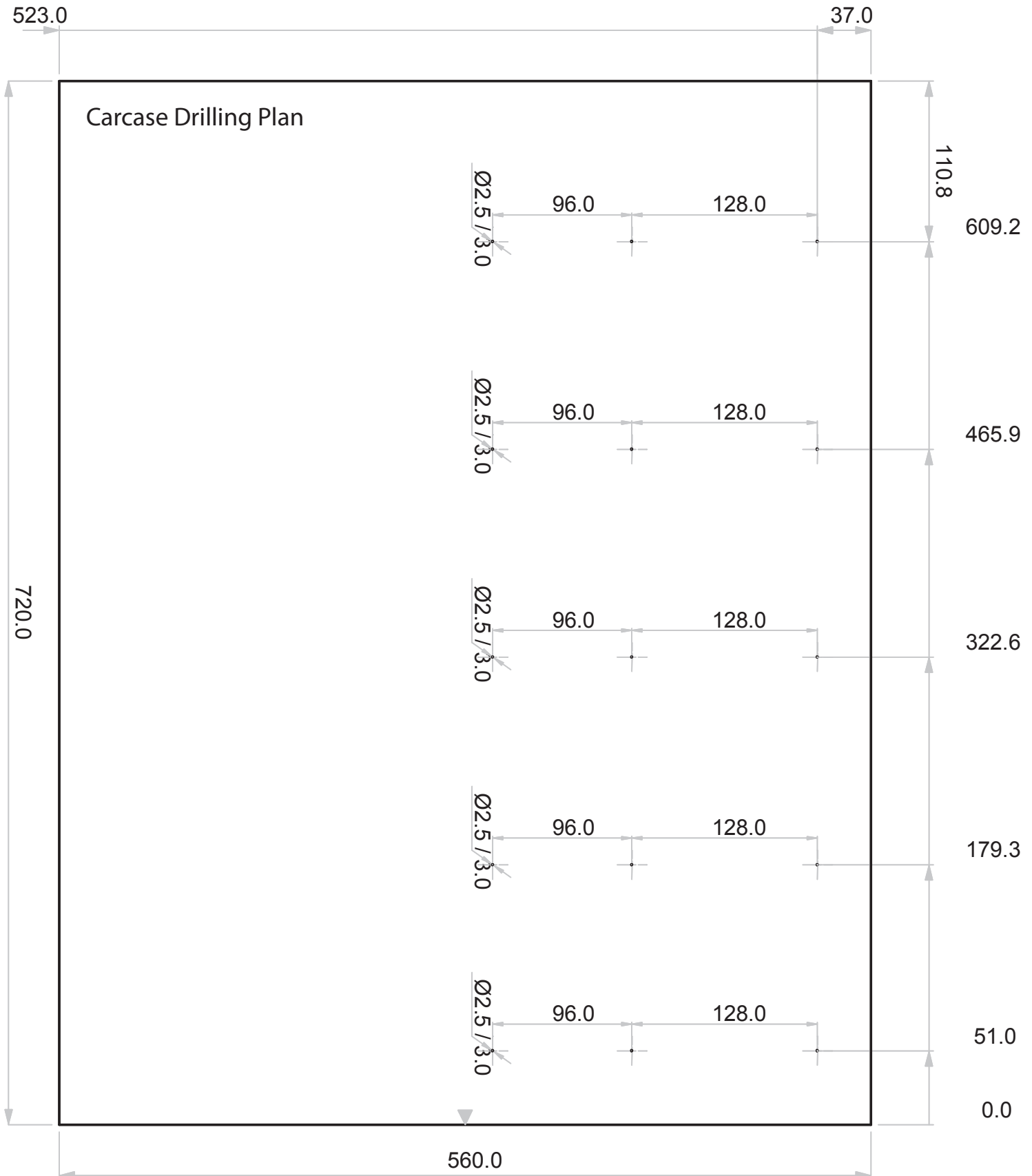
| Front Type                     | Pos    | Front Height | Drawer Front Drilling |      |       | Carcase Drilling |       |
|--------------------------------|--------|--------------|-----------------------|------|-------|------------------|-------|
|                                |        |              | Height                | Left | Right | Height           | Depth |
| Tandembox Blumotion (M Height) | 3      | 140.0        | 47.5                  | 31.5 | 31.5  | 610.0            | 37.0  |
| Tandembox Blumotion (D Height) | 2      | 285.0        | 47.5                  | 31.5 | 31.5  | 323.0            | 37.0  |
| Tandembox Blumotion (D Height) | Bottom | 285.0        | 62.5                  | 31.5 | 31.5  | 51.0             | 37.0  |





# Drilling Plan - (5x 140mm)

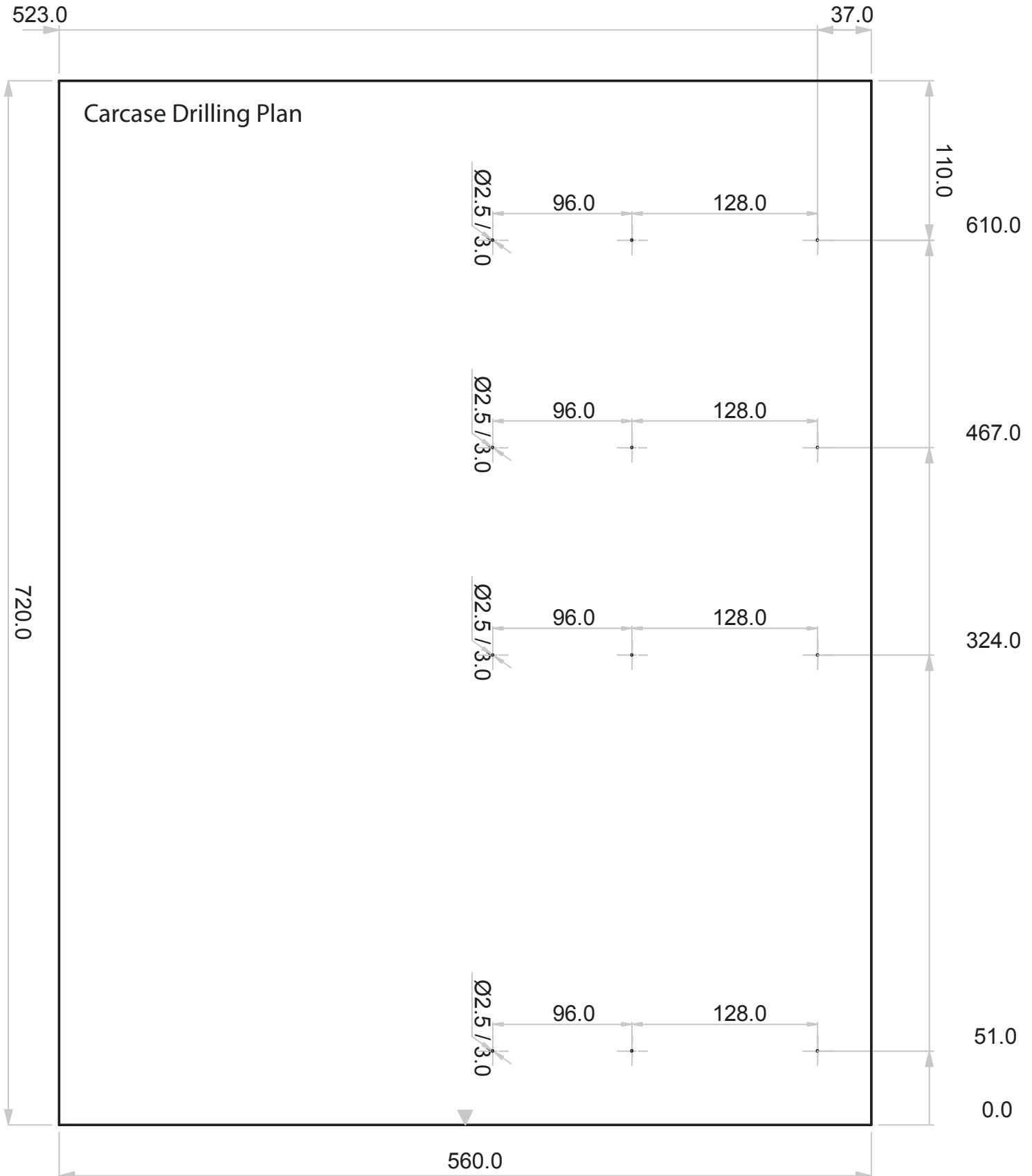
| Front Type                     | Pos    | Front Height | Drawer Front Drilling |      |       | Carcase Drilling |       |
|--------------------------------|--------|--------------|-----------------------|------|-------|------------------|-------|
|                                |        |              | Height                | Left | Right | Height           | Depth |
| Tandembox Blumotion (M Height) | 5      | 140.0        | 47.5                  | 31.5 | 31.5  | 609.2            | 37.0  |
| Tandembox Blumotion (M Height) | 4      | 140.0        | 47.5                  | 31.5 | 31.5  | 465.9            | 37.0  |
| Tandembox Blumotion (M Height) | 3      | 140.0        | 47.5                  | 31.5 | 31.5  | 322.6            | 37.0  |
| Tandembox Blumotion (M Height) | 2      | 140.0        | 47.5                  | 31.5 | 31.5  | 179.3            | 37.0  |
| Tandembox Blumotion (M Height) | Bottom | 140.0        | 62.5                  | 31.5 | 31.5  | 51.0             | 37.0  |

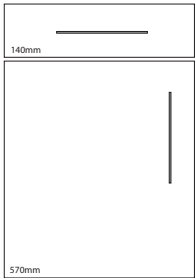


|       |   |
|-------|---|
| 140mm | — |
| 140mm | — |
| 140mm | — |
| 285mm | — |

# Drilling Plan - (3x 140mm) + (1x 285mm)

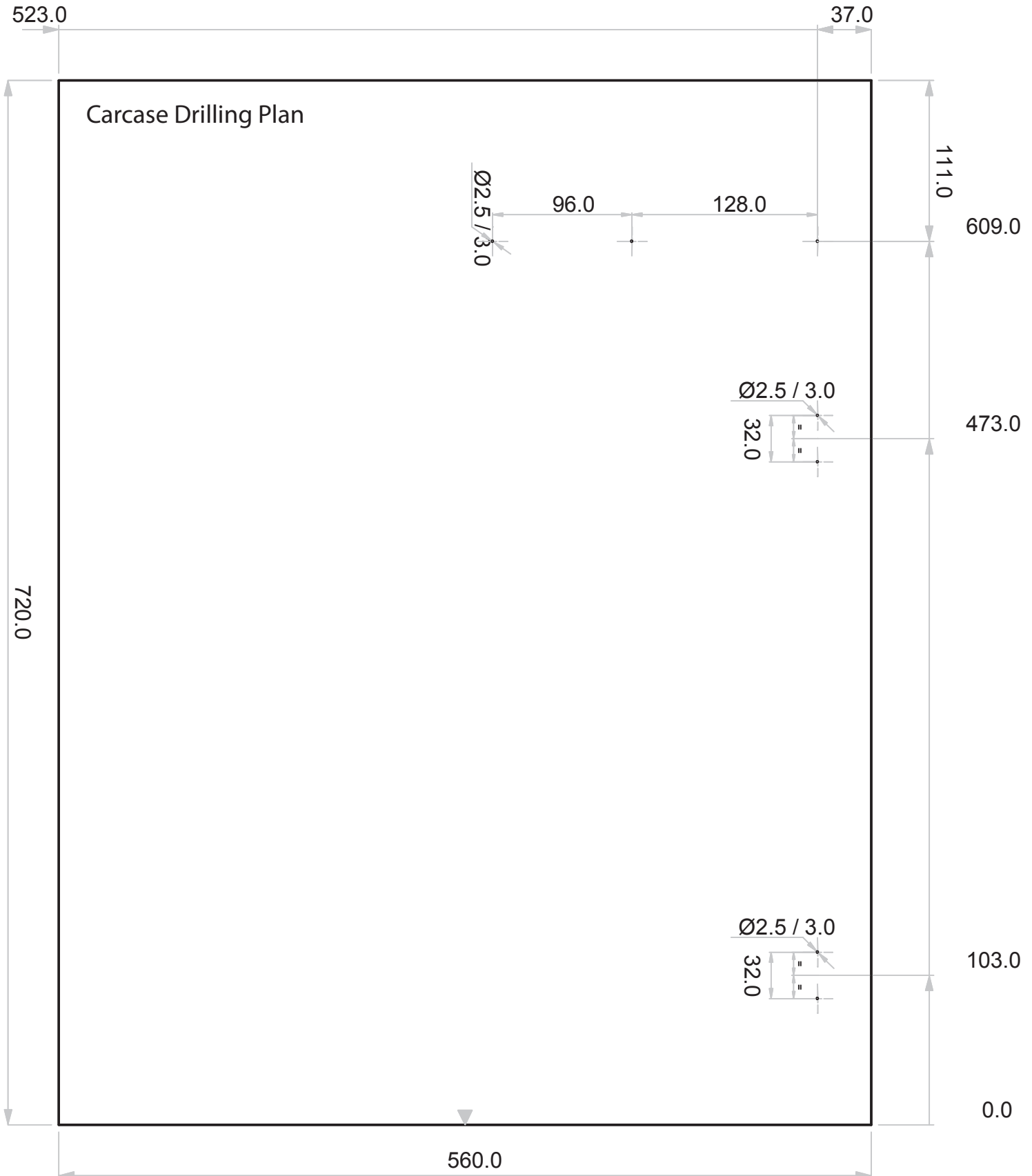
| Front Type                     | Pos    | Front Height | Drawer Front Drilling |      |       | Carcase Drilling |       |
|--------------------------------|--------|--------------|-----------------------|------|-------|------------------|-------|
|                                |        |              | Height                | Left | Right | Height           | Depth |
| Tandembox Blumotion (M Height) | 4      | 140.0        | 47.5                  | 31.5 | 31.5  | 610.0            | 37.0  |
| Tandembox Blumotion (M Height) | 3      | 140.0        | 47.5                  | 31.5 | 31.5  | 467.0            | 37.0  |
| Tandembox Blumotion (M Height) | 2      | 140.0        | 47.5                  | 31.5 | 31.5  | 324.0            | 37.0  |
| Tandembox Blumotion (D Height) | Bottom | 285.0        | 62.5                  | 31.5 | 31.5  | 51.0             | 37.0  |

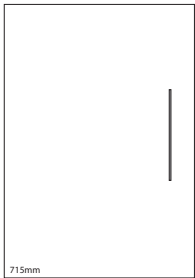




# Drilling Plan - (1x 140mm) + (1x 570mm)

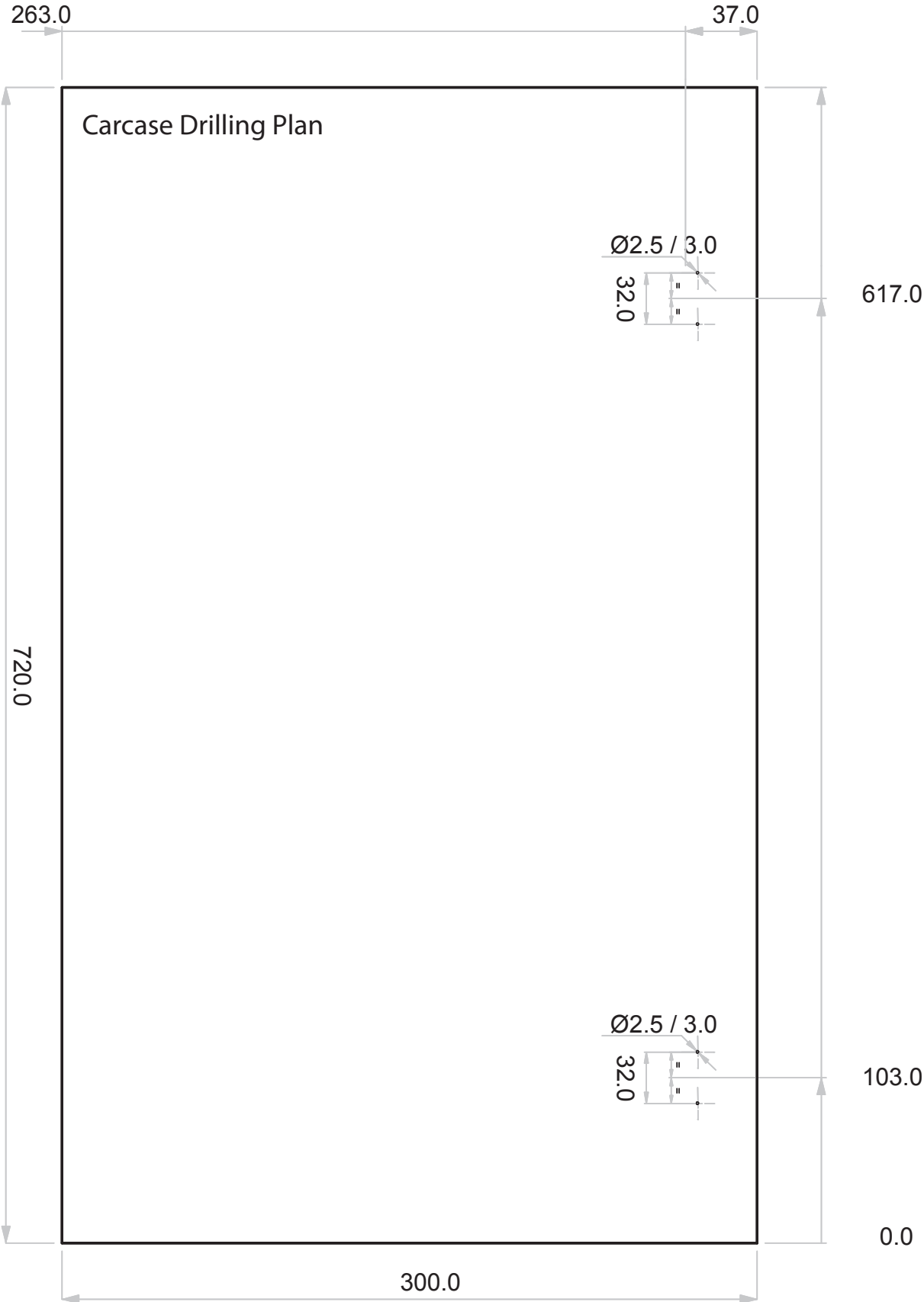
| Front Type                     | Pos    | Front Height | Drawer Front Drilling |      |       | Carcase Drilling |       |
|--------------------------------|--------|--------------|-----------------------|------|-------|------------------|-------|
|                                |        |              | Height                | Left | Right | Height           | Depth |
| Tandembox Blumotion (M Height) | 2      | 140.0        | 47.5                  | 31.5 | 31.5  | 609.0            | 37.0  |
| 570mm Door                     | Bottom | 570.0        | 470.0                 | -    | 22.5  | 473.0            | 37.0  |
|                                |        |              | 100.0                 | -    | 22.5  | 103.0            | 37.0  |



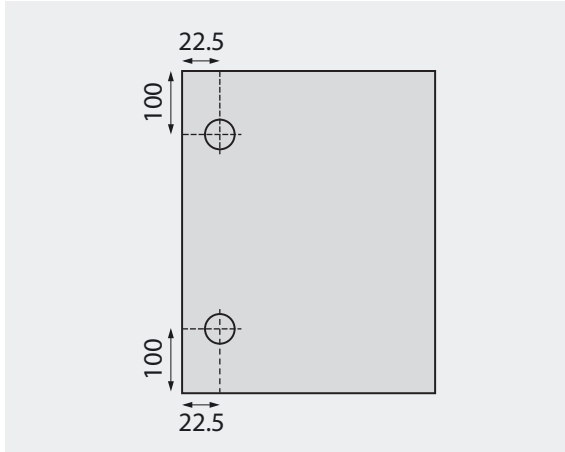


# Drilling Plan - Wall Unit (1x 570mm)

| Front Type | Pos    | Carcase Drilling |       |
|------------|--------|------------------|-------|
|            |        | Height           | Depth |
| 715mm Door | Bottom | 617.0            | 37.0  |
|            |        | 103.0            | 37.0  |

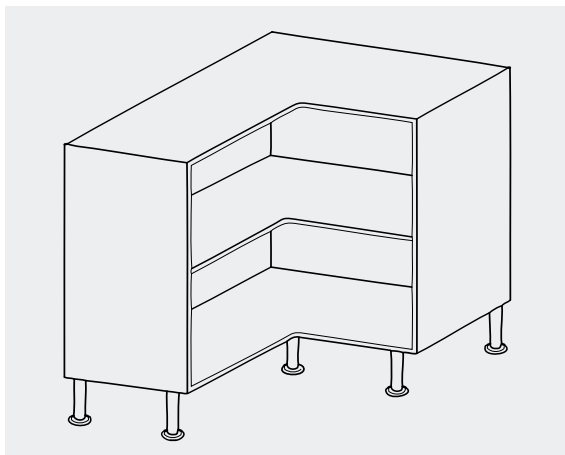


# Hinge Specifications



## Door Hinge Hole Positions

All Measurements in mm to center of hinge holes



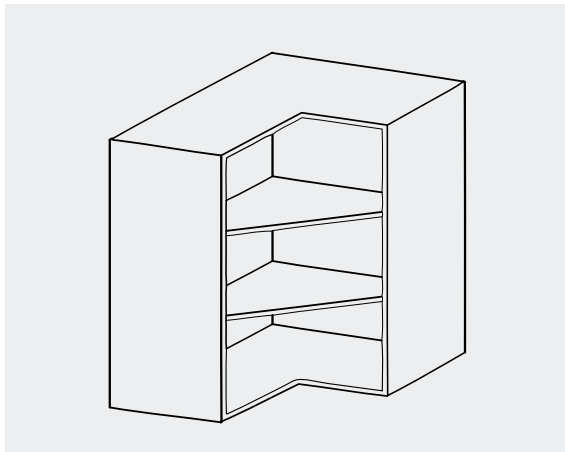
## 900mm L Shape Corner Unit

Hinges Required:

2x 170° Hinge - 71T6550

2x 60° Bi-Fold Hinge - 79T8500

4x Backplates - 173L8100



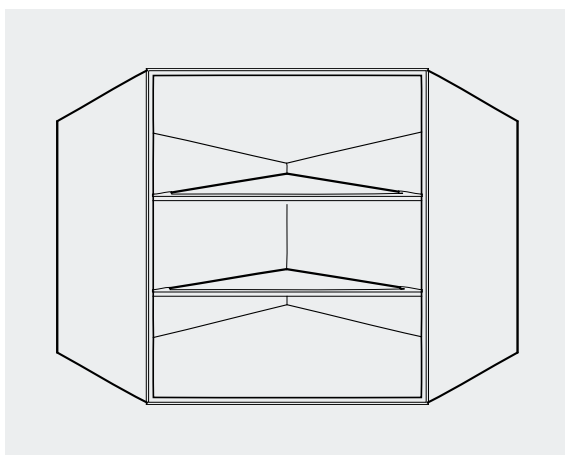
## 600mm L Shape Corner Unit

Hinges Required:

2x 170° Hinge - 71T6550

2x 60° Bi-Fold Hinge - 79T8500

4x Backplate - 173L8100



## 600mm Cross Corner Unit

Hinges Required:

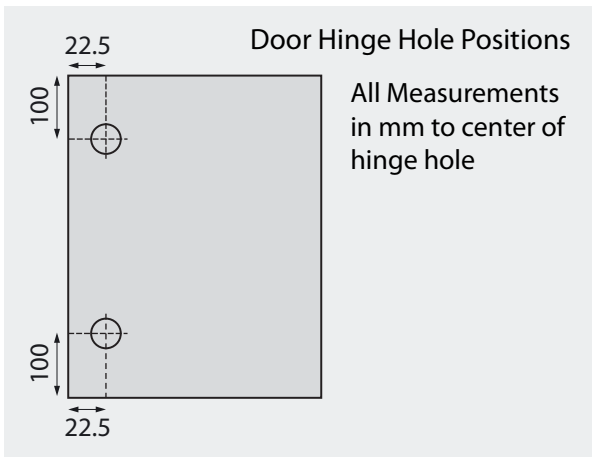
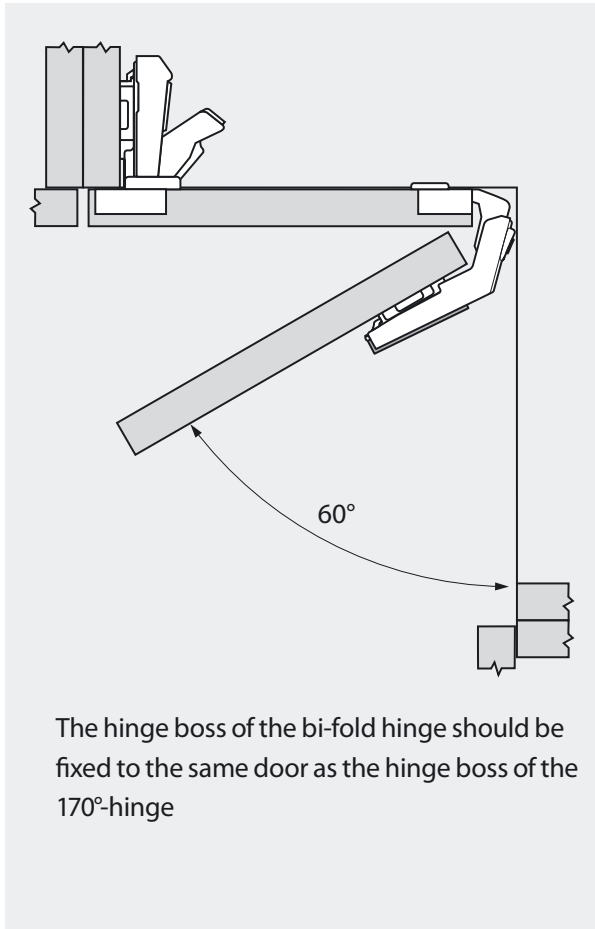
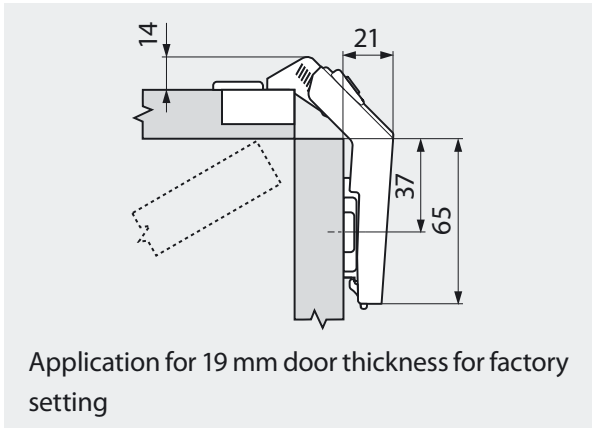
2x 45° Hinge - 79T5550

2x Backplate - 173L8100

# Bi-Fold Hinge Specification

## Planning

Hinge dimensions and gap calculation based on factory setting (mounting plate spacing = 0 mm)



**Adjustments**

|   |  |   |   |
|---|--|---|---|
| <p>Height adjustment<br/>Max. <math>\pm 3</math> mm<br/>See mounting plates</p> | <p>Side Adjustment<br/>+ 3 mm<br/>- 2 mm</p> | <p>Depth adjustment<br/><math>\pm 2</math> mm</p> | <p>Gap adjustment<br/>+ 7.2 mm<br/>- 4.2 mm</p> |
|---|--|---|---|

